

Q TRU-BALANCE[®] 3

BASIC OPERATION INSTRUCTIONS



QUANTUM[®]

PROVIDING GREATER INDEPENDENCE

SAFETY GUIDELINES

WARNING!

A Quantum Rehab Provider or a qualified technician must perform the initial setup of this power chair and must perform all of the procedures in this manual.

The symbols below are used throughout this owner's manual and on the power chair to identify warnings and important information. It is very important for you to read them and understand them completely.

WARNING!

Indicates a potentially hazardous condition/situation. Failure to follow designated procedures can cause either personal injury, component damage, or malfunction. On the product, this icon is represented as a black symbol on a yellow triangle with a black border.

MANDATORY!

These actions should be performed as specified. Failure to perform mandatory actions can cause personal injury and/or equipment damage. On the product, this icon is represented as a white symbol on a blue dot with a white border.

PROHIBITED!

These actions are prohibited. These actions should not be performed at any time or in any circumstances. Performing a prohibited action can cause personal injury and/or equipment damage. On the product, this icon is represented as a black symbol with a red circle and red slash.

Intended Use

A wheelchair component is a device intended for medical purposes that is generally sold as an integral part of a wheelchair, but may also be sold separately as a replacement part.

Regarding Devices for Prescription Use

WARNING!

CAUTION! Federal law restricts this device to sale by or on the order of a physician or other certified personnel licensed by the law of the State (US only) or region in which this personnel practices to use or order the use of the device.

NOTE: These instructions are compiled from the latest specifications and product information available at the time of publication. We reserve the right to make changes as they become necessary. Any changes to our products may cause slight variations between the illustrations and explanations in this manual and the product you have purchased. The latest/current version of this manual is available on our website.

NOTE: This product is compliant with WEEE, RoHS, and REACH directives and requirements.

NOTE: This product meets IPX4 classification (IEC 60529).

NOTE: This product and its components are not made with natural rubber latex. Consult with the manufacturer regarding any after-market accessories.



Table of Contents

Product Safety Symbols 4

TRU-Balance® 3 Power Positioning System..... 4

Precautionary Guidelines 4

Operating the TRU-Balance® 3 Power Positioning System..... 6

Range of Motion 6

iLevel® Feature 7

Flip-forward Back..... 9

Armrest Options 10

Optional Toggle Operation 15

Transfers 16

Controller Position 16

Seatback..... 18

TRU-Comfort 18

Installation and Use 18

Cleaning 19

Lateral Adjustment..... 20

Headrest Adjustment..... 22

Storage 22

Care and Maintenance 22

Warranty 23

Language Usage

This owner’s manual is intended for distribution in all English-speaking countries where our Power Chairs are sold. We have chosen to compose this manual using language and spellings common to the USA. Since we recognize that not all English-speaking countries use the same words or spellings, please refer to the following chart for some common word variations that may be encountered throughout this manual.

USA	Variation
asphalt	tarmac
authorized	authorised
backward(s)	rearward(s)
caster	castor
center	centre
color	colour
cord	lead
counterclockwise	anticlockwise
curb	kerb
elevator	lift
labor	labour
meter	metre
path	bridleway; footpath
pocketbook	handbag
provider	dealer; agent
sidewalk	pavement
tire	tyre
trunk	boot
turn signal	turn indicator
wrench	spanner
yard	grounds

Product Safety Symbols

The symbols below are used on the power chair to identify warnings, mandatory actions, and prohibited actions. It is very important for you to read and understand them completely.



Read and follow the instructions in the owner's manual.



Avoid exposure to rain, snow, ice, salt, or standing water whenever possible. Maintain and store in a clean and dry condition.



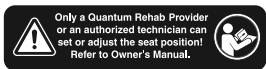
EMI/RFI—This product has been tested and passed at an immunity level of 20V/m.



Maximum seating weight



Pinch/Crush points exist.



Consult your Quantum Rehab Provider before making any changes to your seating system configuration.



Do not expose to heat sources such as open flame or sparks.



No smoking



Cover only—Maximum washing temperature 60°C (140°F)



Do not tumble dry.



Do not iron.



Do not bleach.

The TRU-Balance® 3 Power Positioning System

The TRU-Balance 3 Power Positioning System is a unique seating system designed specifically for the Quantum Power Chair. It is fully adjustable to meet the individual needs of the user, and it is mounted to a Quantum power base to provide maximum maneuverability.

Reusable hook and loop fasteners are included in your owner's package for use in attaching the seat cushion to the seat base. These fasteners are not intended for use on cushions with anti-skid material, as they may damage the seat cushion.

Figure 1 provides information on the TRU-Balance 3 Power Positioning System components shown with a TRU-Comfort back. The components of the TRU-Comfort back are described in "TRU-Comfort Components" (**figure 22**). Use these diagrams to familiarize yourself with the function and location of each component before using the TRU-Balance 3 Power Positioning System.

NOTE: *This manual will discuss toggle operations only. Refer to the manual that was supplied with your controller for information on joystick and attendant control operation. If your TRU-Balance 3 Power Positioning System is equipped with a different operating device, refer to the operation manual supplied with that device and/or your power chair owner's manual.*

Precautionary Guide

Before operating the TRU-Balance 3 Power Positioning System, please read the following. These guidelines are provided for your benefit and will aid you in the safe operation of the seating system.

- Turn off the power before you are seated in the TRU-Balance 3 Power Positioning System.
- Always have assistance when you are being seated in the TRU-Balance 3 Power Positioning System.
- Follow all of the procedures and heed the warnings as explained in your power chair owner's manual and Consumer Safety Guide.

⚠ WARNING!

The center of gravity of your seating system was factory set to a position that meets the needs of the demographic majority of users. Your Quantum Rehab Provider has evaluated your seating system and made any necessary adjustments to suit your specific requirements. Do not change your seating configuration without first contacting Quantum or your Quantum Rehab Provider.

Should the fittings on your seating system become loose, report the problem immediately to your Quantum Rehab Provider.

In the event of a loss of power to the power chair, transfer to a safe position, seeking assistance if needed. Contact your Quantum Rehab Provider immediately to report the incident.

Your seating system is not approved for use as a seat in any vehicle. Use the seats and occupant restraints provided by the manufacturer of the vehicle.

Quantum Rehab strongly recommends that you do not smoke cigarettes while seated in your seating system although the seating system has passed the necessary testing requirements for cigarette smoking. You must adhere to the following safety guidelines if you decide to smoke cigarettes while seated in your seating system.

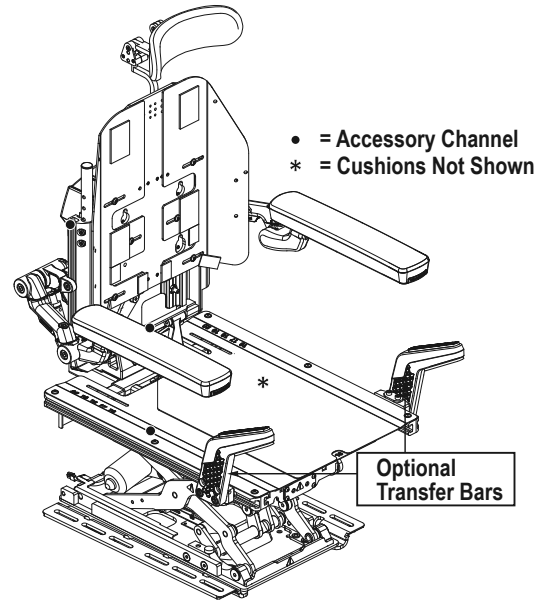
- Do not leave lit cigarettes unattended.
- Keep ashtrays a safe distance from the seating system.
- Always make sure cigarettes are completely extinguished before disposal.

⊘ PROHIBITED!

Avoid exposure to rain, snow, ice, salt, or standing water whenever possible. Maintain and store in a clean and dry condition.

■ MANDATORY!

Do not exceed the weight capacity of your power chair or 450 lbs. (204 kg), whichever is less.



Armrests

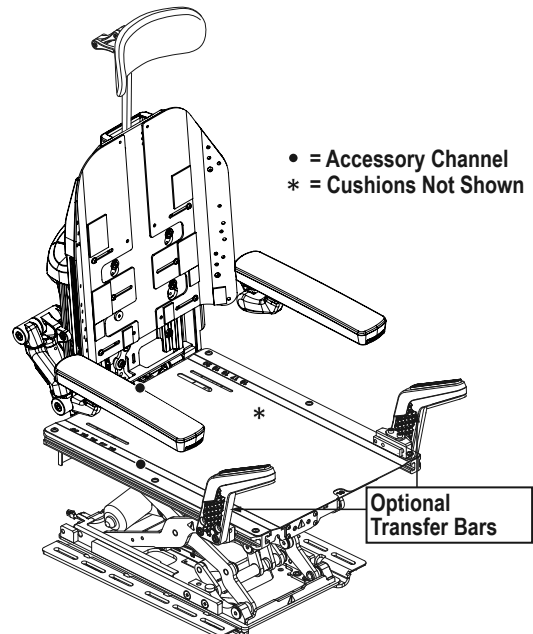
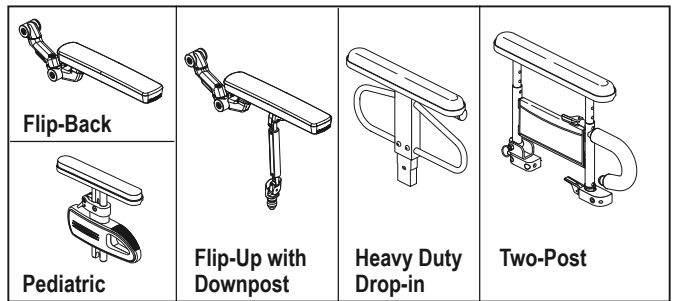


Figure 1. TRU-Balance 3 Power Positioning Components

Operating the TRU-Balance® Power Positioning System

The TRU-Balance 3 Power Positioning System is equipped with a width-adjustable seatback and can be operated through a controller, a specialty controller, or a toggle (see figure 15).

Range of Motion

Your TRU-Balance 3 Seating System provides up to 50° of tilt, 12 in. (30.5 cm) of lift, can recline 85°–175°, and can tilt/recline up to 175°. See figure 2.

NOTE: Certain configurations of a TRU-Balance 3 Power Tilt and Quantum power bases have a maximum tilt angle of less than 50°.

There is a power inhibit on your TRU-Balance 3 Power Positioning System which will not allow you to drive your power chair while in the tilt position. A full drive inhibit will activate at a predetermined factory-programmed tilt angle. See figure 3.

⚠ WARNING!

Do not attempt to bypass, remove, reprogram, and/or adjust the full or partial inhibits that are programmed at factory settings. Failure to heed this warning may result in injury.

Check the immediate area to ensure nothing is trapped in the mechanism before operating the tilt, recline, and/or lift features. Keep clear prior to and during movement.

NOTE: The addition of an optional vent tray to your TRU-Balance 3 Power Positioning System may change the overall weight, size, and/or center of gravity of your power chair. Do not make any changes to your seating configuration without contacting your Quantum Rehab Provider.

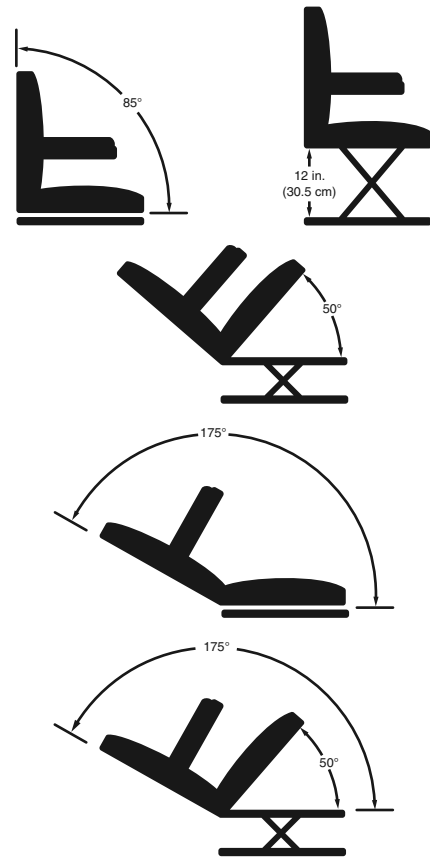


Figure 2. TRU-Balance® 3 Power Positioning System Range of Motion

	Elevated	Tilted more than 20°	Reclined more than 20°	Tilt/reclined more than 125°
Recline Lockout				X
Tilt Lockout				X
Elevate Lockout		X	X	X
1/4 Speed	X			
Full Drive Lockout		X	X	X
iLevel	X			

Figure 3. Inhibit Matrix

iLevel® Feature (Optional)

Your power chair may be equipped with the iLevel feature that will be used in conjunction with your TRU-Balance 3 Power Positioning System. The iLevel feature is mounted on a Quantum power base for maximum stability when the seating is elevated. See figure 4.

NOTE: If your power chair is equipped with a TRU-Balance 3 Power Positioning System, refer to the information provided in the operation manual included in your owner's package.

MANDATORY!

Before operating the iLevel feature, read the following. These guidelines are provided for your benefit and will aid you in the safe operation of the iLevel feature.

- Turn off the power before you are seated in your power chair.
- Always have assistance when you are being seated in or transferring to your power chair.
- Follow all of your procedures and heed the warnings as explained in this owner's manual, supplemental manuals, and the Consumer Safety Guide.

WARNING!

The center of gravity of your power chair was factory set to a position that meets the needs of the demographic majority of users. Your Quantum Rehab Provider has evaluated your power chair and made any necessary adjustments to suit your specific requirements. Do not change your seating configuration without first contacting Pride/Quantum or your Quantum Rehab Provider.

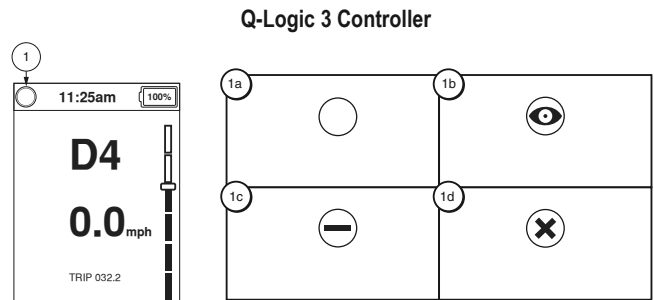
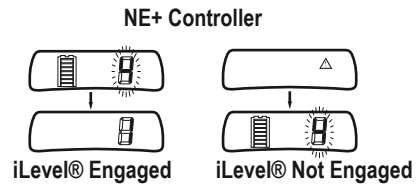
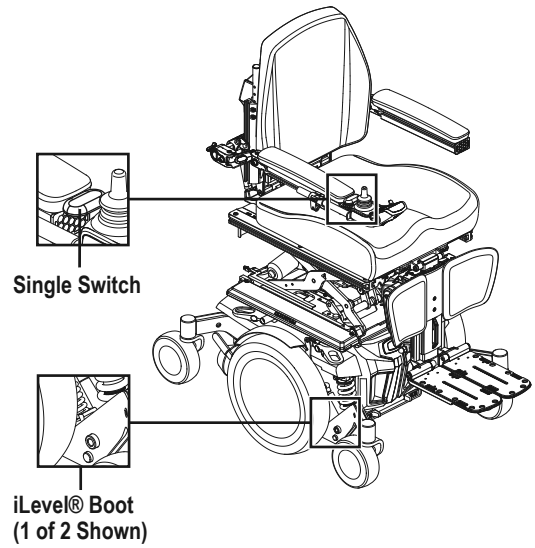
Some power chair components are heavy. You may need assistance to lift or carry them. Please refer to the specifications table for specific component weights before you disassemble the power chair.

Remove the occupant from the power chair before making any adjustments.

NOTE: The iLevel feature is automatically engaged when the power elevating seat is activated and the iLevel indicator is displayed on your controller.

The iLevel feature is accessed through the controller or single switch, and the power chair must be on a flat, level surface to activate iLevel. Once the seating system actuator is started, the iLevel boots (see figure 4) inhibit movement of the front caster wheels and restrict the power chair to 1 in.–1.5 in. (2.54 cm–3.81 cm) of climbing ability. The seating system can be reclined or tilted up to 20° while the iLevel feature is activated.

NOTE: For more information on the iLevel warning displays, refer to the basic operation instructions for your controller.



- Q-Logic 3 Controller Indicators**
- 1a—No Restrictions
 - 1b—Safe Elevation
 - 1c—Reduce Speed Restrictions
 - 1d—Full Drive Lockout

Figure 4. TRU-Balance 3 with iLevel Feature and Controller Indicators

To activate the iLevel using a single switch:

1. Press and hold the single switch once to raise the seat and activate iLevel.
2. Press and hold the single switch once to lower the seat.

⚠ WARNING!

Do not operate the iLevel or change the seat height in any way while your power chair is positioned under a fixed object, such as a table or a desk. Keep area clear prior to and during movement.

The iLevel feature should be used only on flat, level, indoor surfaces, such as in malls, offices, and/or medical facilities, and only on limited, flat, level, hardscape, outdoor surfaces.

While the iLevel feature is in use, the power chair can drive at a predetermined, safe speed. Refer to the specifications table for more information on reduction of the maximum speed.

⚠ WARNING!

The iLevel feature should only be used on flat, level, indoor surface, such as in malls, offices, and/or medical facilities. Never raise the seat from its lowest position on an inclined surface. Failure to heed this warning can result in the power chair tipping over.

The iLevel feature is intended for limited outdoor use on only flat, level, hardscape surfaces. If you are unsure of your environment, do not use iLevel outdoors.

Never raise the seat into iLevel when operating your power chair on bumpy or uneven surfaces. Failure to heed this warning can result in the power chair tipping over.

Always fasten the positioning belt when operating the power chair.

⊘ PROHIBITED!

Never use the iLevel feature outdoors on uneven terrain (gravel, hills or other uneven, noncompact terrain) or in fields.

NOTE: The iLevel feature is equipped with a system that allows the power chair to drive at a predetermined, safe speed when the seat is elevated. Always check to be sure this system is operating properly before using your power chair.

NOTE: If a warning or visual indicator appears on your controller stating that iLevel is not engaged, the power chair's speed will be reduced to 25% when elevated. If this warning appears while on level ground, please discontinue use of iLevel feature and consult your Quantum Rehab Provider for assistance.



Flip-forward Back (Optional)

The flip-forward back allows the user to flip the seatback forward for easier transportation. **See figure 5.** Your seating system may be equipped with one of two flip-forward backs.

To flip the seatback forward:

1. Remove the back pan.
2. Remove the detent pin (**see figure 6**) OR rotate the release lever on both back canes toward the rear of the seat to disengage the back. **See figure 7.**
3. Fold the seatback down.

To return the seatback to an upright position:

1. Lift the seatback up and place in the upright position.
2. Reinstall the detent pin and ensure all components are secure (**see figure 6**) OR rotate the release lever on both back canes toward the front of the seat to latch the back canes. Ensure a red sticker on the release lever is not visible. **See figure 7.**
3. Reinstall the back pan.

WARNING!

Ensure the detent pin is properly inserted OR the release lever is properly latched before sitting in your power chair.

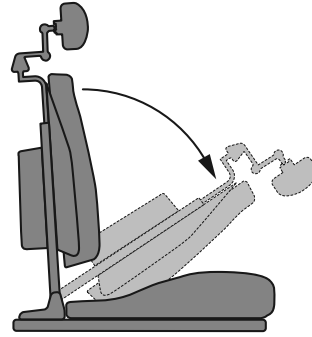


Figure 5. Flip-forward Back (Disengaged)

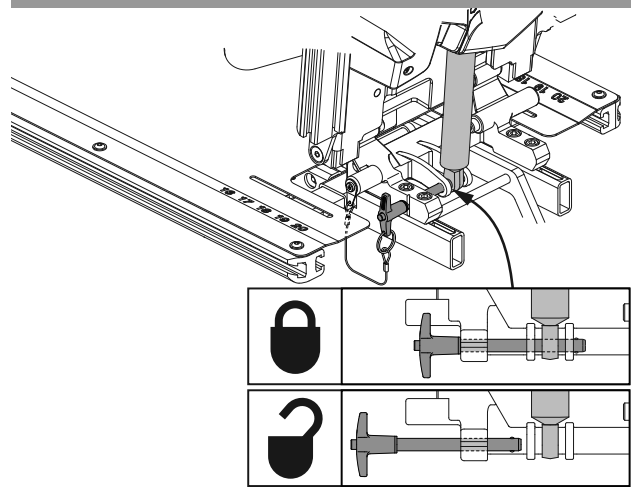


Figure 6. Flip-forward Back (Detent Pin)

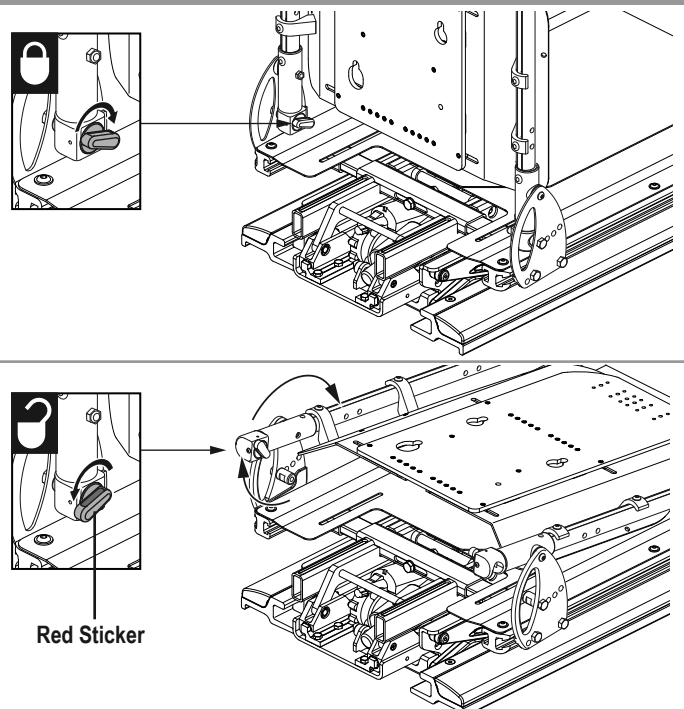


Figure 7. Flip-forward Back (Release Lever)

Armrest Options

The following sections will describe armrest options and the comfort adjustments that can be made to them. Not all armrest options are available on all TRU-Balance 3 Power Positioning Systems.

NOTE: Do not make any changes to your seating configuration without contacting your Quantum Rehab Provider.

You may need the following to make comfort adjustments:

- 4 mm hex head wrench
- 5 mm hex head wrench
- 6 mm hex head wrench
- 8 mm hex head wrench
- 13 mm open wrench
- 18 mm open wrench

WARNING!

Do not attempt to lift or move your power chair or seating system by any of its removable parts, including the armrest(s), front rigging(s), seat cushions, seatback, shrouds, or controller. Use only solid, non-removable frame components to lift or move your power chair or seating system.

Avoid putting all of your weight on the power chair armrests and do not use the armrests for weight-bearing purposes, such as transfers. Such use may cause the power chair to tip, resulting in a fall from the power chair and personal injury.

The controller and controller bracket are non-load bearing items on your seating system. Do not use the controller or controller bracket for weight-bearing purposes, such as transfers. Such use may cause damage to these components, resulting in a fall from the seating system and personal injury.

Flip-Up Armrests

The Flip-up Armrests are designed to “flip up” out of the way for easier transfer onto and off of the power chair. The armrest height, angle, width, and swing can be adjusted.

NOTE: Changing the armrest height also changes the armrest angle. We recommend adjusting the armrest height first then adjusting the armrest angle.

To adjust the armrest height:

1. Ensure armrest is flipped up to at least a 95° angle from the seat pan for height adjustment.
2. Loosen rear screw on rear armrest support joint. **See figure 8.**
3. Make sure on seatback side rail your rear pivot link is mounted to proper height relative to back. **See figure 8.**
4. Ensure the armrest at a 95° angle remains.
5. Raise or lower the armrest to set armrest to the desired height or location mark. **See figure 8.**
6. Make sure the teeth of the pivot link and the teeth of the rear armrest support joint are interlocked before tightening rear screw of rear armrest support joint.
7. Loosen front screw on front armrest support joint. **See figure 8.**

8. Raise or lower the armrest to set armrest to the desired height.
9. Tighten front screw on front armrest support joint. **See figure 8.**
10. Repeat, if necessary, for the other armrest.

To adjust the armrest angle:

1. For angle adjustment, loosen front screw on front armrest support joint, adjust, and tighten.
2. Loosen nut, if necessary. **See figure 8.**
3. To set the armrest at the desired angle, adjust the turnbuckle to raise or lower the armrest.
4. Tighten front screw on front armrest support joint. **See figure 8.**
5. Tighten nut if necessary. **See figure 8.**
6. Repeat, if necessary, for the other armrest.

NOTE: After adjusting the armrest height, you may need to adjust the armrest angle. We recommend checking the angle of the armrest first then adjusting the angle to meet the power chair user's preferences. If you have any questions, contact your Quantum Rehab Provider.

To adjust the armrest width:

1. Loosen bottom screw underneath the rear of the armrest support and adjust to the desired width. **See figure 8.**
2. When at desired width, tighten bottom screw.
3. Loosen top screw on top of armrest support joint and adjust to make the armrest perpendicular to the seat pan. **See figure 8.**
4. Once the armrest is properly adjusted, tighten.

To remove the armrest:

1. Hold armrest in place.
2. Remove the rear screw of the rear armrest support joint. **See figure 8.**
3. Support the weight of the armrest and pull the armrest off of the armrest post.

NOTE: Removing the rear screw of the rear armrest support joint, without holding armrest will allow the armrest to come completely unattached. We recommend holding armrest before removing rear screw.

WARNING!

Some power chair components are heavy. You may need assistance to lift or carry them.

To install the armrest:

1. Support the weight of the armrest. **See figure 8.**
2. Install the rear screw of the rear armrest support joint and tighten.
3. Follow instructions for adjusting armrest height and width.

To adjust the armrest armpad:

1. Loosen setscrews underneath the armrest.
2. Adjust to desired angle.
3. Tighten setscrews.

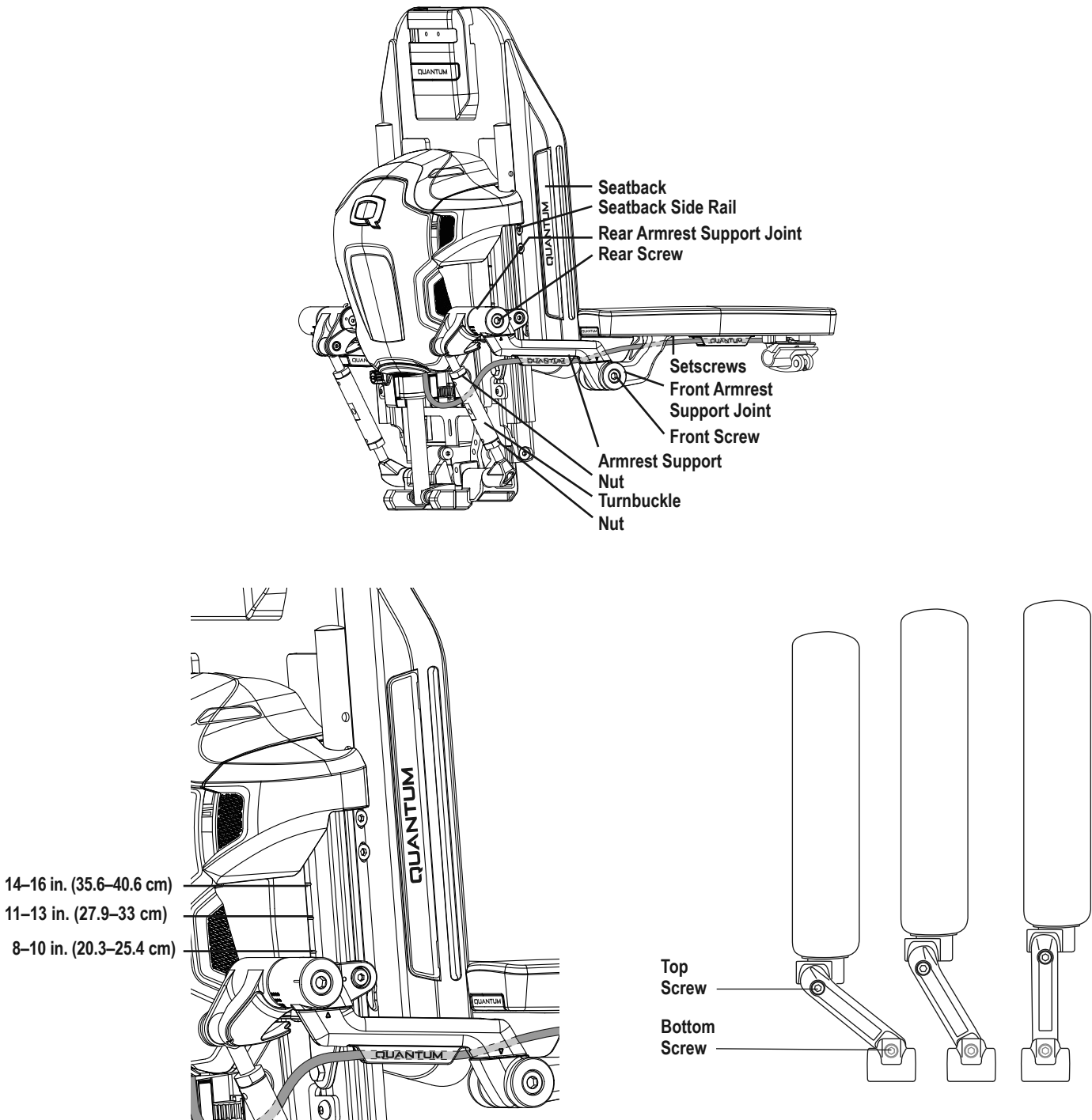


Figure 8. Flip-up Armrest Height and Angle Adjustments

Two Post Armrests

The height adjustment range for the Two Post Armrest is 9–13 in. (22.9–33 cm) in 1-in. (2.54-cm) increments. This range is measured from the top of the seat rail to the top of the arm pad. You can also flip up the armrests or remove them for transfer. **See figure 9.**

To remove the armrest assembly:

1. Push the spring-loaded lever downward and pull up on the front of the armrest. **See figure 9.**
2. Remove the detent pin from the back of the seat. **See figure 9.**
3. Pull up on the rear of the armrest to remove the assembly.

To install the armrest assembly:

1. Set the rear of the armrest into the rear seat receiver and install the detent pin. **See figure 9.**
2. Rotate the armrest assembly down.
3. Push the front of the armrest into the front seat receiver and rotate the spring-loaded lever to the horizontal position to lock into place.

To adjust the armrest height:

1. Push the spring-loaded lever inward. **See figure 10.**
2. Move the armrest up or down to the desired height.
3. Rotate the spring-loaded lever outward and lock the armrest in place. If necessary, move the armrest up or down to ensure that the armrest is secure.

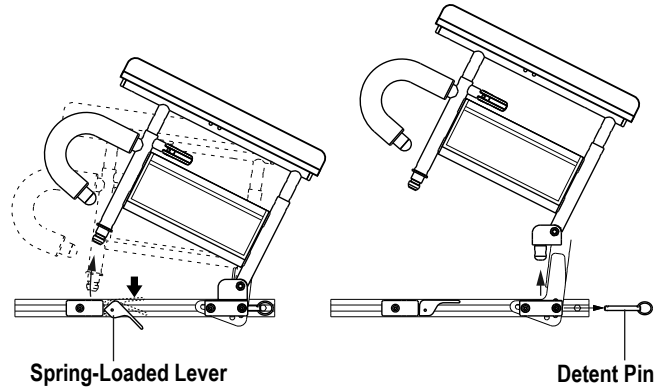


Figure 9. Two Post Armrest Removal and Installation

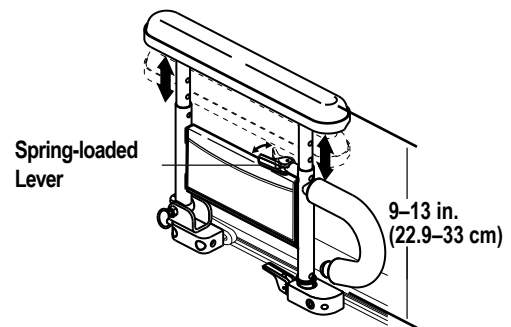


Figure 10. Two Post Armrest Height Adjustment

Heavy Duty Drop-in Armrests

The Heavy Duty Drop-in Armrests are designed to be removed for easier transfer onto and off of the power chair. **See figure 11.** The armrest height and position can be adjusted. **See figure 12.**

To remove the armrest assembly:

1. Rotate the armrest lever rearward. **See figure 11.**
2. Lift up the armrest assembly.

To install the armrest assembly:

1. Place the armrest assembly into the armrest block. **See figure 11.**
2. Rotate the armrest lever forward.

To adjust the armrest position:

1. Rotate the armrest lever rearward and remove the armrest from the armrest block. **See figure 11.**
2. Loosen screws 1 and 2. **See figure 12.**
3. Slide the armrest block to the desired position.
4. Tighten screws 1 and 2.
5. Install the armrest in the armrest block and rotate the armrest lever forward. **See figure 12.**
6. Repeat for the other side if necessary

To adjust the armrest height:

1. Remove screws 3 and 4. **See figure 12.**
2. Slide the armrest up or down the detent bar to the desired height.
3. Reinstall screws 3 and 4. **See figure 12.**
4. Repeat for the other armrest if necessary.

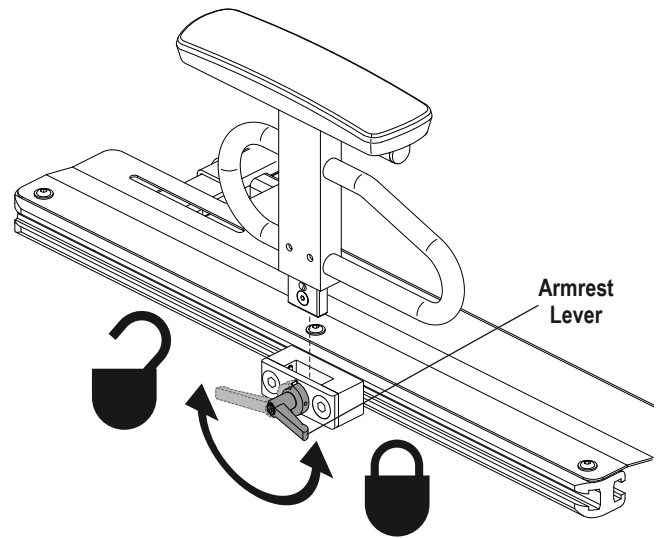


Figure 11. Heavy Duty Drop-in Armrest Removal/Installation

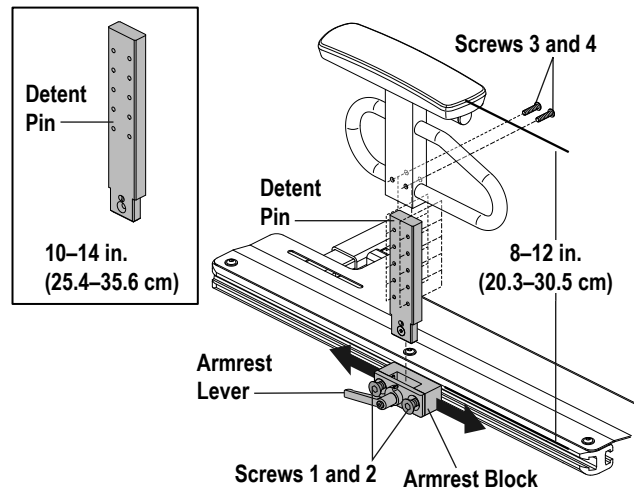


Figure 12. Heavy Duty Drop-in Armrest Position and Height Adjustment

Adjustable Drop-in Armrests

The Pediatric Single Post Quick Height Adjustable Drop-in Armrests can be adjusted and easily removed for easier transfer onto and off of the power chair. The total height adjustment range is 3 in. (7.62 cm) in 3/8-in. (0.95-cm) increments. This range is measured from the top of the seat pan to the top of the armrest pad. The total height adjustment range is 7.75–10.75 in. (19.7–27.3 cm).

To remove the armrest assembly:

1. Rotate the armrest lever forward. **See figure 13.**
2. Lift up the armrest assembly.

To install the armrest assembly:

1. Place the armrest assembly into the armrest block. **See figure 13.**
2. Rotate the armrest lever rearward.

Top height adjustments do not require any tools. The top height adjustment range is 1 in. (2.54 cm) in 3/8-in. (0.95-cm) increments. The bottom height adjustment range is 2 in. (5.08 cm) in 1-in. (2.54-cm) increments.

To adjust the top height:

1. If present, remove the optional locking pin. **See figure 13.**
2. Pull the armrest up to raise, or press the release lever to lower the armrest to the desired height.
3. If applicable, reinsert the locking pin.
4. Repeat for the other armrest if necessary.

To adjust the bottom height:

1. Remove screws 1 and 2 from the detent bar. **See figure 14.**
2. Slide the armrest up or down to the desired height.
3. Line up the holes in the armrest.
4. Reinstall screws 1 and 2 into the detent bar.
5. Repeat for the other armrest if necessary.

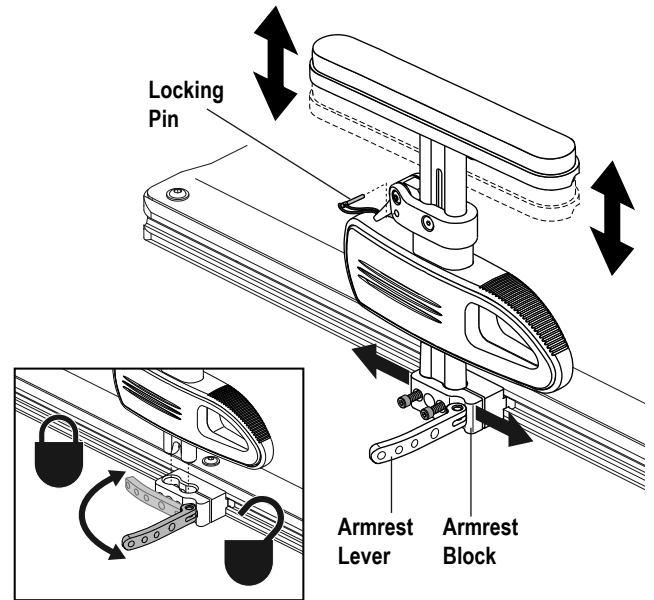


Figure 13. Pediatric Single Post Quick Height Adjustment Armrest Removal/Installation

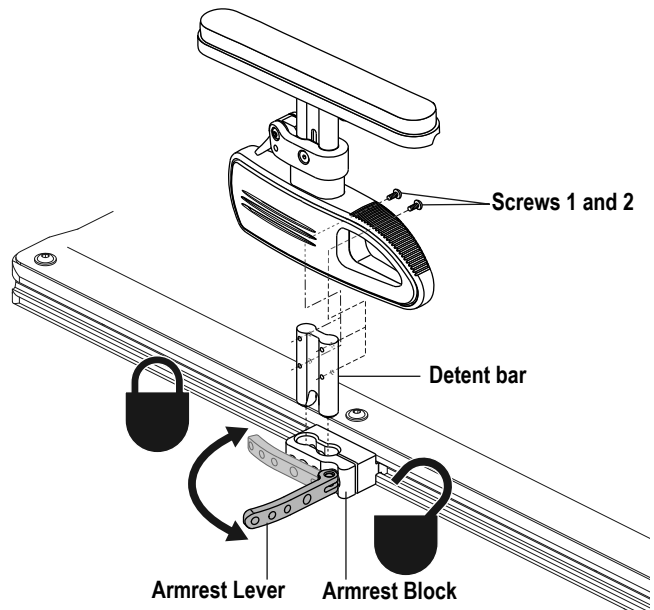


Figure 14. Pediatric Single Post Quick Height Adjustment Drop-in Adjustment

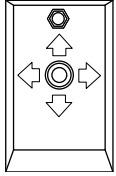
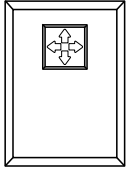
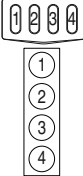

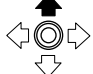


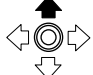
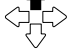
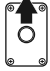
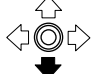
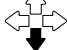
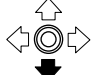

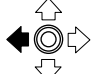

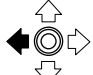
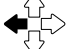
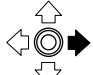
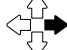
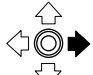
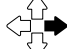

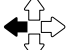
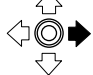
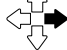
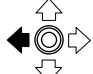
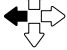
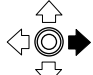
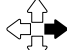
Toggle Operation				
Tilt			1	
Return to Seated Position			1	
Recline			2	N/A
Return to Seat Position			2	N/A
Elevate Seat			3	N/A
Return to Seat Position			3	N/A
Combined Leg Rests/Foot Platform Up			4	N/A
Combined Leg Rests/Foot Platform Down			4	N/A
Independent Leg Rests Up	Left 		3	N/A
	Right 		4	
Independent Leg Rests Down	Left 		3	N/A
	Right 		4	

Figure 15. Optional Toggle Operation

Transfers

Optional transfer bars are available. Transfer bars are designed to make it easier to reposition while seated in the power chair and to transfer into or out of the power chair. Refer to the Consumer Safety Guide provided with your power chair owner's manual for additional information on transfers. **See figure 16.**

Controller Position

You can position the controller for either lefthand or righthand use. You can also adjust the extension of the controller from the armrest and the height of the controller.

WARNING!

Use correct tie-down points for controller harness to prevent the harness from getting caught in the drive tires, pinched in the seat frame, or damaged when passing through doorways.

To change the controller position:

1. Turn off the power to the controller.
2. Remove the controller harness from the clips securing it to the armrest.
3. Loosen the mounting screws in the controller mounting block. **See figure 17.**
4. Move the controller mounting block and controller to the other armrest, tighten the mounting screws, and ensure the release lever is secure.

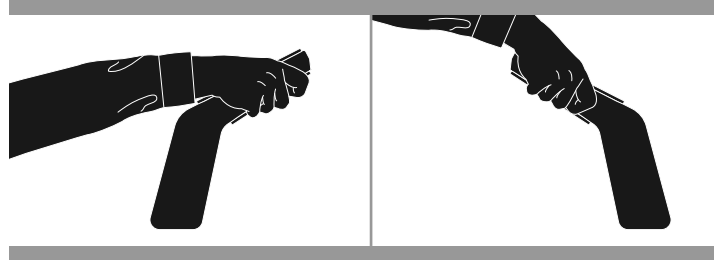


Figure 16. Transfers

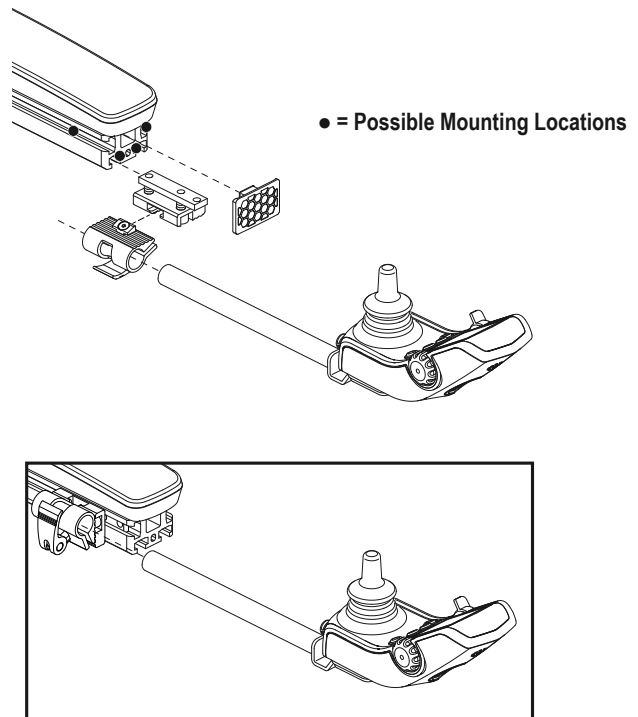


Figure 17. Controller Position (Standard Mounting Block Shown)

To change the controller extension:

1. Turn off the power to the controller.
2. Remove the controller harness from the clips securing it to the armrest.
3. Flip and then rotate the release lever to loosen the clamp. **See figure 18 or 19.**
4. Slide the controller into or out of the armrest to the desired position.
5. Rotate and flip the release lever to tighten the clamp.
6. Route the controller harness to the back of the power base and secure it with clips. **See figure 20.**

To change the controller height:

1. Turn off the power to the controller.
2. Remove the controller harness from the clips securing it to the armrest.
3. Flip and then rotate the release lever to loosen the clamp. **See figure 18 or 19.**
4. Adjust the controller to the desired height.
5. Rotate and flip the release lever to tighten the clamp.
6. Route the controller harness to the back of the power base and secure it with clips. **See figure 20.**

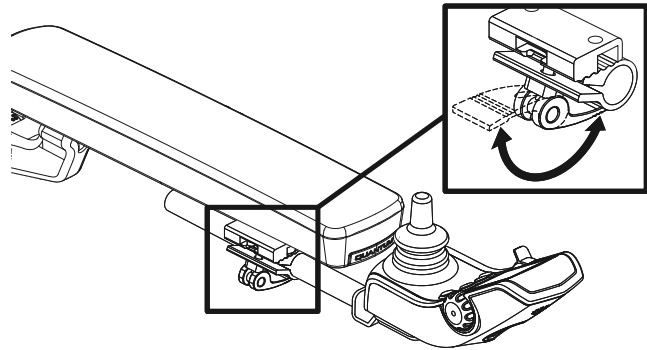


Figure 18. Controller Height Adjustment (Flip-up Armrests)

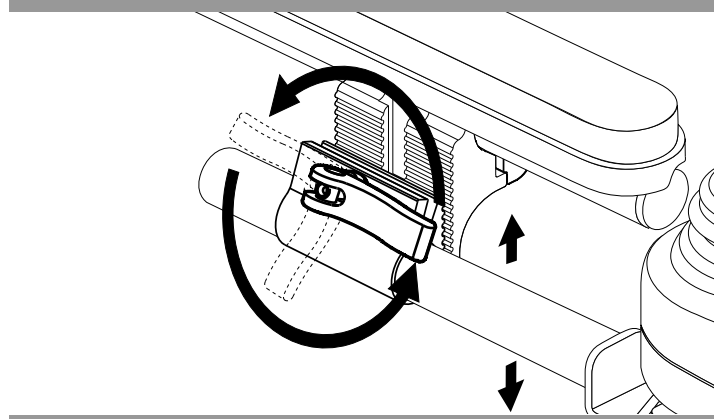


Figure 19. Controller Height Adjustment (Two Post and Heavy Duty Drop-in Armrests)

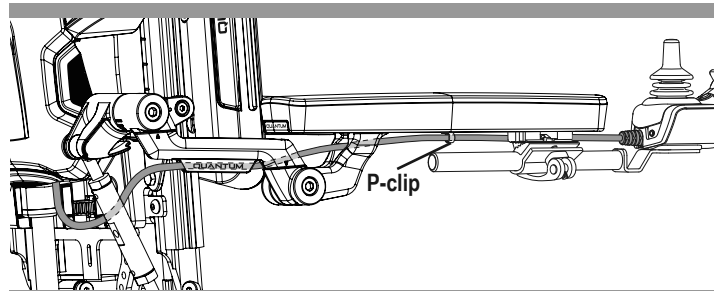


Figure 20. Cable Routing

Seatback

The Seatback can be adjusted for height and width.

To adjust the height and/or width of the seatback:

1. Loosen the hardware. **See figure 21.**
2. Place the seatback into the desired height and/or desired width.
3. Tighten the hardware.

TRU-Comfort

The TRU-Comfort cushion is a unique seatback that is available for user comfort and positioning needs. **Figure 22** provides information on the removable and adjustable TRU-Comfort components. Use these diagrams to familiarize yourself with the function and location of each component before using the TRU-Comfort cushion. **See figures 22 and 23** to identify which seatback is on your power chair.

Installation and Use

The TRU-Comfort consists of a seatback cushion, lumbar support, lateral supports, lateral wings, and/or thoracic supports that can be placed as needed for user comfort and positioning. They may be attached to the seatback either with reusable hook and loop fasteners or hardware, or they may be incorporated inside the seatback cushion.

To place the TRU-Comfort positioning components on the chair:

1. Position the lumbar and thoracic support(s) as needed for user comfort and positioning flat side down and push onto the seatback. Position the lateral supports and lateral wings as needed and attach with hardware. **See figure 22.**
2. Position the seatback cushion so that the reusable hook and loop fastener straps face the seatback. Place the cushion over any lumbar, lateral, and thoracic support(s). Secure the cushion to the seatback by sliding the two (2) long loop fastener straps through the anchor hooks and pressing the two (2) short hook fastener straps against the longer straps. **See figure 22 or 23.**

WARNING!

Extreme temperatures can affect the temperature of your cushion components and may cause skin irritation. Use caution when your power chair has been used or stored in an extremely hot or cold environment.

Ensure all hardware is installed and tightened properly.

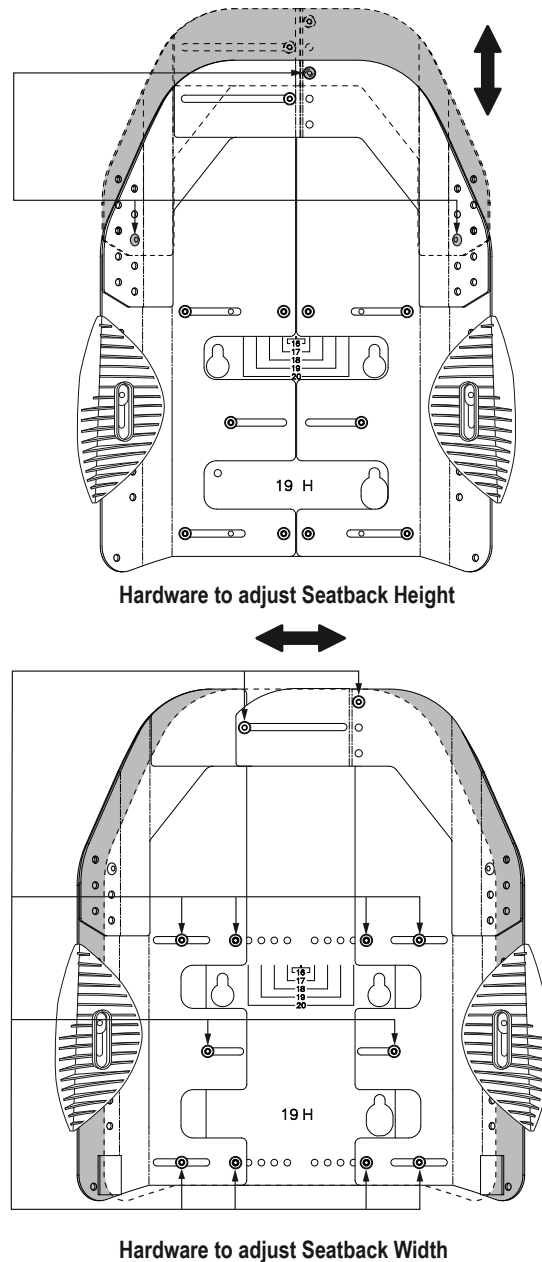


Figure 21. Height and Width Adjustments for Seatback

Cleaning

The seatback cushion can be easily cleaned.

⚠ WARNING!

Do not use bleach when washing the outer cover. Doing so may cause damage to the cover.

Follow all safety instructions for the proper use of the disinfectant and/or cleaning agent before applying it to your product. Failure to comply may result in skin irritation or premature deterioration of upholstery and/or power chair finishes.

To clean the seatback cushion cover:

1. Remove the seatback cushion from the seatback by detaching the reusable hook and loop fastener straps as well as the reusable fasteners that secure the cushion to the seatback, then pulling the cushion toward you. **See figure 22 or 23.**
2. Locate the zipper on the cushion.
3. Unzip the cover, pull out the cushion, and remove any optional wedges, if installed.
4. Wash the cover by hand or in a non-agitating washing machine at or below a temperature of 140°F (60°C).
5. Allow the cover to air dry.

⚠ WARNING!

Do not use bleach when washing the outer cover. Doing so may cause damage to the cover.

Never submerge the seatback cushion in water. Doing so may cause damage to the cushion.

Do not attempt to put the cover in a dryer. This may cause shrinking.

6. Once the cover is dry, re-cover the seatback cushion, position the seatback cushion to face the reusable fasteners on the seatback. Secure the cushion to the seatback using the reusable fasteners on the seatback as well as the reusable hook and loop fastener straps. **See figure 22 or 23.**

⚠ WARNING!

Follow all safety instructions for the proper use of the disinfectant and/or cleaning agent before applying it to your product. Failure to comply may result in skin irritation or premature deterioration of upholstery and/or power chair finishes.

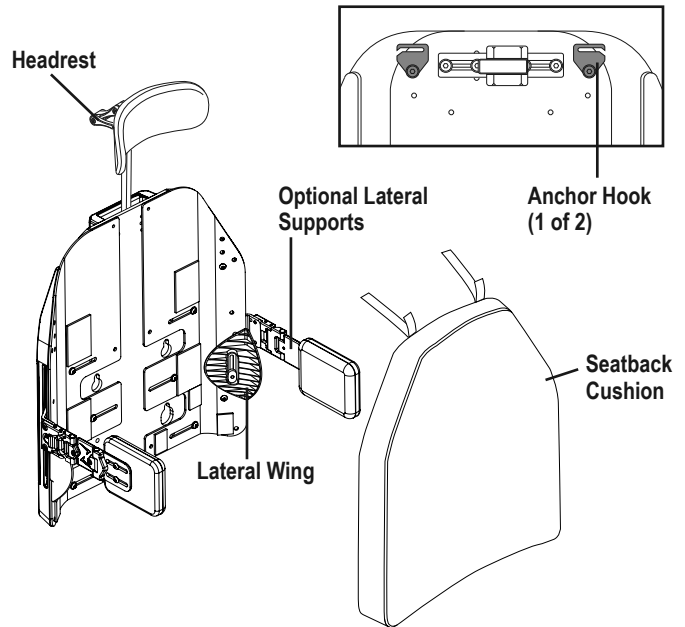


Figure 22. TRU-Comfort 4 Components

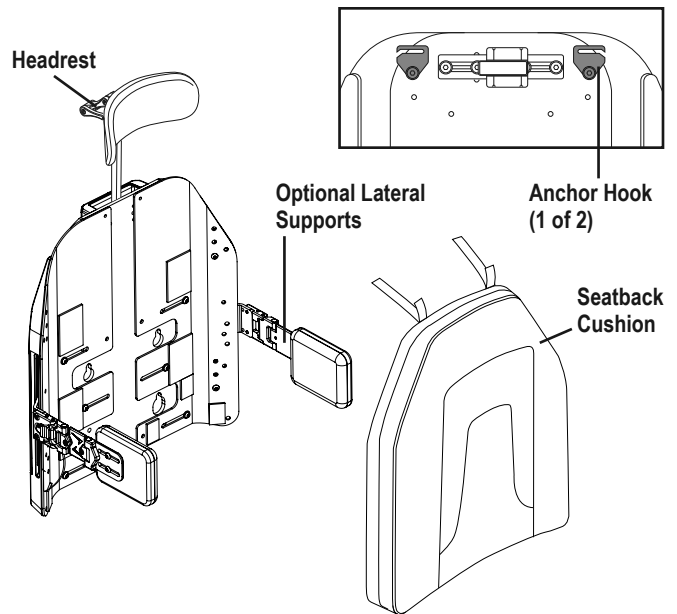


Figure 23. Sport Back 4 Components

Lateral Adjustment

The laterals can be easily installed and adjusted to different heights and widths.

NOTE: Laterals should only be installed and adjusted by your Quantum Rehab Provider.

To install laterals:

1. Install but do not tighten the attachment screws in the lateral track.
2. Slide the lateral support through the channel guide as shown in **figure 24**.
3. Slide the lateral support to the desired height and width. **See figure 24.**
4. Tighten the screws inserted into the lateral track.
5. Repeat for other side, if necessary.

To adjust the laterals:

1. Loosen the attachment screws in the lateral track.
2. Slide the lateral support to the desired height and width. **See figure 24.**
3. Tighten the screws inserted into the lateral track.
4. Repeat for other side, if necessary.

NOTE: Based on seat height, additional holes may be present/available to adjust overall height of lateral tracks.

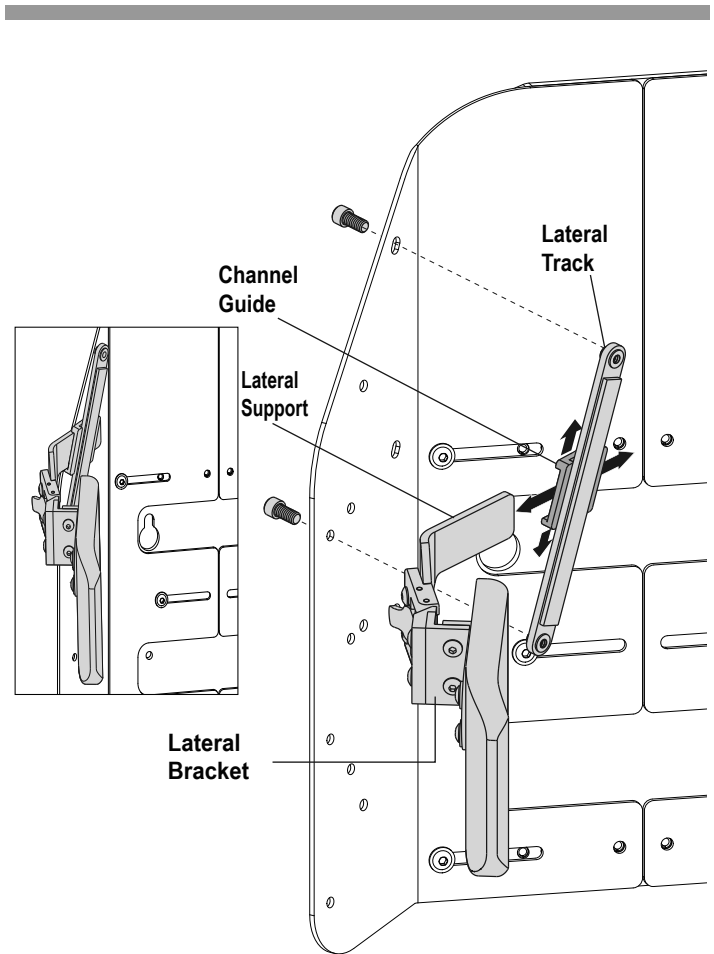


Figure 24. Laterals with HD Seating System

NOTE: Laterals should be installed and adjusted by your Quantum Rehab Provider.

NOTE: If the power chair is occupied when installing or adjusting the laterals, first ensure that the occupant is in a secure position. Contact your Quantum Rehab Provider with any questions you may have.

To install laterals:

1. Remove the plastic shroud from the lateral extrusion on the side of the seatback.
2. Insert the square slab nut—with its arrow pointing up—into the slot of the lateral extrusion.
3. Install the lateral support into the lateral extrusion. **See figure 25.**
4. Insert the spacer and the two (2) bolts through the lateral support and the square slab nut. Do not tighten completely.
5. Slide the lateral support to the desired height and width.
6. Tighten the bolts inserted into the lateral extrusion.
7. Reinstall the plastic shroud on the lateral extrusion.
8. Repeat for other side, if necessary.

To adjust the laterals:

1. Loosen the two (2) bolts in the lateral extrusion.
2. Slide the lateral support to the desired height and width. **See figure 25.**
3. Tighten the bolts inserted into the lateral extrusion.
4. Repeat for other side, if necessary.

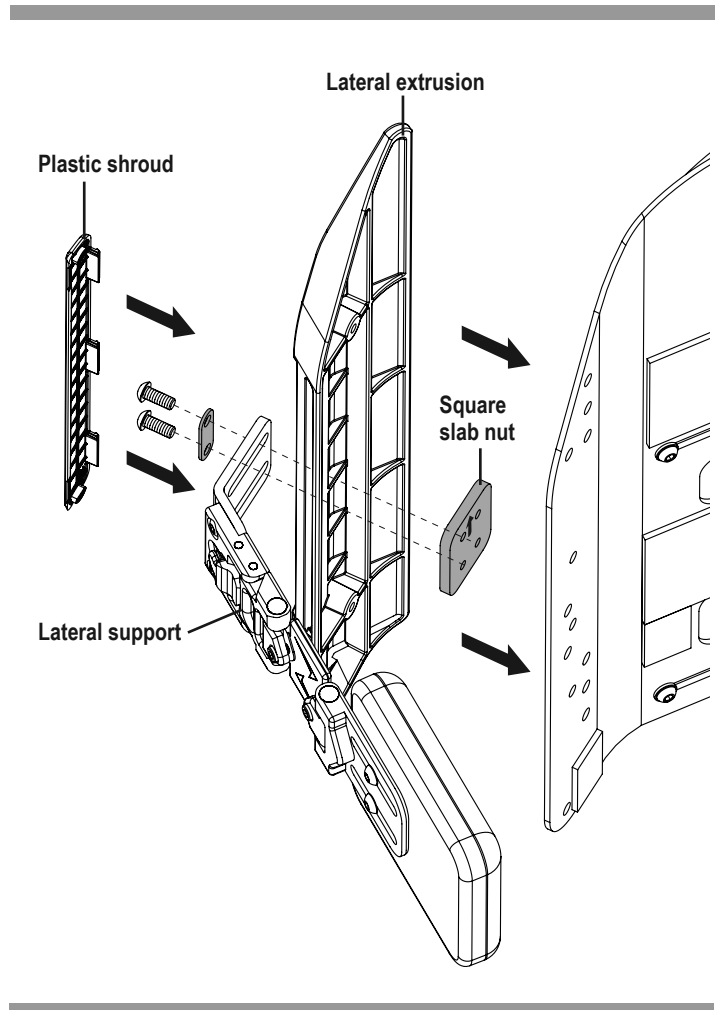


Figure 25. Laterals

Headrest Adjustment

The headrest can be easily adjusted to different heights, depths, and angles.

To adjust the height, depth, or angle of the headrest:

1. Loosen the adjustment screws that correspond to the desired adjustments. **See figure 26.**
2. Adjust the headrest to the desired position.
3. Tighten the adjustment screws.

NOTE: Once adjustments have been made and the headrest is in the desired position, make sure that all of the hardware is tight.

⚠ WARNING!

Do not extend the overall headrest height more than 7 in. (17.78 cm) above the headrest bracket.

To attach the headrest to the seatback:

1. Attach the track to the seatback using four (4) flat head screws.
2. Slide the headrest block onto the track to the desired location.
3. Tighten the setscrew, located under the lever, to lock the block in place.
4. Insert the headrest hardware into the square opening and set to desired height.

Storage

Some of the parts of your power chair are susceptible to extreme changes in temperature. Always keep your power chair between the temperatures of 18°F (-8°C) and 122°F (50°C). It should be stored at room temperature in a clean and dry location.

Care and Maintenance

Your mobility product must be disposed of according to applicable local and national statutory regulations. Contact your local waste disposal agency or Quantum Rehab Provider for information on proper disposal of mobility product packaging, metal frame components, plastic components, electronics, batteries, neoprene, silicone, and polyurethane materials.

⚠ WARNING!

Plastic bags are a suffocation hazard. Dispose of plastic bags properly and do not allow children to play with them.

- Make sure all hardware is secured properly, but do not overtighten any hardware.
- To clean the TRU-Balance 3 seating system, wipe it with a cloth dampened with mild soap and water. Thoroughly dry the unit before using. To properly clean the TRU-Comfort back cushion, follow the cleaning instructions in the “TRU-Comfort” section of this manual.

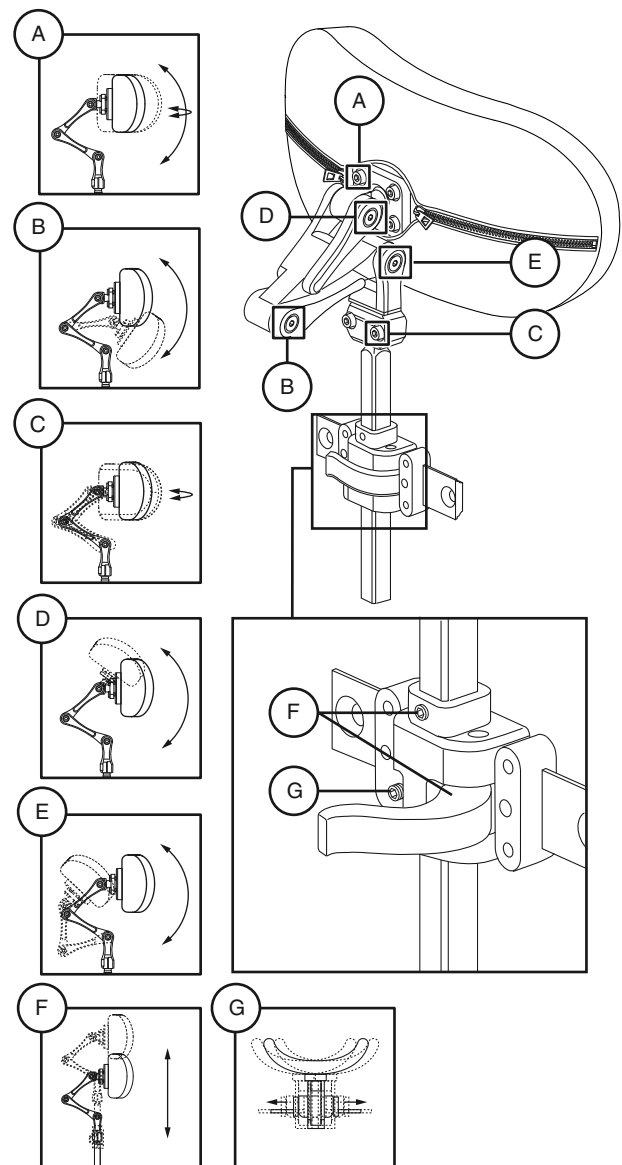


Figure 26. Headrest Adjustment Components

Warranty

Three-Year Limited Warranty

For three (3) years from the date of purchase, Quantum will repair or replace at our option to the original purchaser, free of charge, any of the following parts found upon examination by an authorized representative of Quantum to be defective in material and/or workmanship:

- Structural frame components

Two-Year Limited Warranty

For two (2) years from the date of purchase, Quantum will repair or replace at our option to the original purchaser, free of charge, any of the following parts found upon examination by an authorized representative of Quantum to be defective in material and/or workmanship:

- Electronics
- TRU-Comfort seatback cushion
- Sport Back seatback cushion

Eighteen-Month Warranty (2-Year Limited Warranty in Canada)

For eighteen (18) months (two [2] years in Canada) from the date of purchase, Quantum will repair or replace at our option to the original purchaser, free of charge, any of the following parts found upon examination by an authorized representative of Quantum to be defective in material and/or workmanship:

- Actuator

Warranty service can be performed by a Quantum Rehab Provider or by Quantum. Do not return faulty parts to Quantum without prior consent. All transportation costs and shipping damage incurred while submitting parts for repair or replacement are the responsibility of the original purchaser.

Warranty Exclusions

- Upholstery and seating (unless otherwise noted)
- Repairs and/or modifications made to any part without specific consent from Quantum
- Circumstances beyond the control of Quantum
- Labor, service calls, shipping, and other charges incurred for repair of the product, unless specifically authorized by Quantum
- Damage caused by:
 - Battery fluid spillage or leakage
 - Abuse, misuse, accident, or negligence
 - Improper operation, maintenance, or storage
 - Commercial use or use other than normal

There is no other express warranty.

Implied warranties, including those of merchantability and fitness for a particular purpose, are limited to one (1) year from the date of purchase and to the extent permitted by law. Any and all implied warranties are excluded. This is the exclusive remedy. Liabilities for consequential damages under any and all warranties are excluded.

Some states do not allow limitations on how long an implied warranty lasts or do not allow the exclusion or limitation of incidental or consequential damages, so the above limitation or exclusion may not apply to you.

This warranty gives you specific rights, and you may also have other rights which vary from state to state.

TRU-BALANCE® 3

USA

401 York Avenue
Duryea, PA 18642
www.quantumrehab.com

Canada

5096 South Service Road
Beamsville, Ontario L0R 1B3
www.quantumrehab.com

Australia

20-24 Apollo Drive
Hallam, Victoria 3803
www.quantumrehab.com.au

New Zealand

38 Lansford Crescent
Avondale, Auckland 0600
www.pridemobility.co.nz

UK

32 Wedgwood Road
Bicester, Oxfordshire OX26 4UL
www.quantumrehab.co.uk

Holland

(Authorised EU Representative)
De Zwaan 3
1601 MS Enkhuizen
The Netherlands
www.quantumrehab.eu

Italy

Via del Progresso, ang. Via del Lavoro
Loc. Prato della Corte
00065 Fiano Romano (RM)
www.quantumrehab-italia.it

France

26 Rue Monseigneur Ancel
69800 Saint-Priest
www.quantumrehab.fr

Spain

Calle Las Minas Número 67
Polígono Industrial Urtinsa II, de Alcorcón
28923 Madrid
www.quantumrehab.es

Germany

Hövelrieger Str. 28
33161 Hövelhof

China

Room 508, Building #4
TianNa Business Zone
No. 500 Jianyun Road
Pudong New Area
Shanghai 201318



I N F M A N U 4 8 0 0