

PRODUCT SPECIFICATIONS SHEET

Model: Quantum 610

Document Information: INFINF2758/Rev E/October 2015

Weight Capacity:	300 lbs. (136 kg) 250 lbs. (113 kg) with Synergy TRU-Balance® Power Positioning Systems (United States)
Maximum Speed: ¹	Up to 4 mph (6.44 km/h)
Ground Clearance: ²	1.99 in. (5.05 cm) at footplate 2 in. (5.1 cm) at caster arm 2.5 in. (6.5 cm) at frame
Turning Radius: ²	22 in. (55.9 cm)
Overall Size: ^{2, 6}	Length: 40.87 in. (104 cm) with front riggings 34.74 in. (88.4 cm) without front riggings Width: 23.19 in. (59 cm)
Drive Wheels:	10 in. (25.4 cm), pneumatic and solid available
Caster Wheels:	Front: 5 in. (12.7 cm) solid Rear: 6 in. (15.24 cm) solid
Suspension:	Active-Trac Extreme (ATX)
Range: ^{1, 4}	Up to 10.2 miles (16.41 km)
Component Weights: ⁵	Base: 100.2 lbs. (45.39 kg) without seat and batteries Seat: 55.4 lbs. (25 kg) Batteries: 23.4 lbs. (10.6 kg) each
Drivetrain:	Two motor, Mid-wheel-6 drive
Brakes:	"Intelligent Braking" electromagnetic regenerative, disc park brake
Batteries: ³	Two 12-volt, U-1 batteries
Battery Charger:	5-amp, off-board
Maximum Allowable Incline:	6° (10.5%)
Maximum Angle Capacity:	10° (17.6%)
Maximum Obstacle Climbing Ability:	3 in. (7.62 cm)
Drive Control Operational Force:	Less than 5 N

¹ Varies with base model, user weight, terrain type, battery amp hour rating (Ah), battery charge, battery condition, motors, controller type, tire type, and tire condition. This specification is subject to a variance of +10%, -5%.

² Due to manufacturing tolerances and continued product improvement, this specification can be subject to a variance of (+ or -) 3%.

³ AGM or Gel-Cell type required. See VI. "Batteries and Charging."

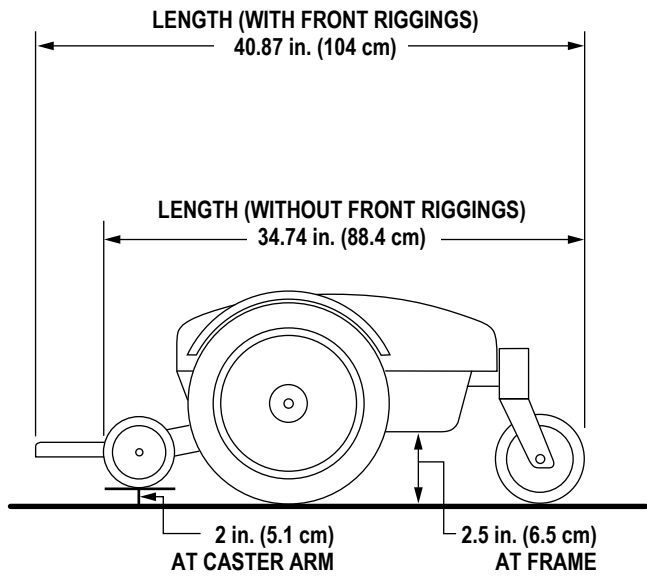
⁴ Tested in accordance with ANSI/RESNA, WC Vol 2, Section 4 & ISO 7176-4 standards. Results derived from theoretical calculations based on battery specifications and drive system performance. Test conducted at maximum weight capacity.

⁵ Battery weight may vary based on manufacturer.

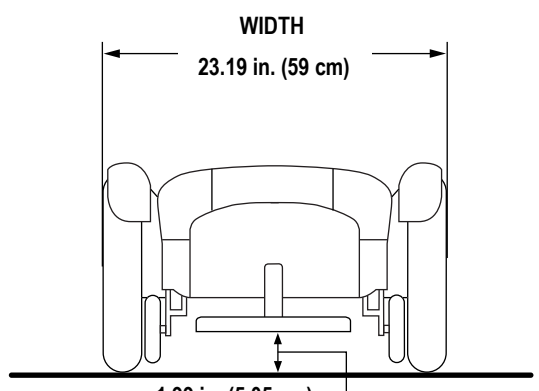
⁶ Dimensions listed are for power base only. Overall measurements will vary based on seating and accessory selections.

NOTE: This product conforms to all applicable ANSI/RESNA testing requirements and ISO 7176 Series EN12184 standards. All specifications subject to change without notice.

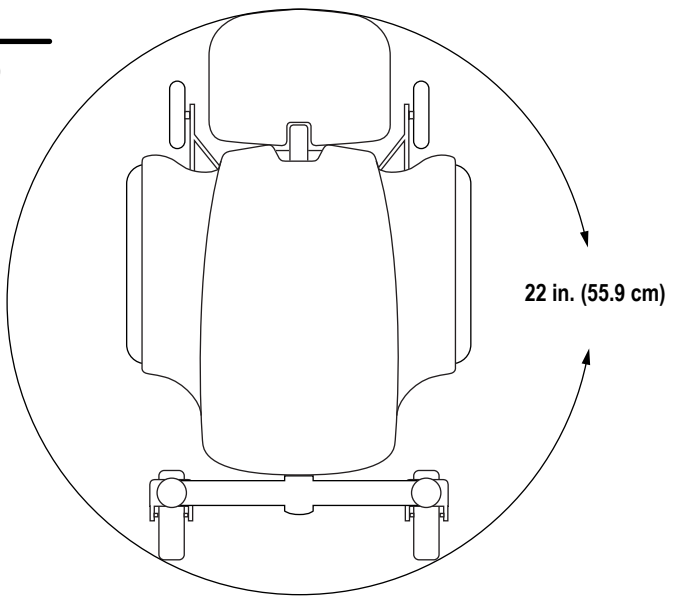




GROUND CLEARANCE



GROUND CLEARANCE



TURNING RADIUS

