

Quantum® 1650 Series

Group 3 Very Heavy Duty

Order Form

650 lbs. weight capacity

Weight Capacity May Be Limited By Configuration



Quantum Rehab®

A Division of Pride Mobility Products Corporation®

182 Susquehanna Ave., Exeter, PA 18643

Phone: (866)800-2002 • Fax: (866) 707-3422

Account Number: _____

Provider Name: _____

Contact: _____

Phone: _____

Fax: _____

Date: _____

PO#: _____

Marked For: _____

Ship To: _____

Address: _____

City: _____ State: _____ Zip: _____

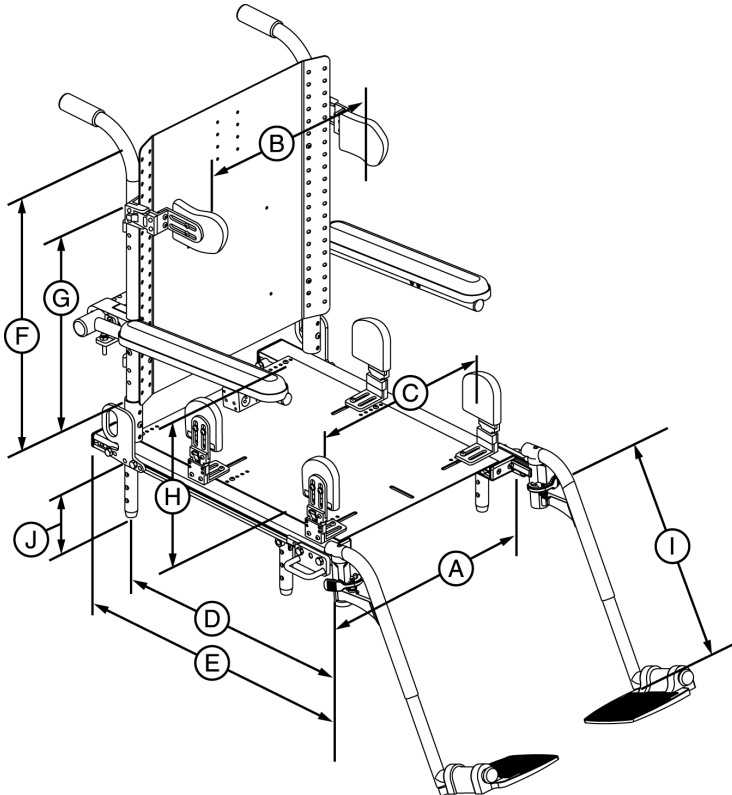
Discount: _____

Terms: _____

Freight: _____

Taken By: _____

SET-TO-SPEC*



Please Supply Client Information:

Client Height: _____

Client Weight: _____

A. Seat Width: _____

B. Lateral Offset: _____

C. Hip/Thigh Lateral Offset: _____

D. Center of Gravity: Optimized based on seat dimensions

E. Seat Depth: _____

F. Back Height from Pan: _____

G. Lateral Height from Pan: _____

H. Armrest Height from Pan: _____

I. Rigging Length (whole numbers only): _____

J. Seat to Floor Height (circle one): _____

Seating System	Low	Middle	Tall
Contoured Seating	22.75"	23.75"	24.75"
Synergy® Seat	18.375"	19.375"	20.375"

Seat to floor height are +/- 1/8" with 20"W x 18"D with Flat-Free tires (add 3/8" for pneumatic tires). Increased widths may increase lowest seat to floor heights.

* While every effort will be taken to ensure dimensions will be preset to your specifications prior to shipping variations in options may effect final settings.

Notes:

DME providers are responsible for determining appropriate billing codes when submitting for insurance reimbursement. HCPCS codes should not be considered as legal advice. All prices are MSRP.

BASE MODEL		
Description	Price	HCPCS Code
<input type="checkbox"/> Quantum 1650 3SPVHD-SS	\$13,246	K0860

COLORS	
<input type="checkbox"/> Candy Apple Red	<input type="checkbox"/> Onyx Black
<input type="checkbox"/> Viper Blue	<input type="checkbox"/> Champagne

DRIVE WHEELS	
Description	Price
<input type="checkbox"/> 16" Flat Free	Standard
<input type="checkbox"/> 16" Pneumatic	No Charge

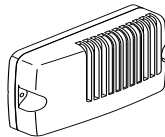
BASE MOUNTED FOOT PLATFORM	
Description	Price
<input type="checkbox"/> Heavy Duty Foot Platform, 17"W x 13"D	Standard
<input type="checkbox"/> Heavy Duty Foot Platform, 17"W x 16"D	No Charge
<input type="checkbox"/> Omit Base Mounted Foot Platform	No Charge

EXTENDED RANGE PACKAGE	
Description	Price
<input type="checkbox"/> 2 Battery System <i>Requires 2 Group 24 Batteries</i>	Standard
<input type="checkbox"/> 4-Battery Extended Range System <i>Requires 4 NF-22 Batteries</i>	No Charge

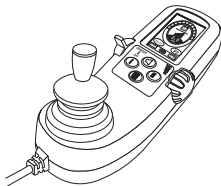
EXPANDABLE CONTROLS		
Description	Price	HCPCS Code

Q-Logic EX Joystick or Enhanced Display must be ordered with a Q-Logic EX Controller and Harness For Expandable Controls

- 100 Amp Q-Logic EX Controller \$695 E2377
- Expandable Controller Harness \$350 E2313



- Q-Logic EX Joystick \$700



PROGRAMMING	
Description	Price

- Q-Logic Handheld Programmer \$545



- Q-Logic PC Programming Cable with Disk¹ \$750

1. Works with Q-Logic EX only.

JOYSTICK HANDLES		
Description	Price	HCPCS Code

- Standard Carrot Handle Standard
- Mushroom Handle \$71 E2323
- T-Bar \$107 E2323
- Chin Cup \$71 E2324¹
- Extended I-Handle \$71 E2323
- Soft Ball Handle \$50 E2323
- Medium Ball Handle \$50 E2323
- Bodypoint 3" Goal Post Handle \$69 E2323
- Bodypoint 4" Goal Post Handle \$69 E2323

1. Use HCPCS code E2323 when not used in conjunction with a chin control.

JOYSTICK MOUNTING BRACKETS		
Description	Price	HCPCS Code

- Comes Standard with a Quick Release, Adjustable-Height Joystick Block*
- Fixed Inline¹ Standard
 - Side: Left Right
 - Swing-away \$210 E1028
 - Side: Left Right
 - Style: Inline Offset
 - Length: 4" Ext. 7" Ext.²
 - Multi-axis Fixed \$100 K0108
 - Side: Left Right

1. Not available with Q-Logic EX Stand Alone Joystick
2. In iQuantum choose in addition to Swing-Away 4" mount.

HEAVY DUTY CONTOURED SEATING	
Description	Price

High Back:

Contact Reimbursement To Discuss Coding Options

- Heavy Duty High-Back with Headrest No Charge
- Heavy Duty High-Back with Headrest & Solid Seat Pan¹ No Charge

Seat Width:

- 20" 22" 24" 26" 28"
- 30" 32"

Seat Depth:

- 18" 20" 22" 24" 26"
- 28"

Upholstery:

- Black Vinyl

Armrests:

- Heavy Duty, Bariatric, Height-Adjustable, Removable Standard
- 8"H - 12"H 10"H-14"H

Arm pads:

- Black, Molded, Bariatric Arm pads Standard

Special Order Seat

_____ "W x _____ "D

Seat size can not exceed 32"W x 28"D

\$450 MSRP

1. Includes black vinyl covered Solid Seat Pan. Back and headrest in available colors.

SYNERGY® SEATING SYSTEMS	
Description	Price

- Synergy Seating Frame \$434
 - Heavy Duty Upgrade (Required For 1650 Base) \$366

Seat Width:

- 20" 21" 22" 23" 24"
- 25" 26" 27" 28" 29"
- 30" 31" 32"

Seat Width Package:

- 20"W-24"W 24"W-26"W 26"W-28"W 28"W-30"W
- 30"W-32"W

Seat Depth:

- 18" 19" 20" 21" 22"
- 23" 24" 25" 26" 27"
- 28"

Seat Depth Package:

- 15"D-20"D 20"D-24"D 24"D-28"D

Back Cane Height:

- 14" 15" 16" 17"
- 18" 19" 20" 21"
- 22" 23" 24" 25"

SYNERGY® BACK OPTIONS

Description	Price
<input type="checkbox"/> Sling Back	\$98
<input type="checkbox"/> Heavy Duty Sling Back	\$150
<input type="checkbox"/> Omit Back	No Charge
<input type="checkbox"/> Synergy® Back with 1.5" Thick Back Cushion	
<input type="checkbox"/> 20"W - 24"W	Standard
<input type="checkbox"/> 25"W - 32"W	\$315
Overall Back	<input type="checkbox"/> 18" H <input type="checkbox"/> 19" H <input type="checkbox"/> 20" H <input type="checkbox"/> 21" H
Height:	<input type="checkbox"/> 22" H <input type="checkbox"/> 23" H <input type="checkbox"/> 24" H <input type="checkbox"/> 25" H
	Choose Lateral Extensions:
	<input type="checkbox"/> 6" for 13"-16"H Back \$25
	<input type="checkbox"/> 10" for 17"-18"H Back \$25
	<input type="checkbox"/> 12" For 19"-22"H Back \$25
	<input type="checkbox"/> 16" For 23"-25"H Back \$25
Synergy® Back Cane Options:	
<input type="checkbox"/> Standard Back Canes	Standard
<input type="checkbox"/> Omit Push Handles	\$125
<input type="checkbox"/> Offset (Meso)	\$195
<input type="checkbox"/> 2" (1" Per Side) <input type="checkbox"/> 4" (2" Per Side)	
<input type="checkbox"/> Inset (Endo)	\$195
<input type="checkbox"/> 2" (1" Per Side) <input type="checkbox"/> 4" (2" Per Side)	

SYNERGY® ARMRESTS

Description	Price	HCPCS Code
<input type="checkbox"/> Removable, Single-post, Height Adjustable, Heavy Duty	\$75 ea.	E0973
<input type="checkbox"/> 8"H - 12"H <input type="checkbox"/> 10"H-14"H		
<input type="checkbox"/> Bariatric, Removable, Height Adjustable ¹	\$75 ea.	E0973
<input type="checkbox"/> 8"H - 12"H <input type="checkbox"/> 10"H-14"H		

1. Bariatric Armrests require Bariatric Armpads

SYNERGY® ARMPADS

Description	Price
<input type="checkbox"/> Straight, Full Length (2"x14")	Standard
<input type="checkbox"/> Left <input type="checkbox"/> Right	
<input type="checkbox"/> Straight, Desk Length (2"x10")	No Charge
<input type="checkbox"/> Left <input type="checkbox"/> Right	
<input type="checkbox"/> Waterfall, Full Length (2"x14")	No Charge
<input type="checkbox"/> Left <input type="checkbox"/> Right	
<input type="checkbox"/> Waterfall, Desk Length (2"x10")	No Charge
<input type="checkbox"/> Left <input type="checkbox"/> Right	
<input type="checkbox"/> Falcon Gel, Full Length, (3.5"x14")*	\$160 pr.
<input type="checkbox"/> Left <input type="checkbox"/> Right	
<input type="checkbox"/> Full Length Gel Armpad Mounting Plate (Required)*	\$56.69 ea.
<input type="checkbox"/> Falcon Gel, Desk Length, (3.5"x10")*	\$125 pr.
<input type="checkbox"/> Left <input type="checkbox"/> Right	
<input type="checkbox"/> Desk Length Gel Armpad Mounting Plate (Required)*	\$53.52 ea.
<input type="checkbox"/> Flat, Bariatric ¹	No Charge
<input type="checkbox"/> Left <input type="checkbox"/> Right	

1. Bariatric Armrests require Bariatric Armpads

LAP BELTS

Description	Price
<input type="checkbox"/> 60" Lap Belt	Standard
<input type="checkbox"/> 70" Lap Belt	Standard
<input type="checkbox"/> 80" Lap Belt	Standard
<input type="checkbox"/> 90" Lap Belt	Standard

LATERALS

Description	Price	HCPCS Code
<input type="checkbox"/> Stealth Thoracic Laterals (pair)*		
Bracket:		
<input type="checkbox"/> Swing-Away Rail Mount Bracket	\$450	E1028
	(For Use With Synergy Back)	
Choose Pad:		
<input type="checkbox"/> Flat Pad, 3" x 5" Leather-Like Cover	\$200	E0956
<input type="checkbox"/> Flat Pad, 4" x 6" Leather-Like Cover	\$200	E0956
<input type="checkbox"/> Curved Pad, 2" x 3" 4-Way Stretch Cover	\$200	E0956
<input type="checkbox"/> Curved Pad, 3" x 5" 4-Way Stretch Cover	\$200	E0956
<input type="checkbox"/> Curved Pad, 4" x 6" 4-Way Stretch Cover	\$200	E0956
<input type="checkbox"/> Stealth Pelvic/Thigh Laterals*		
Side(s):		
<input type="checkbox"/> Left Side <input type="checkbox"/> Right Side		
Choose Bracket:		
<input type="checkbox"/> Removable Bracket (ea.)	\$250	E1028
<input type="checkbox"/> Removable Bracket w/ 1" Offset (ea.)	\$325	E1028
<input type="checkbox"/> Flip Down Bracket (ea.)	\$225	E1028
Choose Pad:		
<input type="checkbox"/> Short Pad, 4" x 4" (ea.)	\$90	E0956
<input type="checkbox"/> Medium Pad, 4" x 8" (ea.)	\$90	E0956
<input type="checkbox"/> Long Pad, 4" x 12" (ea.)	\$90	E0956
Adapter:		
<input type="checkbox"/> 2" Depth/Height Adapter Plate (ea.) ¹	\$25	K0108

1. Not available on the flip down bracket.

HEADRESTS

Description	Price	HCPCS Code
<input type="checkbox"/> No Headrest Required		
TRU-Comfort™ Headrest¹:		
<input type="checkbox"/> 8" W Leatherette	\$205	E0955
<input type="checkbox"/> 8"W TRU-Comfort Plus	\$205	E0955
<input type="checkbox"/> 10" W Leatherette	\$205	E0955
<input type="checkbox"/> 10"W TRU-Comfort Plus	\$205	E0955
<input type="checkbox"/> Removable Headrest Bracket	\$210	E1028
Stealth:		
<input type="checkbox"/> Small (9.75"W x 3"H) (STL-OTS250)	\$205	E0955
<input type="checkbox"/> Large (11"W x 6"H) (STL-OTLG150)	\$205	E0955
<input type="checkbox"/> Pediatric Comfort Plus (6"W) (CPN350)	\$142	E0955
<input type="checkbox"/> Small Comfort Plus (10"W) (CP250)	\$142	E0955
<input type="checkbox"/> Large Comfort Plus (14"W) (CP150)	\$142	E0955
<input type="checkbox"/> Removable Headrest Bracket ² (HMO475P)	\$210	E1028
<input type="checkbox"/> Swing-away (Flip-down) Headrest Bracket (FDM350)	\$210	
Used in Addition to Removable Headrest Bracket		
Aftermarket Bracket:		
<input type="checkbox"/> Stealth's World's Best Removable Headrest Hardware (TWB485)	\$210	E1028

1. Measurement is taken from the inside of the headrest.

NON-POWERED LEGRESTS

Description	Price
<input type="checkbox"/> Heavy Duty Drop-In Legrests¹	\$420
<input type="checkbox"/> 70° <input type="checkbox"/> 80°	
<input type="checkbox"/> Angle Adjustable Footplates ²	\$150
Angle Adjustable Extension Length:	
<input type="checkbox"/> 12"-14.5" <input type="checkbox"/> 14.5" -18" <input type="checkbox"/> 17.5" -21"	
Angle Adjustable Footplate Size:	
<input type="checkbox"/> 4" x 6" <input type="checkbox"/> 5" x 6" <input type="checkbox"/> 5" x 8"	
<input type="checkbox"/> 6" x 8" <input type="checkbox"/> 6" x 11" <input type="checkbox"/> 8" x 11"	

1. Extension Length is measured from the top of seatpan to the footplate.
2. Includes Heel Loops.

Items marked with a (*) should be chosen in the Positioning Components screen in iQuantum

NON-POWERED LEGRESTS (CONT'D)

Description	Price	
<input type="checkbox"/> 70° Swing-away Legrests¹	\$162	
<input type="checkbox"/> Straight <input type="checkbox"/> Tapered		
<input type="checkbox"/> 70° <input type="checkbox"/> 80° (Straight Only)		
<input type="checkbox"/> Standard Extruded Footplates	No Charge	
Standard Extruded Extensions:		
<input type="checkbox"/> 11"-13" <input type="checkbox"/> 13"-16.5" <input type="checkbox"/> 15.5"-19.5" <input type="checkbox"/> 18.5"-22.5"		
Standard Extruded Footplates:		
<input type="checkbox"/> 7.25" x 6" <input type="checkbox"/> 8.5" x 6"		
<input type="checkbox"/> Angle-Adjustable Footplates²	\$150	
Angle Adjustable Extensions:		
<input type="checkbox"/> 11"-13" <input type="checkbox"/> 13"-16.5" <input type="checkbox"/> 15.5"-19.5" <input type="checkbox"/> 18.5"-22.5"		
Angle-Adjustable Footplates:		
<input type="checkbox"/> 4" x 6" <input type="checkbox"/> 5" x 6" <input type="checkbox"/> 5" x 8"		
<input type="checkbox"/> 6" x 8" <input type="checkbox"/> 6" x 11" <input type="checkbox"/> 8" x 11"		
<input type="checkbox"/> Multi-Axis Footplates	\$495	
Multi-Axis Extensions:		
<input type="checkbox"/> 11"-16.5" <input type="checkbox"/> 15.5"-19.5" <input type="checkbox"/> 18.5"-22.5"		
Multi-Axis Footplates:		
<input type="checkbox"/> 4" x 6" <input type="checkbox"/> 5" x 6" <input type="checkbox"/> 5" x 8"		
<input type="checkbox"/> 6" x 8" <input type="checkbox"/> 6" x 11" <input type="checkbox"/> 8" x 11"		
<input type="checkbox"/> High Mount, Clamp-On Footrest*		
<input type="checkbox"/> Angle Adjustable		K0040
<input type="checkbox"/> Small, 4" x 7.75"	\$356	
<input type="checkbox"/> Large, 4.25" x 9.25"	\$356	
<input type="checkbox"/> Multi-Axis		K0040
<input type="checkbox"/> Small, 4" x 7.75"	\$456	
<input type="checkbox"/> Large, 4.25" x 9.25"	\$460	
<input type="checkbox"/> Elevating Legrests¹	\$325	K0195/E0990
<input type="checkbox"/> Standard Footplates		
Standard Extruded Extension Length:		
<input type="checkbox"/> 11"-14" <input type="checkbox"/> 14"-17" <input type="checkbox"/> 17"-20"		
Standard Extruded Footplate Size:		
<input type="checkbox"/> 7.25" x 6" <input type="checkbox"/> 8.5" x 6"		
<input type="checkbox"/> Angle Adjustable Footplates²	\$150	
Angle Adjustable Extension Length:		
<input type="checkbox"/> 12"-14.5" <input type="checkbox"/> 14.5" -18" <input type="checkbox"/> 17.5" -21"		
Angle Adjustable Footplate Size:		
<input type="checkbox"/> 4" x 6" <input type="checkbox"/> 5" x 6" <input type="checkbox"/> 5" x 8"		
<input type="checkbox"/> 6" x 8" <input type="checkbox"/> 6" x 11" <input type="checkbox"/> 8" x 11"		
<input type="checkbox"/> Calf Pad Adjustment		
<input type="checkbox"/> 1 Hole <input type="checkbox"/> 3 Hole <input type="checkbox"/> 6 Hole		

1. Legrest Extensions are measured from seatpan to footplate.
2. Includes Heel Loops

FRONT RIGGING ACCESSORIES

Description	Price	HCPCS Code
<input type="checkbox"/> Wheel Bumpers	\$25	
<input type="checkbox"/> Heel Loops (pair) ¹	\$38	E0951
<input type="checkbox"/> Gel Neoprene Footrest Sleeve (pair) ²	\$65	K0108
<input type="checkbox"/> ELR/ALR Adductor Buttons (pair)	\$125	K0108
<input type="checkbox"/> POSAlinc Knee Adductor for Swing-Away Legrests (pair)*	\$256	K0108
<input type="checkbox"/> POSAlinc Rail Mounted Knee Adductor (pair) *	\$287	K0108
<input type="checkbox"/> Residual Limb Support	\$300	E1020
<input type="checkbox"/> Left <input type="checkbox"/> Right		
<input type="checkbox"/> Bodypoint Ankle Huggers (pair)*	\$134	K0108
<input type="checkbox"/> Small <input type="checkbox"/> Medium		
<input type="checkbox"/> Shoe Holders (pair)*	\$166	K0108
<input type="checkbox"/> Small <input type="checkbox"/> Medium		
<input type="checkbox"/> Bariatric Calf Panel*		
<input type="checkbox"/> 22"W (Fits 20"W-24"W)	\$135	
<input type="checkbox"/> 26"W (Fits 24"W-28"W)	\$145	
<input type="checkbox"/> 30"W (Fits 28"W-32"W)	\$155	

1. Standard with Angle Adjustable or Multi-Axis footplates.
2. Only available with Swing-Away legrests.

SYNERGY® SEAT CUSHIONS

Description	Price	
<input type="checkbox"/> No Cushion Required		
<i>Please refer to Synergy order forms for detailed pricing, sizes and codes.</i>		
Spectrum® Visco Cushion Skin Protection & Positioning		
<input type="checkbox"/> 20" x 18"	\$480	E2607
<input type="checkbox"/> 20" x 20" - 20" x 24"	\$530	E2607
<input type="checkbox"/> 22" x 16" - 24" x 24"	\$530	E2608
<input type="checkbox"/> 26" x 18" - 32" x 28"	\$580	E2608

ACCESSORIES

Description	Price	HCPCS Code
<input type="checkbox"/> Rear Basket ¹	\$103	
<input type="checkbox"/> Cane/Crutch Holder ¹	\$98	E2207
<input type="checkbox"/> Cup Holder	No Charge	
Side:		
<input type="checkbox"/> Left <input type="checkbox"/> Right		
<input type="checkbox"/> Saddle Bag	\$28	
<input type="checkbox"/> Flag Holder	\$17	
<input type="checkbox"/> Quantum Backpack ²	\$60	
<input type="checkbox"/> Oxygen Holder	\$150	E2208
<input type="checkbox"/> Walker Holder	\$92	K0108
<input type="checkbox"/> Tablet Holder	\$315	
<input type="checkbox"/> Deluxe Cell Phone/Media Holder	\$140	
<input type="checkbox"/> Cell Phone/Media Holder	No Charge	

1. Includes mounting hardware.
2. Backpack may interfere w/ other rear accessories. Not available w/ contoured seating.

BATTERY OPTIONS

Description	Price	HCPCS Code
<input type="checkbox"/> Group 24, 70 Amp, Gel (Universal)	\$352 ea.	E2363
<input type="checkbox"/> Group 24, 70 Amp, Gel (MK)	\$352 ea.	E2363
<i>(For Standard 2 Battery System)</i>		
<input type="checkbox"/> NF-22, 50-Amp Batteries		
<input type="checkbox"/> Maintenance Free AGM	\$255 ea.	E2361
<input type="checkbox"/> Maintenance Free Gel Cell	\$295 ea.	E2361
<input type="checkbox"/> Maintenance Free Gel Cell (MK)	\$295 ea.	E2361
<i>(For 4-Battery Extended Range System)</i>		
Installation:		
<input type="checkbox"/> Batteries Installed <input type="checkbox"/> Do Not Install		