

Q6400 Series

Order Form / Price List
Revised: September 2009



A Division of Pride Mobility Products® Corp.

Pride Mobility Products Corporation®

182 Susquehanna Ave., Exeter, PA 18643

Sales: Phone: (866) 800-2002 • Fax: (866) 707-3422

This product is available for purchase online at www.mypride.com

Account #:	Date:	Order No.	Fax No.	Phone No.
Bill To:	Ship To:	P.O. #:	Discount:	
Address:	Address:	Terms:		
Phone Contact:	Marked For:	Freight:		
DME providers are responsible for determining appropriate billing codes when submitting for insurance reimbursement. HCPCS codes should not be considered as legal advice.			All pricing is MSRP.	Taken By:

Q6400 4S-SS REFERENCE GUIDE #1-4

- Q6400 4S-SS** \$9,995 -18" W x 18" DLtd. Recline Gray vinyl high-back seat w/ Solid Seat Pan
- Group 4 / Standard -Full length armrests
- 4-Pole High-Speed Motor 8 MPH -100 amp, Q-Logic EX controller
- Package -14" Solid tires
- K0868** -8 amp off-board charger
- 300 lbs. weight capacity -60" lapbelt
- Seat Options: -Swing-away legrests
- Specialty Seat -Reinforced footplates
- Synergy Seat Omit Solid Tires (-\$213)

Select seating , front rigging options in appropriate section & base color.

Q6400 4S-C REFERENCE GUIDE #2-4

- Q6400 4S-C** \$9,995 -18" W x 18" DLtd. Recline Gray vinyl high-back seat
- Group 4 / Standard -Full length armrests
- 4-Pole High-Speed Motor 8 MPH -100 amp, Q-Logic EX controller
- Package -14" Solid tires
- K0869** -8 amp off-board charger
- 300 lbs. weight capacity -60" lapbelt
- Omit Solid Tires (-\$213)

Select seating , front rigging options in appropriate section & base color.

Q6400 4SP-SS (single power) REFERENCE GUIDE #3-4

- Q 6400 4SP-SS** \$9,995 -Flip-back, cane mounted, full length arms
- Group 4 / Single Power -100 amp, Q-Logic EX controller
- 4-Pole High-Speed Motor 8 MPH -14" Solid tires
- Package -8 amp off-board charger
- K0877** -60" lapbelt
- 300 lbs. weight capacity -Swing-away legrests
- Seat Options: -Reinforced footplates
- TB Tilt E1002 Omit Solid Tires (-\$213)
- TB Recline E1004

Select seating , front rigging options in appropriate section & base color.

When configuring power chair use reference guides to determine accessories included in the MSRP pricing package

Model number with suffix must be used for all chairs billed through Medicare.

SPECIFIC CONFIGURATION

- Q6400 \$9,782
- Q6400 4S-SS \$9,995
- Q6400 4S-C \$9,995
- Q6400 4SP-SS \$9,995
- Q6400 4MP-SS \$9,995

Programmable speed up to 8 MPH, Hammer motors
300 lbs. weight capacity 1/4 speed inhibit with all power positioning seating systems.
Power elevating seat N/A.
Range will decrease w/ High-Speed Package.

- Pediatric Strut Suspension NC
- Maximum WeightCapacity 100 lbs**

FRAME COLOR

These colors are on a painted metal frame.

- Metallic Red NC
- Metallic Blue NC
- Sunburst Orange NC
- Metallic Black NC
- Metallic Silver NC

Due to the nature of the painted frame design, color substitutions may not be made in the field.

LED FULL LIGHT PACKAGE

Includes light module, lights, harnesses & brackets

- Through Q-Logic EX w/ lights \$995
- N/A w/ Synergy Manual Tilt

MORE REFERENCE GUIDES CONTINUED ON PAGE 2

Q6400 Series
 Order Form / Price List
 Revised: September 2009

Q6400 4MP-SS (multiple power) REFERENCE GUIDE #4-4

<p><input type="checkbox"/> Q6400 4MP-SS \$9,995 Group 4 / Multiple power 4-Pole High-Speed Motor 8 MPH Package K0884 300 lbs. weight capacity</p> <p><u>Seat Options:</u> <input type="checkbox"/> TB Tilt <input type="checkbox"/> TB Recline <input type="checkbox"/> TB Tilt & Recline E1007</p>	<p>-Reclining, full length arms -100 amp, Q-Logic EX controller -14" Solid tires -8 amp off-board charger -60" lappbelt -Swing-away legrests -Reinforced footplates</p> <p><input type="checkbox"/> Omit Solid Tires (-\$213)</p>
---	---

Select seating , front rigging options in appropriate section & base color.

BATTERIES (Installed)

- Group 24, 70 amp, Gel **E2363** \$352ea
- NF-22** Battery Required w/ Vent Pkg.21 (Select below)
- NF-22, 50-amp Batteries** **E2361**
 - Maintenance-free AGM \$255ea
 - Maintenance-free Gel Cell \$295ea

Required with power elevating seat
- Group 34, 60 amp, Gel **K0108** \$330ea

BATTERY CHARGER

- 8 amp Off-board Charger Std.

EXPANDABLE CONTROLS

All joysticks must be used in conjunction w/ a Q-Logic EX controller

- CONTROLLER OPTIONS**
- Q-Logic EX Controller Std.
 - Harness for Expandable Controller Std.

All joysticks or enhanced display must be used in conjunction w/ a Q-Logic controller

- JOYSTICK OPTIONS**
- Q-Logic Electronics**
- 100 amp Q-Logic EX Joystick^{3,5} Std.
 - Q-Logic EX w/ lights NC
- Required for use with LED light package
 Can operate all power positioning functions
- 100 amp Q-Logic EX Stand Alone Joystick^{3,7} NC
 - Q-logic EX Enhanced Display^{16,29} \$1720

(Requires a secondary control to operate the power chair)

Joystick includes electronics & junction boxes.

PROGRAMMER

- Q-Logic Programmer \$423

JOYSTICK MOUNT

- Fixed, In-Line Joystick Mount Std.
 - Left
 - Right
- Quick Disconnect, Joystick Mount^{6,25} NC
 - Left
 - Right
- Swing-away Joystick Mount²² **E1028** \$210
 - 4" ²
 - 7"
 - Left
 - Right
- Multi-axis Joystick Mount **K0108** \$100
 - Left
 - Right

(Fixed, does not swing-away)

- Vertical Adj. Clamp⁸ **K0108** \$95
 Provides vertical joystick adjustment w/o adjusting armrest height.

JOYSTICK HANDLE OPTIONS

- Q-Logic EX Controls**
- Std. Knob Std.
 - Mushroom Handle **E2323** \$71
 - T-Bar **E2323** \$107
 - Chin Cup **E2324²⁸** \$71
 - Extended I-Handle **E2323** \$71
 - Soft Ball Handle **E2323** \$50
 - Medium Ball Handle **E2323** \$50
 - Goal Post Handle **E2323** \$66
 - 3" W
 - 4" W

DRIVE WHEELS

- 14" Pneumatic (pair)²⁷ NC
- 14" Flat-Free (pair) \$213

Q6400 Series
Order Form / Price List
Revised: September 2009

FRONT RIGGINGS CONT.

Footnotes for pages 1, 2 & 3

1. Std. w/ one programmable drive profile.
2. N/A with waterfall armpads and dual post armrests.
3. Needed for controlling power positioning systems.
4. Only avail. on 12" W or greater seats
5. Avail. w/ 5 individual drive profiles.
6. N/A w/ 2-post, desk length arms w/ a toggle.
7. Avail. w/ 3 profiles.
8. N/A on Specialty, contoured seating or waterfall armpads.
9. Only avail. on 16" W or greater seats.
10. Only avail. on 14" W or greater seats.
11. Only avail. on 20" W or greater seats.
12. Knee to heel length is measured from the top of the legrest to the footplate. It will increase when contoured or rehab seating w/ cushions is selected. The over all length may vary approx. 3" depending on choice of seat and /or cushion.
13. Std. w/ ang-adj. footplates.
14. Avail. w/ S/A footrests & 70 degree HD drop-ins.
15. May cause interference w/ front anti-tips w/ certain seat widths and lower leg lengths. Call Customer Service.
16. Please consult specialty controls order form for a variety of secondary controls and mounting options.
17. Power legrests are only available on TRU-Balance and Synergy Seating Systems. Only the combined & independent motion can be selected on the Synergy Seat.
18. Only avail. on TB Recline.
19. Std. calf pad is not depth adjustable.
20. Std. w/ heel loops & ang-adj. footplates, check size below.
21. Vent configuration consists of (2) Group 24 batteries and (1) NF-22.
22. Can only mount one armrest accessory in combination w/ S/A joystick.
23. Pediatric foot platform is N/A w/ 16"-18 & 18"-20" extensions.
24. Please note swing away footrests are standard when ordered with Power Positioning.
25. N/A w/ waterfall armpads; only available on Quantum Seating Systems and only one option maybe mounted.
26. 11" - 14" Ext. are N/A w/ power S/A legrests.
27. Fixed bracket, does not elevate.
28. HCPCS code E2323 when not used in conjunction with chin control.
29. Bluetooth Mouse Emulator requires a run plug harness for either static or power seating. Additional fees will apply.

NEW SWING-AWAY LEGRESTS

<input type="checkbox"/> 70° Swing-away footrests Style #8 ²⁴	\$162
<input type="checkbox"/> 70° Tapered S/A footrests Style #8 ²⁴	\$162
(N/C with power positioning systems)	
<input type="checkbox"/> Quad Release Lever	NC
S/A Standard Extensions:	
<input type="checkbox"/> 11"-13" Ext.	NC
<input type="checkbox"/> 13"-16.5" Ext	Std.
<input type="checkbox"/> 15.5"-19.5" Ext.	NC
(Lengths over 17" may cause interference)	
<input type="checkbox"/> Extruded Footplate	Std.
<input type="checkbox"/> 7.25" x 6" ¹⁰ (Tapered legs require 18"W or greater seat)	
<input type="checkbox"/> 8.5 x 6" ⁹ (Tapered legs require 20"W or greater seat)	

Angle Adjustable Footplates (pair) E0040 \$150

<input type="checkbox"/> 4"x6" ⁴ (Tapered legs require 16"W or greater seat)	
<input type="checkbox"/> 5"x6" ¹⁰ (Tapered legs require 18"W or greater seat)	
<input type="checkbox"/> 5"x8" ¹⁰ (Tapered legs require 18"W or greater seat)	
<input type="checkbox"/> 6"x8" ⁹ (Tapered legs require 20"W or greater seat)	
<input type="checkbox"/> 6"x11" ⁹ (Tapered legs require 20"W or greater seat)	
<input type="checkbox"/> 8"x11" ¹¹ (Tapered legs require 24"W or greater seat)	
<input type="checkbox"/> Wheel Bumpers	\$25

Multi-Axis Ext. (ball & socket):	
<input type="checkbox"/> 11"-16.5" Ext.	
<input type="checkbox"/> 15.5"-19.5" Ext.	

(Lengths over 17" may cause interference)

Multi-Axis Footplates (pair) K0108 \$495

<input type="checkbox"/> 4"x6" ⁴ (Tapered legs require 16"W or greater seat)	
<input type="checkbox"/> 5"x6" ¹⁰ (Tapered legs require 18"W or greater seat)	
<input type="checkbox"/> 5"x8" ¹⁰ (Tapered legs require 18"W or greater seat)	
<input type="checkbox"/> 6"x8" ⁹ (Tapered legs require 20"W or greater seat)	
<input type="checkbox"/> 6"x11" ⁹ (Tapered legs require 20"W or greater seat)	
<input type="checkbox"/> 8"x11" ¹¹ (Tapered legs require 24"W or greater seat)	
<input type="checkbox"/> Wheel Bumpers	\$25

Rigging Type (pair) E0990 \$325

<input type="checkbox"/> Elevating Leg Rests	E0990	\$325
Select footplate size for above:		
<input type="checkbox"/> 71/4 x 6	<input type="checkbox"/> 81/2 x 6	
Adjustable Calf Pads w/ ELRS (1 hole std.)		
<input type="checkbox"/> 1 hole	<input type="checkbox"/> 3 holes*	<input type="checkbox"/> 6 holes*

***Potential for interference w/ shrouds**

Extensions:

<input type="checkbox"/> 11" - 14" Ext.	
<input type="checkbox"/> 14" - 17" Ext.	
(Lengths over 17" may cause interference)	

<input type="checkbox"/> HD Drop-Ins, 70 ^{8,15,20}	\$420
---	-------

N/A w/ contoured or Specialty seating

Angle Extensions:

<input type="checkbox"/> 12" - 14.5" Ext.	NC
<input type="checkbox"/> 14.5" - 18" Ext.	
<input type="checkbox"/> 17.5" - 21" Ext.	
(Lengths over 17" may cause interference)	

<input type="checkbox"/> 90° Pediatric Swing-Away footrests Style #8 ²⁴	\$162
Extension Range 7" - 10"	
Footplates, Ang. Adj.: <input type="checkbox"/> 4"x6" ¹⁴	<input type="checkbox"/> 5"x6" ¹⁰
<input type="checkbox"/> Foot Platform ²⁷ (Substitute for S/A)	NC
<input type="checkbox"/> No Front Rigging	NC
<input type="checkbox"/> Power-elevating, high-pivot ¹⁷	E1010 \$1695
Legrests, (calf pads included) ¹⁹	
<input type="checkbox"/> Independent	<input type="checkbox"/> Combined ¹⁶
<input type="checkbox"/> Synchronized ¹⁸	
<input type="checkbox"/> Power-elevating, Articulating Legrests ^{17,20}	E1010 \$2395
Articulating Range: <input type="checkbox"/> 4" L Std. <input type="checkbox"/> 6" L NC	
Set at: <input type="checkbox"/> 70°	
<input type="checkbox"/> Independent	<input type="checkbox"/> Combined
<input type="checkbox"/> Synchronized ¹⁸	
<input type="checkbox"/> Swing-away Power-elevating, Articulating Legrests ^{17,20,26}	E1010 \$2395
Articulating Range: <input type="checkbox"/> 4" L Std.	
Set at: <input type="checkbox"/> 70°	
<input type="checkbox"/> Quad Release Lever	NC
<input type="checkbox"/> Independent	<input type="checkbox"/> Combined
<input type="checkbox"/> Synchronized ¹⁸	
<input type="checkbox"/> Calf Pads Left & Right (6 x 5.35)	Std.
<input type="checkbox"/> Calf Pads Left & Right (8.00 x 5.86)	NC

<input type="checkbox"/> Power Articulating Foot Platform K0108	\$2,895
---	---------

<input type="checkbox"/> Synchronized	<input type="checkbox"/> Non-Synchronized
w/ split ang. adj. foot platform	
-8" of Articulation	

- Elevation range 90°-170°

Adjustment Packages	NC
---------------------	----

<input type="checkbox"/> 12"-14"	<input type="checkbox"/> 14"-16"
----------------------------------	----------------------------------

<input type="checkbox"/> 16"-18" (depth adj)	<input type="checkbox"/> 18"-20" (depth adj)
--	--

Select Foot platform for above: Adult Pediatric²³

(Lengths over 17" may cause interference)

18" - 20" Adj. Package requires a minimum STF

of 20" to accommodate for ground clearance

<input type="checkbox"/> Connection Bracket	\$49
---	------

<input type="checkbox"/> Heel Cups	K0108 \$39
------------------------------------	------------

Footplates (pair)

<input type="checkbox"/> Reinforced Footplate	Std.
---	------

<input type="checkbox"/> 7.25" x 6" ¹⁰	<input type="checkbox"/> 8.5 x 6" ⁹
---	--

<input type="checkbox"/> 5"x8" Angle-Adj. Footplate ¹⁰	K0040 \$150
---	-------------

<input type="checkbox"/> 6"x8" Angle-Adj. Footplate ⁹	K0040 \$150
--	-------------

<input type="checkbox"/> 6"x11" Angle-Adj. Footplate ⁹	K0040 \$150
---	-------------

<input type="checkbox"/> 8"x11" Angle-Adj. Footplate ¹¹	K0040 \$150
--	-------------

<input type="checkbox"/> Wheel Bumpers (Ang-adj. only)	\$25
--	------

Extensions:¹²

<input type="checkbox"/> 11"-14" Ext. ²⁶ (\$125 w/ power legs)	NC
---	----

<input type="checkbox"/> 14"-17" Ext	Std.
--------------------------------------	------

<input type="checkbox"/> High mount Clamp-on; Ang. Adj.	K0040 \$326
---	-------------

<input type="checkbox"/> Small	<input type="checkbox"/> Large
--------------------------------	--------------------------------

<input type="checkbox"/> High mount Clamp-on; Multi-axis	K0108 \$412
--	-------------

<input type="checkbox"/> Small	<input type="checkbox"/> Large
--------------------------------	--------------------------------

<input type="checkbox"/> High mount footplatform ¹⁹	K0108 \$450
--	-------------

Mid-wheel 6 foot platform

Lower Extensions

<input type="checkbox"/> 10"-14" L	
------------------------------------	--

<input type="checkbox"/> 14"-17" L	
------------------------------------	--

Rigging Options

<input type="checkbox"/> Heel Loops (pair) ¹³	E0951 \$38
--	------------

<input type="checkbox"/> Gel Neoprene Footrest	K0108 \$65
--	------------

<input type="checkbox"/> Sleeve (pair) ¹⁴	
--	--

<input type="checkbox"/> ELR / ALR Adductor Buttons (pair)	K0108 \$100
--	-------------

<input type="checkbox"/> POSAlinc Knee Adductor (pair)	K0108 \$464
--	-------------

for S/A legrests	
------------------	--

<input type="checkbox"/> Residual limb support left	E1020 \$300
---	-------------

<input type="checkbox"/> Residual limb support right	E1020 \$300
--	-------------

Q6400 Series

Order Form / Price List
Revised: September 2009

STANDARD SEATING

Medium-Back **NC**

Medium-Back
w/ Solid Seat Pan^{1,2} **NC**

- Brown Vinyl
- Beige Vinyl
- Gray Vinyl
- Black Vinyl
- Gray Fabric
- Brown Fabric

Medium-Back Seating Dimensions (Dimensions 18"W x 18"D)

Width:	Depth:		
<input type="checkbox"/> 16" NC	<input type="checkbox"/> 16" NC		
<input type="checkbox"/> 18" Std.	<input type="checkbox"/> 18" Std.		

UPGRADED SEATING

Ltd. Recline High-Back w/ Headrest **NC**

Ltd. Recline High-Back with Headrest^{1,2}
w/ Solid Seat Pan **NC**

- Black Vinyl
- Gray Vinyl
- Beige Vinyl
- Gray Fabric
- Brown Fabric

High-Back Seating Dimensions (Dimensions 18"W x 18"D)

Width:	Depth:		
<input type="checkbox"/> 16" NC	<input type="checkbox"/> 16" NC		
<input type="checkbox"/> 18" Std.	<input type="checkbox"/> 18" Std.		
<input type="checkbox"/> 20" NC	<input type="checkbox"/> 20" NC		
<input type="checkbox"/> 22" NC			

22" W AND ABOVE WILL NOT BE LTD RECLINE.

ARMRESTS

For Medium and High-Back Seats

- Flip-up, removable **Std.**
- Flip-up, height-adjustable **E0973 \$170**
removable⁴

Armpads

- Desk Length, 10" **NC**
- Left **NC** Right **NC**
- Full Length, 14" **NC**
- Left **Std.** Right **Std.**

MANUAL RECLINER ^{2,5}

Manual Recline High Back **E1226 \$600**

Manual Recline High Back¹ **E1226 \$600**
w/ Solid Seat Pan

(180 degrees of Recline)
(Dimensions 18"W x 18"D)

- Gray Vinyl Beige Vinyl
- | | | | |
|--|--|--|--|
| Width: | Depth: | | |
| <input type="checkbox"/> 16" NC | <input type="checkbox"/> 16" NC | | |
| <input type="checkbox"/> 18" Std. | <input type="checkbox"/> 18" Std. | | |
| <input type="checkbox"/> 20" NC | <input type="checkbox"/> 20" NC | | |

When ordering a lap belt with this seat, an additional 10" is added to accommodate usable length

CUSHIONS⁶

- Simplicity Cushion

16 x 16 - 20 x 20	E2601	\$98
22 x 16 - 24 x 24	E2602	\$98
- Solution 1 Cushion

14 x 14 - 20 x 18	E2603	\$380
20 x 20 - 20 x 24	E2603	\$430
22 x 16 - 24 x 24	E2604	\$430
- Solution Cushion

10 x 10 - 20 x 18	E2607	\$380
20 x 20 - 20 x 20	E2607	\$430
22 x 16 - 22 x 20	E2608	\$430
- Spectrum Cushion
 - Gel

10 x 10 - 20 x 18	E2605	\$480
20 x 20 - 20 x 20	E2605	\$530
22 x 16 - 22 x 20	E2606	\$530
 - Visco

10 x 10 - 20 x 18	E2607	\$480
20 x 20 - 20 x 20	E2607	\$530
22 x 16 - 22 x 20	E2608	\$530
- Structure 2 Cushion

14 x 16 - 20 x 18	K0734	\$480
20 x 20 - 20 x 20	K0734	\$580
22 x 18 - 22 x 20	K0735	\$580
- Spectrum Air

14 x 12 - 20 x 24	K0734	\$480
22 x 16 - 24 x 24	K0735	\$530
- Spectrum Air Contour

14 x 12 - 20 x 24	K0736	\$499
22 x 16 - 24 x 24	K0737	\$549

SPECIALTY SEATING

Specialty Seat Kit (limited adjustability) **NC**

SYSTEM SPECIFICATIONS

Specialty Seating Kit Width

- 16" **NC**
- 18" **Std.**
- 20" **NC**

Specialty Seating Kit Depth

- 16" **Std.** 17" **NC**
- 18" **NC** 19" **NC**
- 20" **NC**

Specialty Seating Kit Back Cane Height

- 18" **Std.** 20" **NC**
- 22" **NC**

Back Selection

- See Synergy Shape Back Order Form^{11,12,13}
- Solid Plate Back up to 20"W ⁸ **\$275**
- Omit Back
- See Positioning Components Order Form for additional backs

Back Height Solid Pan ¹⁴

- | | |
|--|--|
| <input type="checkbox"/> 18" Std. | <input type="checkbox"/> 19" NC |
| <input type="checkbox"/> 20" NC | <input type="checkbox"/> 21" NC |
| <input type="checkbox"/> 22" NC | <input type="checkbox"/> 23" NC |
| <input type="checkbox"/> 24" NC | <input type="checkbox"/> 25" NC |

Sling Back

- 16" wide **\$98**
- 18" wide **\$98**
- 20" wide **\$98**

Sling Back Height

- (Hgt must match cane hgt.)
- 18" height **NC**
 - 20" height **NC**
 - 22" height **NC**

Push Bar selection must match back width; center tube standard when selecting flip-up arms.

ARMRESTS

- 2-Post, fixed, flip-back^{13,16} **Std.**
- Flip-back, cane mounted^{13,16} **\$95ea**
- Removable, adjustable, quick height^{7,15} **E0973 \$275ea**
11"-17" of height adj. 3" on top in 1/2" increments & 3" on bottom in 1" increments
- Removable, height adjustable⁷ **E0973 \$150ea**
heavy duty armrests
 - 8"H-12"H
 - 10"H-14"H

Armrest Pads

- Full Length, straight, 2"x14" **NC**
 - Left Right
- Desk Length, straight, 2"x10" **NC**
 - Left Right
- Full Length, Waterfall, 2"x14"⁹ **NC**
 - Left Right
- Desk Length, Waterfall, 2"x10"^{9,10} **NC**
 - Left Right

HEAD REST³

- Stealth **E0955**
 - Large (11"W x 6" H) Small (9 3/4" W x 3" H) **\$205**
 - Stealth Comfort Plus **E0955**
 - Small (10"W) Large (14" W) **\$205**
 - Removable Head Rest Bracket **E1028 \$210**
 - Stealth, swing-away (Flip-Down) Head Rest Bracket **E1028 \$210**
- Interfaces w/ any headrest that uses 1/2" square down-tube.
- Medical Applications **E0955**
 - Large (11"W x 6" H) Small (9 3/4" W x 3" H) **\$230**
 - Removable Head Rest Bracket **E1028 \$235**
 - Fixed, Offset Mounting Bracket **NC**
 - Removable Bracket for **E1028 \$210**
after market headrest

Footnotes for pages 3:

1. Includes black vinyl seat pan, back available in all listed colors.
2. 18" x 18" std. Special measurements are not available.
3. Only available w/ solid backs.
4. N/A on manual recliner.
5. Rear mount accessories are N/A.
6. See Synergy Cushion order forms for detailed pricing, sizes & codes.
7. Desk length armrests w/ an accessory limit the accessibility to the height adj. lever.
8. 20"D is N/A.
9. Only avail. on removable, adjustable, quick-height arms & pediatric arms.
10. S/A joystick mount N/A.
11. 14" & 22" width are N/A.
12. Micro-drive, Shape Back & high-mount foot platform are N/A in the same configuration.
13. Shape Back & w/ flip-back arms may interfere in the same configuration, call for details.
14. Measured from seat pan to top of back pan w/ 3" gap to accommodate the cushion.
15. Tools are required to obtain additional 4" of height adjustment at bottom of armrest. 3" of adjustment at top requires no tools. Total available adjustment range is 11" - 17".
16. S/A laterals interfere w/ flip-back arms.

Q6400 Series

Order Form / Price List
Revised: September 2009

Synergy Seating Systems¹¹

- Synergy SeatingTM System \$434
(On chair MSRP)
- Std. Stem Mount NC
- 2" Extended Vertical Stem Mounts NC
- (Cannot achieve lowest Seat to Floor Height)**
- Synergy Manual Recline Pkg.^{12,13,14,15,21} \$700
Maximum weight 300 lbs. E1226
- Synergy Manual Tilt Pkg.^{13,16} \$550
(Max Dimensions 14"W x 14"D) K0108
Maximum weight 75 lbs.

Synergy Manual Systems come standard with mercury drive lock-out and are in addition to the MSRP of the Synergy Seat.

WIDTH

Set Seat Width At:

- | | |
|-----------------------------------|---------------------------------|
| <input type="checkbox"/> 10" NC | <input type="checkbox"/> 11" NC |
| <input type="checkbox"/> 12" NC | <input type="checkbox"/> 13" NC |
| <input type="checkbox"/> 14" NC | <input type="checkbox"/> 15" NC |
| <input type="checkbox"/> 16" NC | <input type="checkbox"/> 17" NC |
| <input type="checkbox"/> 18" Std. | <input type="checkbox"/> 19" NC |
| <input type="checkbox"/> 20" NC | <input type="checkbox"/> 21" NC |
| <input type="checkbox"/> 22" NC | |

Seat Width Package

- | | |
|------------------------------------|------------------------------------|
| <input type="checkbox"/> 10"W-14"W | <input type="checkbox"/> 14"W-18"W |
| <input type="checkbox"/> 16"W-20"W | <input type="checkbox"/> 20"W-22"W |

Seat Width Package Manual Tilt

- | | |
|------------------------------------|------------------------------------|
| <input type="checkbox"/> 10"W-12"W | <input type="checkbox"/> 12"W-14"W |
|------------------------------------|------------------------------------|

DEPTH

Set Seat Depth At:

- | | |
|-----------------------------------|---------------------------------|
| <input type="checkbox"/> 10" NC | <input type="checkbox"/> 11" NC |
| <input type="checkbox"/> 12" NC | <input type="checkbox"/> 13" NC |
| <input type="checkbox"/> 14" NC | <input type="checkbox"/> 15" NC |
| <input type="checkbox"/> 16" Std. | <input type="checkbox"/> 17" NC |
| <input type="checkbox"/> 18" NC | <input type="checkbox"/> 19" NC |
| <input type="checkbox"/> 20" NC | |

Seat Depth Package

- | | |
|------------------------------------|------------------------------------|
| <input type="checkbox"/> 10"D-14"D | <input type="checkbox"/> 14"D-18"D |
| <input type="checkbox"/> 16"D-20"D | |

Seat Depth Package Manual Tilt

- | |
|------------------------------------|
| <input type="checkbox"/> 10"D-14"D |
|------------------------------------|

Please consult your Quantum Specialist or contact the Custom Group before ordering

BACK CANES²

- Straight Std.
- Flip Down²³ \$150
 - Offset (Meso) \$195
 - Inset (Endo) \$195
 - 2" (1" per side)
 - 4" (2" per side)

**N/A with TRU-Comfort, Dual Post, Flip-back armrests may interfere with offset armrests .
N/A w/ any reclining systems.**

Actual Back Cane Height is reflected in measurement

Synergy Manual Recline comes standard with 22" non-height adjustable back canes.

Back Cane Height

- | | |
|-----------------------------------|---------------------------------|
| <input type="checkbox"/> 14" NC | <input type="checkbox"/> 15" NC |
| <input type="checkbox"/> 16" NC | <input type="checkbox"/> 17" NC |
| <input type="checkbox"/> 18" Std. | <input type="checkbox"/> 19" NC |
| <input type="checkbox"/> 20" NC | <input type="checkbox"/> 21" NC |
| <input type="checkbox"/> 22" NC | <input type="checkbox"/> 23" NC |
| <input type="checkbox"/> 24" NC | <input type="checkbox"/> 25" NC |

BACK OPTIONS

- See Synergy Shape Back Order Form^{1,3}
- Solid Plate Back up to 20" W¹⁰ \$275
- Solid Plate Back 21-24" W¹⁰ \$325

Back Height:⁴

- | | | | |
|---|-------------------------------|-------------------------------|-------------------------------|
| <input type="checkbox"/> 18"H | <input type="checkbox"/> 19"H | <input type="checkbox"/> 20"H | <input type="checkbox"/> 21"H |
| <input type="checkbox"/> 22"H | <input type="checkbox"/> 23"H | <input type="checkbox"/> 24"H | <input type="checkbox"/> 25"H |
| <input type="checkbox"/> Sling Back ²⁰ | \$98 | | |

Back height will be the same as back can height.
Includes gap for cushion.
Push Bar selection must match back width; center tube standard when selecting flip-up arms.

TRU-Comfort Back^{12,22}

(Even sizes only 16" W - 22"W)

- | | | |
|---|-----------------------------------|---|
| <input type="checkbox"/> Std. | <input type="checkbox"/> New Plus | |
| Back Height: | | <input type="checkbox"/> 22" <input type="checkbox"/> 25" |
| <input type="checkbox"/> Back up to 20" W | E2620 | \$595 |
| <input type="checkbox"/> Back up to 22"W | E2621 | \$695 |

- TRU-Comfort Cushion
 - 16 x 16 - 20 x 18 E2601 \$380
 - 20 x 20 - 20 x 22 E2601 \$380
 - 22 x 16 - 22 x 24 E2602 \$480

- TRU-Comfort Plus Cushion
 - 16 x 16 - 20 x 18 E2603 \$380
 - 20 x 20 - 20 x 22 E2603 \$380
 - 22 x 16 - 22 x 24 E2604 \$480

- Omit Back -(\$100)

See TRU-Comfort Back & Cushion order forms for specific sizes

TRU-Comfort Plus-utilizes a 4-way stretch material cover on cushions & backs

ARMRESTS

- Flip-back, cane mounted^{3,5,18} Std.
- 2-Post, flip-back, height^{3,5,19} E0973 \$150ea
adjustable, removable armrests
(9"-13" of height adjustment in 1" increments)
- Single Post Height adj., removable^{6,9} \$75ea
11"-17" of height adj. 3" on top in 1/2"E0973 increments & 3" on bottom in 1" increments
- Quad Release Lever NC

- Removable, height adjustable⁹ E0973 \$75ea
heavy duty armrests

- | | |
|-----------------------------------|------------------------------------|
| <input type="checkbox"/> 8"H-12"H | <input type="checkbox"/> 10"H-14"H |
|-----------------------------------|------------------------------------|

- Pediatric removable⁹ E0973 \$75ea
adjustable, quick height.
 - Match Shroud Color
 - Black
- Quad Release Lever NC
(7 3/4" - 9 3/4" height adjustment in 1/2" increments from seat pan to top of armrest)

ARMPADS

- Full length, Straight, 2" X 14" Std.
 - Left
 - Right
- Desk Length, Straight, 2" X 10" Std.
 - Left
 - Right
- Full Length, Waterfall, 2" X 14"⁷ NC
 - Left
 - Right
- Desk Length, Waterfall, 2" X 10"^{7,17} NC
 - Left
 - Right

HEAD REST⁸

- Stealth E0955
 - Large (11"W x 6" H)
 - Small (9 3/4" W x 3" H) \$205
- Stealth Comfort Plus E0955
 - Small (10"W)
 - Large (14" W) \$205
- Removable Head Rest Bracket E1028 \$210
- Stealth, swing-away (Flip-Down)
 - Head Rest Bracket E1028 \$210

Interfaces w/ any headrest that uses 1/2" square down-tube.

Medical Applications E0955

- Large (11"W x 6" H)
- Small (9 3/4" W x 3" H) \$230
- Removable Head Rest Bracket E1028 \$235
- Fixed, Offset Mounting Bracket NC

TRU-Comfort E0955

- 8" Wide
- 10" Wide \$205
- Cobra Removable Head Rest Bracket E1028 \$210
- Removable Bracket for E1028 \$210
after market headrest

Footnotes for pages 4:

1. 14" & 22" width are N/A.
2. Height is measured from seat pan to top of cane.
3. Shape Back & w/ flip-back arms may interfere in the same configuration, call for details.
4. Measured from seat pan to top of back pan w/ 3" gap to accommodate the cushion.
5. S/A laterals interfere w/ flip-back arms.
6. Tools are required to obtain additional 4" of height adjustment at bottom of armrest. 3" of adjustment at top requires no tools. Total available adjustment range is 11" - 17".
7. Only avail. on removable, adjustable, quick-height arms & pediatric arms.
8. Available w/ solid backs only.
9. Desk length armrests w/ an accessory limit the accessibility to the height adj. lever.
10. Solid plate back is N/A w/manual recline.
11. Manual systems do not include a headrest.
12. N/A w/ flip-back, cane mounted arms.
13. Solid back not included.
14. Includes removable, adjustable, quick-height armrests.
15. N/A w/ Shape Back.
16. Manual Tilt w/ Shape back & oxygen tank holder requires the use of a pushbar.
17. N/A w/ S/A joystick mount.
18. N/A w/ Synergy manual recline.
19. May cause interference with certain dimension configurations. Call Quantum Customer Service.
20. N/A w/ Synergy manual systems.
21. N/A w/ TRU-Comfort.
22. Back height is measured from the top of a 3" cushion on the seat.
23. N/A w/ TB power recline, Endo/Meso canes, Synergy Manual Systems, vent trays, bariatric or waterfall armpads, occupied transit kit, TRU-Comfort or sling backs. May also interfere w/ lateral supports.

Q6400 Series

Order Form / Price List
Revised: September 2009

TRU-BALANCE TILT

TRU-Balance Power Tilt **E1002** \$4,995
55 degree center of gravity (CG) power tilt seating system. 300lbs weight capacity.

TRU-BALANCE RECLINE

TRU-Balance Power Recline **E1004** \$5,595
Full Drive lock-out at 20 degrees
300 lbs. weight capacity

TRU-BALANCE TILT & RECLINE

TRU-Balance Power Tilt & Recline **E1007** \$9,595
Full Drive lock-out at 20 degrees
300 lbs. weight capacity
55 degree center of gravity
(CG) power tilt seating system.

TRU-BALANCE 10" LIFT

TRU-Balance 10" of Lift¹ \$2,895
STF: 20"

- 10" of scissor Lift, must select TB Tilt or TB Tilt & Recline in conjunction with this lift
- 1/4 Speed Inhibit
- 300 lbs. max. wt.
- Allowable dimensions 16" x 16" - 22" x 20"
- Requires Q-Logic, N/A w/ Q-logic & toggle
- N/A w/ TB Recline only or Manual Recline
- N/A w/ static seating
- Requires fixed towers

TRU-BALANCE 7" PES

TRU-Balance Power Elevating Seat¹ \$1,895
-7" of lift w/ power elevating seat
-1/4 Speed Inhibit
- 300 lbs. max. wt.
- 20" x 20" max. seat dimensions
- N/A w/ static seating

SYSTEM SPECIFICATIONS

Tower Selection(Tilt or Tilt/Recline only)

Adjustable-angle Std
Will raise minimum STF by 7/8".
 Fixed NC

Set Seat Width At:

<input type="checkbox"/> 14" NC	<input type="checkbox"/> 15" NC
<input type="checkbox"/> 16" NC	<input type="checkbox"/> 17" NC
<input type="checkbox"/> 18" Std.	<input type="checkbox"/> 19" NC
<input type="checkbox"/> 20" NC	<input type="checkbox"/> 21" NC
<input type="checkbox"/> 22" NC	

Seat Width Package

14"W-18"W 16"W-20"W
 20"W-22"W

Set Seat Depth At:

<input type="checkbox"/> 14" NC	<input type="checkbox"/> 15" NC
<input type="checkbox"/> 16" Std.	<input type="checkbox"/> 17" NC
<input type="checkbox"/> 18" NC	<input type="checkbox"/> 19" NC
<input type="checkbox"/> 20" NC	

Seat Depth Package

14"D-18"D 16"D-20"D

Push Bar selection must match back width;
center tube standard when selecting flip-up arms.

Please consult your Quantum Specialist or contact the Custom Group before ordering

BACK CANES¹⁹

Straight Std
 Flip Down³³ \$150
 Offset(Meso) \$195 Inset (Endo) \$195
 2" (1" per side) 4" (2" per side)

N/A with TRU-Comfort, Dual Post, Flip-back armrests may interfere with offset armrests . N/A w/ any reclining systems.

Actual Back Cane Height is reflected in measurement

22" Fold-down back canes \$250

Only Avail. on Tilt & Lift & Tilt

Set Back Cane Height At:

<input type="checkbox"/> 14" NC	<input type="checkbox"/> 15" NC
<input type="checkbox"/> 16" Std.	<input type="checkbox"/> 17" NC
<input type="checkbox"/> 18" NC	<input type="checkbox"/> 19" NC
<input type="checkbox"/> 20" NC	<input type="checkbox"/> 21" NC
<input type="checkbox"/> 22" NC	<input type="checkbox"/> 23" NC
<input type="checkbox"/> 24" NC	<input type="checkbox"/> 25" NC

Seat Overall Back Height³

Back heights of 22"-28" include a 6" lateral extension. Please select if required

with other back heights

6" Lateral Extensions NC

<input type="checkbox"/> 14" NC	<input type="checkbox"/> 15" NC
<input type="checkbox"/> 16" NC.	<input type="checkbox"/> 17" NC
<input type="checkbox"/> 18" Std.	<input type="checkbox"/> 19" NC
<input type="checkbox"/> 20" NC	<input type="checkbox"/> 21" NC
<input type="checkbox"/> 22" NC	<input type="checkbox"/> 23" NC
<input type="checkbox"/> 24" NC	<input type="checkbox"/> 25" NC

BACKS

See Synergy Shape Back Order Form⁶
 Solid Plate Back⁴ Std.
 Omit Back
 Attendant manual recline^{4,24,25,26,27} **E1226** \$750
180 degrees of recline with 2 1/2" raised pivot point. Controlled through dual gas struts. 300 lb. weight capacity.

(For use on TB Tilt Systems only)

TRU-Balance Reclining Back Std.

(For use on Recline Systems only)

TRU-Comfort Back^{4,18,19}

(Even sizes only 16" W - 22"W)

Std. New Plus

Back Height: 22" \$595 25" \$695
 Back up to 20" W **E2620**
 Back up to 22"W **E2621**

TRU-Comfort Cushion
16 x 16 - 20 x 18 **E2601** \$380
20 x 20 - 20 x 22 **E2601** \$380
22 x 16 - 22 x 24 **E2602** \$480

TRU-Comfort Plus Cushion
16 x 16 - 20 x 18 **E2603** \$380
20 x 20 - 20 x 22 **E2603** \$380
22 x 16 - 22 x 24 **E2604** \$480

Omit Back -(\$100)

See TRU-Comfort Back & Cushion order forms for specific sizes

TRU-Comfort Plus-utilizes a 4-way stretch material cover on cushions & backs

ARMRESTS

Flip-back, cane mounted^{5,9,14} Std.
Mounted on back canes with full width spreader bar.
 2-Post, flip-back, hgt. adj, removable^{9,15} NC
(9"-13" of height adjustment in 1" increments)
 Single Post Height adj., removable^{15,16} NC
11"-17" of height adj. 3" on top in 1/2"

increments & 3" on bottom in 1" increments
 Quad Release Lever NC
 Removable, single-post,¹⁶ height adjustable, heavy duty NC
 8"-12" Adjustment
 10"-14" Adjustment

Pediatric, removable,¹⁶ adjustable, quick height NC
(7 3/4" - 9 3/4" height adjustment in 1/2"

increments from seat pan to top of armrest)

Quad Release Lever NC

Match Shroud Kid Color Black

Reclining, Flip-back⁹ Std.

8"-9" H 10"-11" H

(For use on Recline Systems only)

Armrest Pads

Full Length, straight, 2"x14" NC

Left Right

Desk Length, straight, 2"x10" NC

Left Right

Full Length, Waterfall, 2"x14"¹⁷ NC

Left Right

Desk Length, Waterfall, 2"x10"^{2,17} NC

Left Right

HEAD REST

Stealth **E0955**
 Large (11"W x 6" H) Small (9 3/4" W x 3" H) \$205

Stealth Comfort Plus **E0955**
 Small (10"W) Large (14" W) \$205

Removable Head Rest Bracket **E1028** \$210

Stealth, swing-away (Flip-Down) Head Rest Bracket **E1028** \$210

Interfaces w/ any headrest that uses 1/2" square down-tube.

Medical Applications **E0955**
 Large (11"W x 6" H) Small (9 3/4" W x 3" H) \$230

Removable Head Rest Bracket **E1028** \$235

Fixed, Offset Mounting Bracket NC

Reclining Head Rest (6.5" x 7") **E0955** \$205

Removable Head Rest Bracket **E1028** \$210

(For use on Recline Systems only)

TRU-Comfort **E0955**
 8" Wide 10" Wide \$205

Cobra Removable Head Rest Bracket **E1028** \$210

Removable Bracket for **E1028** \$210
after market headrest

Q6400 SeriesOrder Form / Price List
Revised: September 2009**POWER POSITIONING ELECTRONICS****Select Electronics to be used**

- Q-Logic EX
 Q-Logic EX w/ lights

SINGLE POWER ELECTRONICS**Power Tilt or Power Recline**

- Through Toggle Box²⁰ (Tilt only) NC
 Left Right (mounts to side of armrest)

- Through Single Switch (1/8" Jack)
 Tilt Module^{21,22} (Tilt only) \$500

- Through Q-Logic EX Controller E2310 \$1175

- Through Q-Logic EX w/ lights Controller E2310 \$1175

Multiple Motor/Actuator Electronics*:

* At least one TB2 seat function
 plus power riggings

- Operation Q-Logic EX Controller E2311 \$2375

- Operation Q-Logic EX w/ lights Controller E2311 \$2375

- Operation through toggle¹⁴ \$2375

**When independent legs are selected; they
 will run combined through the toggle**

MULTIPLE POWER ELECTRONICS^{23,31}

(Select one)

- 4-way Toggle
 4-way Button Toggle
 Quad Push-Button Control

Toggle box mounts to side of armrest.

- Left Right

Power Tilt & Recline

- Operation Q-Logic EX Controller E2311 \$2375

- Operation Q-Logic EX w/ lights Controller E2311 \$2375

- Operation through toggle¹⁴ \$2375

**When independent legs are selected; they
 will run combined through the toggle**

(Select one)

- 4-way Toggle
 4-way Button Toggle
 Quad Push-Button Control

Toggle box mounts to side of armrest.

- Left Right

POSITIONING COMPONENTS²⁵**Stealth - Available w/ TRU-Comfort**

- Thoracic Lateral Flat Pad -3x5 E0956 \$200pr
 Thoracic Lateral Flat Pad -4x6 E0956 \$200pr
 Thoracic Lateral Pad Curved-3x5* E0956 \$200pr
 Thoracic Lateral Pad Curved-4x6* E0956 \$200pr
 *Applicable w/ 1" offset bracket below
 125° Swing Away Bracket³⁰ E1028 \$420pr

N/A on TB Recline or TRU-Comfort

- Thoracic Lateral Pad Curved-2x3 E0956 \$200pr
 Swing-Away Flush to 1" Offset, Back Cane-Mounted³⁰ E1028 \$450pr

A.R.T. Group Laterals

- Thoracic Curved Pad-3x4 E0956 \$200pr
 Thoracic Curved Pad-5x6 E0956 \$200pr
 Thoracic Tapered Pad-3x4 E0956 \$200pr
 Thoracic Tapered Pad-4x5 E0956 \$200pr
 Thoracic Tapered Pad-5x6 E0956 \$200pr
 EZ Access Bracket (N/A w/ Flat Pad) E1028 \$450pr
 Rail Mount Swing-Away Bracket³⁰ E1028 \$420pr

(Above for use with TB 2 Recline Systems)

- Hip & Thigh Short Pad E0956 \$200pr
 Hip & Thigh Medium Pad E0956 \$200pr
 Hip & Thigh Long Pad E0956 \$200pr
 Hip & Thigh Removable Bracket³⁰ E1028 \$420pr

- 2" Height Adaptor Plate (INDPART2530) \$24.00 ea

-Must order quantity of 2 K0108

-Require for all Hip and Thigh Laterals

ACCESSORIES

- Rear Basket^{6,7,12} \$103
 Cane/Crutch Holder^{6,7,12} E2207 \$98
 Oxygen Holder^{6,7,12,13} E2208 \$103
 Oxygen Holder^{6,7,10,13,28} E2208 \$150
 (TRU-Balance 2 Tilt & Synergy Seat only)
 Stroller handle \$85
 (Synergy Manual Tilt only)
 Accessory Mounting Bracket \$50
 (1" adaptor tube for use w/ TB Power Recline)
 Walker Holder^{6,7} K0108 \$92
 Flag Holder (SOFO on Power Positioning) \$17
 Weather Cover, Large, Black \$202
 Saddle bag (contoured seating only) \$28
 Cup holder \$17

- Left Right

N/A on desk length arm with S/A
mount or toggle box.

- Lap Belt Std.

- Pediatric 38" N/A w/ limited recline seating

- 50"⁸ 60" 70" 80" 90"

- Vent battery storage kit¹¹ \$250

(Includes extended battery cover, strap &
bracket, for use with third battery in base)

Can accommodate up to NF-22 battery-not included

N/A w/ footplatform, high mount footplatform
or super low system**Footnotes for pages 5, 6 & 7 :**

- STF will increase.
- S/A joystick mount N/A.
- Measured from seat pan to top of back pan w/ 3-4" gap on tilt & 7-8" gap on recline to accommodate the cushion.
- N/A w/ flip-back, cane mounted arms.
- Shape Back & w/ flip-back arms may interfere in the same configuration, call for details.
- Includes mounting bracket and hardware.
- N/A on reclining seats.
- N/A on manual recline high-back.
- S/A laterals interfere w/ flip-back arms.
- Manual Tilt w/ Shape Back and oxygen holder requires the use of a pushbar.
- Vent Tray is SOF due to vent and seating type.
- N/A w/ tilt systems.
- N/A w/ flip-back arms.
- N/A w/ Attendant manual recline.
- Tools are required to obtain additional 4" of height adjustment at bottom of armrest. 3" of adjustment at top requires no tools. Total available adjustment range is 11" - 17".
- Desk length armrests w/ an accessory limit the accessibility to the height adj. lever.
- Only avail. on removable, adjustable, quick-height arms & pediatric arms.
- 14"-18" recline width package N/A.
- Back height is measured from the top of a 3" cushion on the seat.
- N/A w/ waterfall armpads.
- Consult specialty control order form for a wide variety of switch types and sizes.
- Does not include switch.
- Multiple motor controller options are only available w/ a PES.
- N/A w/ Shape Back.
- Includes price for removable, adjustable, quick-height arms & 2-post arms.
- Only available on TB Tilt Systems.
- Solid plate back is N/A w/ manual recline.
- TB2 Tilt w/ TRU-Comfort & O2 holder is SOF.
- Please refer to Positioning Components order form for details on coding, hardware & pad size.
- S/A laterals interfere w/ flip back arms.
- Tilt & elevate combo will not have an attendant control.
- N/A w/ TB power recline, Endo/Meso canes, Synergy Manual Systems, vent trays, bariatric or waterfall armpads, occupied transit kit, TRU-Comfort or sling backs. May also interfere w/ lateral supports. O2 Tank Holder is N/A when flip-down canes are selected w/ any TB Tilt.

Q6400 Series

Order Form / Price List
Revised: September 2009

VENT TRAY

Compact Vent Tray \$1,395

Mounts: Flush** 3" Offset* 6" Offset

* N/A w/ flip-back cane mounted arms.

** N/A w/ power positioning systems

Available on Synergy, TRU-Balance 2 Power Positioning & TRU-Comfort seating.

The addition of a compact vent tray may increase the length & weight of your power chair.

Bracket selection is not required with TB Recline, Tilt & Recline & TRU-Comfort, the bracket is preselected.

Depending on the COG, the 6" offset bracket used with the Synergy Seat or TB Tilt may increase the power chairs overall length by a minimum of 5".

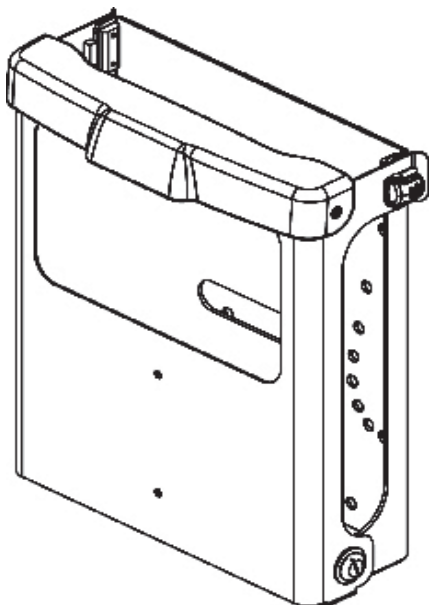
TRU-Comfort may increase the length by 6.5" (The bracket is pre-selected).

TB Recline or TB Tilt & Recline may increase the length by 5.5" (The bracket is pre-selected).

Can accommodate Pulmonetics LTV-style ventilators.

Max Dim. 3.25" H x 10.5" W x 13.5" / 20 lbs.

- If a Compact Vent Tray is selected, 1 of 3 mounting brackets must also be chosen when used in conjunction with a Synergy or TB Tilt seating system.
- 3" offset brackets or 6" offset brackets must be selected when used with an electronics box.
- N/A w/ an occupied transit kit.
- N/A w/ Shape Back or Sling Back.
- Must choose a back cane height of 20" or higher when a Synergy Seat is chosen.
- Must choose a back cane height of 22" or higher when a TRU-Balance Tilt or Lift & Tilt is chosen.
- Must choose a back cane height of 24" or higher when a TRU-Balance HD Tilt is chosen.
- N/A w/ rear mount accessories
- N/A on power positioning systems under 14" wide w/ flip-up armrests.
- N/A on Synergy manual recline, manual tilt, or flip-down back canes.
- N/A w/ TRU-Balance Pediatric Tilt
- Compact Vent is available in most configurations for 10"-24"W.

**ARTICULATING VENT TRAY**

- Articulating Vent Tray \$1,450
 Articulating Bi-PAP Vent Tray \$1,450

The addition of an articulating vent or Bi-PAP tray may increase the length & weight of your power chair.

U-1 (1) Battery Selection:

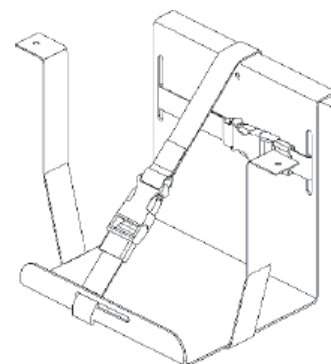
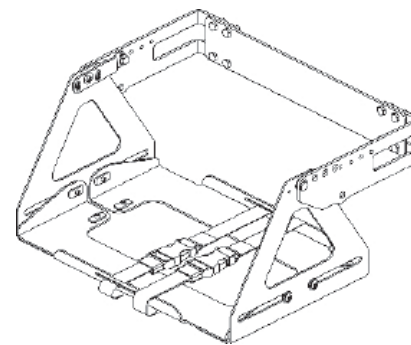
- Yes \$133ea
 No
- Battery Tray \$450
 Battery Box Yes \$50
 No

-Available on Synergy Seat, TRU-Balance Power-Tilt, Recline, Tilt & Recline, and TRU-Comfort Seating Systems

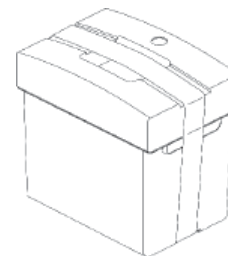
-Available seat widths: 10" W - 24" W

-Adjustment Range for : 14.5" W Std. x 10.5" D - 15.5" D

-Adjustment Range for Bi-PAP: 9.5" W Std. x - 9.5" D - 13.25" D

**ARTICULATING VENT TRAY CONT.**

- N/A w/ Specialty Seat
- N/A w/ contoured seating
- N/A w/ a power elevating seat
- N/A with TRU-Balance Pediatric Power Tilt
- N/A w/ TRU-Balance Lift & Tilt
- N/A w/ endomorph / mesomorph back canes
- N/A rear mount accessories
- N/A Compact vent tray
- N/A w/ an occupied Transit Kit
- N/A w/ stroller handles
- N/A w/ a sling back
- N/A w/ a full LED lighting package
- N/A w/ extended stem mounts

 **Quantum Custom Delivery Service**

Includes: liftgate service and delivery of your product(s) inside your facility
Contact your Quantum Representative for details.

The information contained herein is correct at the time of publication; we reserve the right to alter specifications and pricing without prior notice.

Q6400 Series

Order Form / Price List
Revised: September 2009

SPECIFIED DIMENSIONS

A. Seat Width

B. Lateral Offset

C. Hip/Thigh Lateral Offset

D. Center of Gravity **Optimized based on seat dimensions**

E. Seat Depth

F. Back Height from Pan

G. Lateral Height from Pan

H. Armrest Height from Pan

I. Rigging Length (whole numbers only)

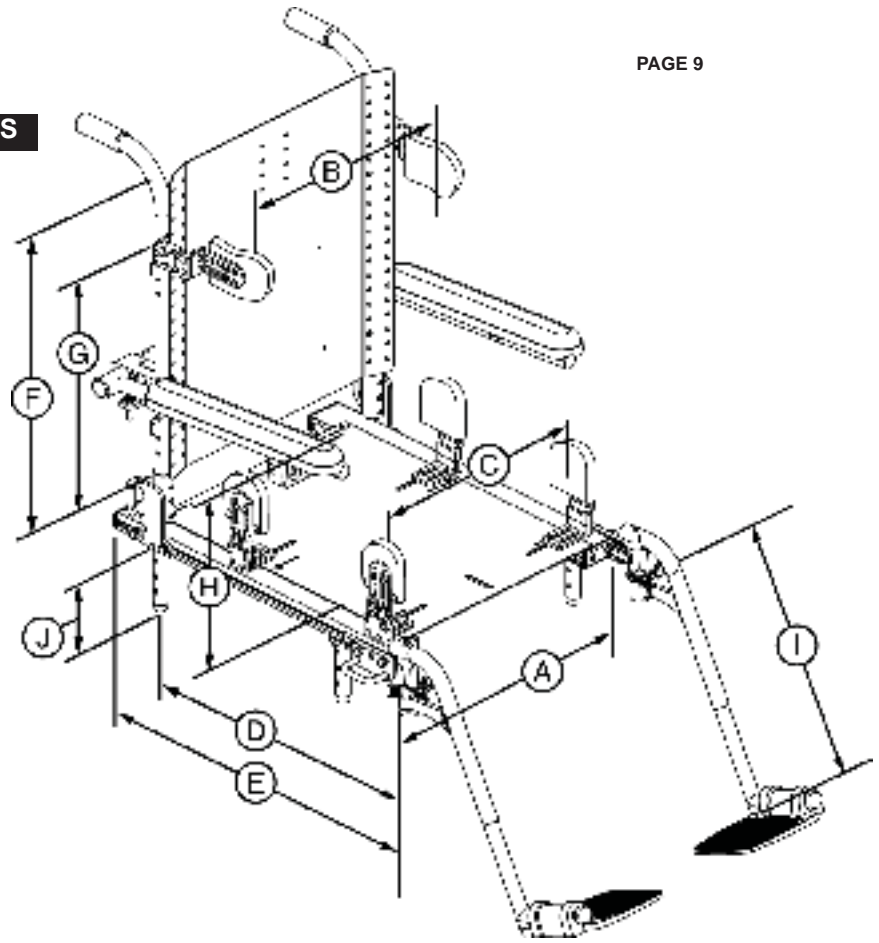
J. Seat to Floor

(LOWEST) (MIDDLE) (HIGHEST)

Client Height

Client Weight

Clinician Notes



Lowest seat-to-floor height	
Specialty Seat:	16.875"
Synergy Seat:	16.625"
TB 2 Tilt:	18.125"
(w/ Ang-Adj towers)	
TB 2 Tilt:	17.375"
(w/ fixed towers towers)	
TB 2 Recline:	16.625"
TB 2 Tilt/Recline:	18.125"
(w/ Ang-Adj towers)	
TB 2 Tilt/Recline:	17.375"
(w/ fixed towers towers)	
TB 2 Scissor Lift:	20"
(w/ fixed towers towers)	
High-back Seat:	21.5"

***While every effort will be taken to ensure that these items will be preset to your specifications prior to shipping, variations in options may effect final settings.**

All measurements +/- 1/8" with 18" x 18" seat, fixed towers (please see Tilt information above), 300 lbs. weight capacity and solid tires (add 3/8" with pneumatic tires).
Increased widths may increase seat-to-floor height. Contact customer service for details.
Listed measurements are in the lowest position. It does not include elevating systems.