

Quantum® 1420 Series

Group 3 Single Power & Multiple Power
 Order Form
 500 lbs. weight capacity
Weight Capacity May Be Limited By Configuration



Quantum Rehab®

A Division of Pride Mobility Products Corporation®
 182 Susquehanna Ave., Exeter, PA 18643
 Phone: (866)800-2002 • Fax: (866) 707-3422

Account Number: _____

Provider Name: _____

Contact: _____

Phone: _____

Fax: _____

Date: _____

PO#: _____

Marked For: _____

Ship To: _____

Address: _____

City: _____ State: _____ Zip: _____

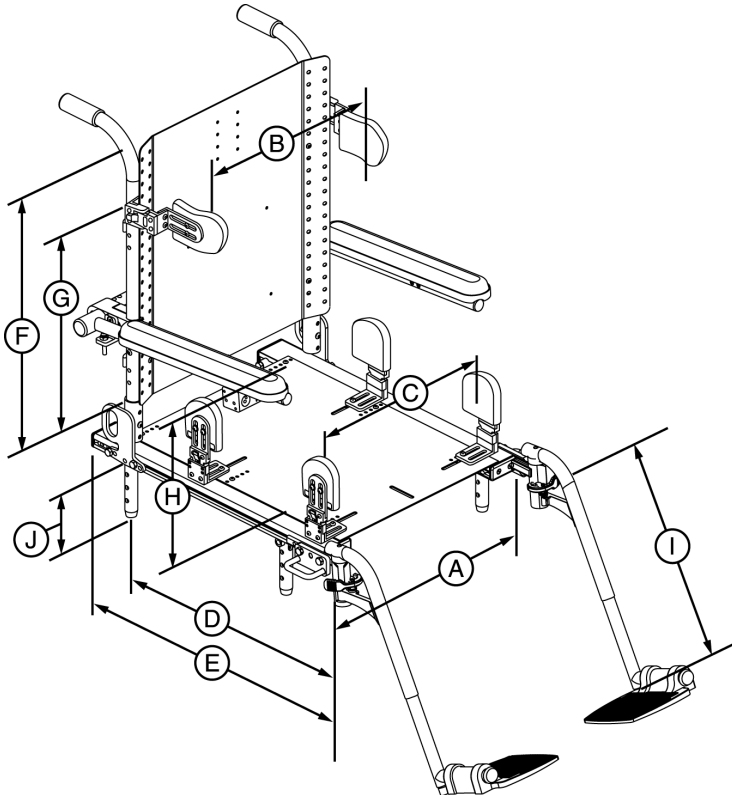
Discount: _____

Terms: _____

Freight: _____

Taken By: _____

SET-TO-SPEC*



Please Supply Client Information:

Client Height: _____

Client Weight: _____

A. Seat Width: _____

B. Lateral Offset: _____

C. Hip/Thigh Lateral Offset: _____

D. Center of Gravity: Optimized based on seat dimensions

E. Seat Depth: _____

F. Back Height from Pan: _____

G. Lateral Height from Pan: _____

H. Armrest Height from Pan: _____

I. Rigging Length (whole numbers only): _____

J. Seat to Floor Height (circle one): _____

Seating System	Seat-To-Floor		
	20.5"	21.375"	22.25"
TRU-Balance® Tilt (Fixed Towers)	20.5"	21.375"	22.25"
TRU-Balance® Tilt (Angle Adjustable)	20.25"	21.125"	22"
TRU-Balance® HD Tilt (Fixed Twrs)	20"	20.875"	21.75"
TRU-Balance® HD Tilt (Angle Adj.)	20.625"	21.5"	22.375"
TRU-Balance® Recline	18.125"	19.125"	20.125"
TRU-Balance® Lift	21"	21.875"	22.75"

Seat to floor height are +/- 1/8" with 18"W x 18"D with Flat-Freetires (add 3/8" for pneumatic tires). Increased widths may increase lowest seat to floor heights.

* While every effort will be taken to ensure dimensions will be preset to your specifications prior to shipping variations in options may effect final settings.

Notes:

DME providers are responsible for determining appropriate billing codes when submitting for insurance reimbursement. HCPCS codes should not be considered as legal advice. All prices are MSRP.

BASE MODEL		
Description	Price	HCPCS Code
<input type="checkbox"/> Quantum 1420 3SPHD-SS	\$9,113	K0858
<input type="checkbox"/> Quantum 1420 3SPVHD-SS	\$9,113	K0860
<input type="checkbox"/> Quantum 1420 3MPHD-SS	\$8,913	K0862
<input type="checkbox"/> Quantum 1420 3MPVHD-SS	\$8,913	K0863

COLORS	
<input type="checkbox"/> Candy Apple Red	<input type="checkbox"/> Viper Blue
<input type="checkbox"/> Black Onyx	<input type="checkbox"/> Champagne
<input type="checkbox"/> Sunburst Orange	



MOTOR OPTIONS	
Description	Price
<input type="checkbox"/> High Torque Motor Package	Standard
<input type="checkbox"/> High Speed Motor Package ¹	\$1,574
<i>Programmable Speed Up To 6 MPH, 450 lbs. Wt Capacity. HS Motors decrease per-charge range.</i>	
^{1.} Requires Q-Logic EX.	

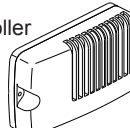
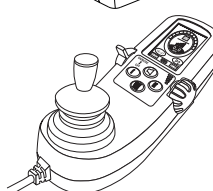
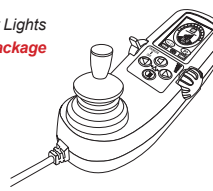
BATTERY CHARGER	
Description	Price
<input type="checkbox"/> 8 Amp Off-board Charger	Standard


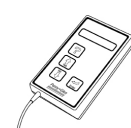
DRIVE WHEELS	
Description	Price
<input type="checkbox"/> 14" Flat-Free	Standard
<input type="checkbox"/> 14" Pneumatic	No Charge

CASTER WHEELS	
Description	Price
<input type="checkbox"/> 9" Pneumatic	No Charge
<input type="checkbox"/> 9" Flat-Free	\$105

BASE MOUNTED FOOT PLATFORM	
Description	Price
<input type="checkbox"/> Base Mounted Foot Platform	Standard
<input type="checkbox"/> Omit Base Mounted Foot Platform ¹	No Charge
^{1.} Custom Footplatform sizes are available through the Quantum Applications and Development Dept.	

NON-EXPANDABLE CONTROLS	
Description	Price
<input type="checkbox"/> VR2 70 Amp 4-Key 	Standard
<input type="checkbox"/> VR2 70 Amp 6-Key 	\$200 <i>Standard on 3SP-SS Package</i>

EXPANDABLE CONTROLS		
Description	Price	HCPCS Code
<i>Q-Logic EX Joysticks or Enhanced Display Must Be Ordered With Q-Logic EX Controller and Harness For Expandable Controller</i>		
<input type="checkbox"/> 100 Amp Q-Logic EX Controller 	\$695	E2377
<input type="checkbox"/> Harness For Expandable Controller	\$350	E2313
<input type="checkbox"/> Q-Logic EX Joystick 	\$700	
<input type="checkbox"/> Q-Logic EX Joystick For Lights <i>Required For LED Light Package</i> 	\$700	

PROGRAMMING	
Description	Price
<input type="checkbox"/> Q-Logic Handheld Programmer 	\$545
<input type="checkbox"/> Q-Logic Programming Cable w/ Disk ¹	\$750
<input type="checkbox"/> PG Handheld Programmer 	\$750
^{1.} Works with Q-Logic EX only	

JOYSTICK HANDLES		
Description	Price	HCPCS Code
<input type="checkbox"/> Standard Carrot Handle	Standard	
<input type="checkbox"/> Mushroom Handle	\$71	E2323
<input type="checkbox"/> T-Bar	\$107	E2323
<input type="checkbox"/> Chin Cup	\$71	E2324 ¹
<input type="checkbox"/> Extended I-Handle	\$71	E2323
<input type="checkbox"/> Soft Ball Handle	\$50	E2323
<input type="checkbox"/> Medium Ball Handle	\$50	E2323
<input type="checkbox"/> Bodypoint 3" Goal Post Handle	\$69	E2323
<input type="checkbox"/> Bodypoint 4" Goal Post Handle	\$69	E2323
^{1.} Use HCPCS code E2323 when not used in conjunction with a chin control.		

JOYSTICK MOUNTING BRACKETS		
Description	Price	HCPCS Code
<i>Comes Standard with a Quick Release, Adjustable-Height Joystick Block</i>		
<input type="checkbox"/> Fixed Inline ¹	Standard	
Side: <input type="checkbox"/> Left <input type="checkbox"/> Right		
<input type="checkbox"/> Swing-away	\$210	E1028
Side: <input type="checkbox"/> Left <input type="checkbox"/> Right		
Style: <input type="checkbox"/> Inline <input type="checkbox"/> Offset		
Length: <input type="checkbox"/> 4" Ext. <input type="checkbox"/> 7" Ext. ²		
<input type="checkbox"/> Multi-axis Fixed	\$100	K0108
Side: <input type="checkbox"/> Left <input type="checkbox"/> Right		
^{1.} Not available with Q-Logic EX Stand Alone Joystick		
^{2.} In iQuantum choose in addition to Swing-Away 4" mount.		

TRU-BALANCE® POWER POSITIONING

BACK OPTIONS (CONT'D)

Description	Price	HCPCS Code
<input type="checkbox"/> TRU-Balance® Power Tilt (55°) <i>55 degree center of gravity (CG) power tilt seating system. 300lbs weight capacity.</i>	\$4,995	E1002
<input type="checkbox"/> TRU-Balance® HD Power Tilt (55°) <i>55 degree center of gravity (CG) power tilt seating system. 400lbs weight capacity.</i>	\$4,995	E1002
<input type="checkbox"/> TRU-Balance® Power Recline (168°) <i>168 degrees of power recline with full drive lock-out set at 20 degrees. 300lbs weight capacity.</i>	\$5,595	E1004
<input type="checkbox"/> TRU-Balance® Power Tilt (55°) & Recline (168°) <i>55 degree center of gravity (CG) power tilt seating system with 168 degrees of power recline Full drive lock-out at 20 degrees. 300lbs weight capacity.</i>	\$9,595	E1007
<input type="checkbox"/> TRU-Balance® Lift (10") ¹ <i>Must be selected in conjunction with TB Power Tilt or TB Power Tilt & Recline Maximum seat size of 22"W x 20"D. 300lbs weight capacity.</i>	\$2,895	

1. 10" of scissor Lift, must select TB Tilt or TB Tilt & Recline in conjunction with lift, 1/4 Speed Inhibit, 300 lbs. max. wt., Allowable dimensions 16" x 16" - 22" x 20", Requires Q-Logic EX, Not available with Manual Recline or Power Recline Only.

SEATING SPECIFICATIONS

Tower Selection (N/A on Power Recline Only):

Angle Adjustable Fixed

Seat Width:

14" 15" 16" 17" 18" 19"
 20" 21" 22" 23" 24"

Seat Width Packages:

14"W-18"W 15"W-20"W 20"W-24"W

Seat Depth:

14" 15" 16" 17" 18" 19"
 20" 21" 22" 23" 24"

Seat Depth Package:

14"D-18"D 15"D-20"D 20"D-24"D

Back Cane Height:

14" 15" 16" 17" 18"
 19" 20" 21" 22" 23"
 24" 25"

BACK OPTIONS

Description	Price	HCPCS Code
Tilt Back:		
<input type="checkbox"/> Synergy® Shape Back <i>Positioning Back</i> <i>See Synergy Shape Back Order Form For Detailed Pricing, Sizes and Codes</i>	Various	E2613/E2614
<input type="checkbox"/> Omit Back	No Charge	
<input type="checkbox"/> Synergy® Back with 1.5" Thick Back Cushion	No Charge	
Overall Back <input type="checkbox"/> 18" H <input type="checkbox"/> 19" H <input type="checkbox"/> 20" H <input type="checkbox"/> 21" H		
Height: <input type="checkbox"/> 22" H <input type="checkbox"/> 23" H <input type="checkbox"/> 24" H <input type="checkbox"/> 25" H		
Choose Lateral Extensions:		
<input type="checkbox"/> 6" for 13"-16"H Back	\$25	
<input type="checkbox"/> 10" for 17"-18"H Back	\$25	
<input type="checkbox"/> 12" For 19"-22"H Back	\$25	
<input type="checkbox"/> 16" For 23"-25"H Back	\$25	

Description	Price	HCPCS Code
Tru Comfort Color Shroud Option:		
<input type="checkbox"/> Black (Standard color option)		
Metallic Colors:\$100		
<input type="checkbox"/> Champagne		<input type="checkbox"/> Silver
<input type="checkbox"/> Candy Apple Red		<input type="checkbox"/> Pewter Gray
<input type="checkbox"/> Viper Blue		<input type="checkbox"/> Emerald Green
<input type="checkbox"/> Sunburst Orange		<input type="checkbox"/> Graphite Blus
<input type="checkbox"/> Pearl Pink		<input type="checkbox"/> Sapphire Blue
Tilt Back Options:		
<input type="checkbox"/> Standard Back Canes	Standard	
<input type="checkbox"/> Omit Push Handles	\$125	
<input type="checkbox"/> Offset (Meso) ²	\$195	
<input type="checkbox"/> 2" (1" Per Side)		<input type="checkbox"/> 4" (2" Per Side)
<input type="checkbox"/> Inset (Endo) ²	\$195	
<input type="checkbox"/> 2" (1" Per Side)		<input type="checkbox"/> 4" (2" Per Side)
<input type="checkbox"/> Attendant Manual Recline ³	\$750	E1226

Power Recline Back:

<input type="checkbox"/> Synergy® Reclining Back with 1.5" Thick Back Cushion	Standard	
<input type="checkbox"/> TRU-Comfort™ Back <i>4-way Stretch Material Cover</i>		
Width: <input type="checkbox"/> 16"W <input type="checkbox"/> 17" W <input type="checkbox"/> 18"W	\$595/\$795	E2620
<input type="checkbox"/> 19"W <input type="checkbox"/> 20"W		
<input type="checkbox"/> 22"W	\$695/\$795	E2621
Overall Back		
Height ⁴ : <input type="checkbox"/> 20" H <input type="checkbox"/> 21" H <input type="checkbox"/> 22"H <input type="checkbox"/> 23"H		
<input type="checkbox"/> 24"H <input type="checkbox"/> 25"H <input type="checkbox"/> 27"H <input type="checkbox"/> 28"H		
<input type="checkbox"/> After-Market Back Interface ⁵	\$200	

Recline Back Options:

<input type="checkbox"/> Offset (Meso) ⁶	\$195
<input type="checkbox"/> 2" (1" Per Side)	<input type="checkbox"/> 4" (2" Per Side)
<input type="checkbox"/> Inset (Endo) ⁶	\$195
<input type="checkbox"/> 2" (1" Per Side)	<input type="checkbox"/> 4" (2" Per Side)

Recline Color Shroud Option:

<input type="checkbox"/> Black (Standard color option)	
Metallic Colors:N/C	
<input type="checkbox"/> Champagne	<input type="checkbox"/> Silver
<input type="checkbox"/> Candy Apple Red	<input type="checkbox"/> Pewter Gray
<input type="checkbox"/> Viper Blue	<input type="checkbox"/> Emerald Green
<input type="checkbox"/> Sunburst Orange	<input type="checkbox"/> Graphite Blus
<input type="checkbox"/> Pearl Pink	<input type="checkbox"/> Sapphire Blue

- Dual Post Flip-back Armrests interfere with offset canes. Not available with Manual Recline.
- Not available with Flip Back Arms, Cantilever Arms, Shape Back, Tru Comfort back, power elevating seat or 10" Lift. Requires 22"H canes. Pivot point 2.5" above seat pan.
- Overall Back height measurement is measured from the seat pan to the top of the back. All back heights except 25" and 28" are SOF with no extended lead time.
- Overall Seat depth may need to be adjusted to accommodate certain backs. Contact your Quantum Specialist for details. Does not include brackets to mount after market back.
- Requires Cantilever Arms. Back width can not be less than 14" or greater than 24".

ARMRESTS

Description	Price
Tilt Armrests:	
<input type="checkbox"/> Flip Back, Cane Mounted Armrests ¹	No Charge
<input type="checkbox"/> 2-Post, Flip-back, Height Adjustable, Removable ²	No Charge
<input type="checkbox"/> Single Post Height Adjustable Removable ³	No Charge
<input type="checkbox"/> Quad Release Lever	
<input type="checkbox"/> Removable, Single Post, Height Adjustable, Heavy Duty	No Charge
Height: <input type="checkbox"/> 8"H - 12"H <input type="checkbox"/> 10"H - 14"H	
<input type="checkbox"/> Pediatric, Removable ⁴	No Charge
Color: <input type="checkbox"/> Black <input type="checkbox"/> Match Shroud	
<input type="checkbox"/> Quad Release Lever	
<input type="checkbox"/> Height Adjustable Cantilever Armrests ⁵	\$195
<i>Angle Adjustable: -30° through +30°</i>	

- Interferes with Swing-Away laterals.
- Height adjustment from 9"-13" in 1" increments. Interferes with swing-away laterals. Not available with a depth less than 15".
- Height adjustable from 11" - 17" in 1/2" increments.
- Height adjustment from 7.75" - 9.75" in 1/2" increments. Not available with full length armpads.
- Height adjustment from 11"-17" depends on cane height. Not available with Manual Recline, Flip Forward Back Canes, Cane Clamp Pushbar, or Shape Back. Call for details when selecting after market arm troughs.

New Design!

<input type="checkbox"/> TRU-Comfort™ Back <i>4-way Stretch Material Cover</i>		
Width: <input type="checkbox"/> 16"W <input type="checkbox"/> 18" W <input type="checkbox"/> 20"W	\$595	E2620
Overall Back		
Height ¹ : <input type="checkbox"/> 20" H <input type="checkbox"/> 21" H <input type="checkbox"/> 22"H <input type="checkbox"/> 23"H		
<input type="checkbox"/> 24"H <input type="checkbox"/> 25"H <input type="checkbox"/> 27"H <input type="checkbox"/> 28"H		
Width: <input type="checkbox"/> 17"W <input type="checkbox"/> 19"W	\$595	E2620
Overall Back		
Height ¹ : <input type="checkbox"/> 22"H <input type="checkbox"/> 23"H <input type="checkbox"/> 24"H <input type="checkbox"/> 25"H		
<input type="checkbox"/> 27"H <input type="checkbox"/> 28"H		
Width: <input type="checkbox"/> 22"W <input type="checkbox"/> 24"W	\$695	E2621
Overall Back		
Height ¹ : <input type="checkbox"/> 24"H <input type="checkbox"/> 25"H <input type="checkbox"/> 27"H <input type="checkbox"/> 28"H		

1. Overall Back height measurement is measured from the seat pan to the top of the back, +/- 1/2".

ARMRESTS (CONT'D)

Description	Price
Power Recline Armrests:	
<input type="checkbox"/> Reclining, Flip Back	Standard
Height: <input type="checkbox"/> 8"H - 9"H <input type="checkbox"/> 10"H - 11"H	
<input type="checkbox"/> Height Adjustable Cantilever Armrests ¹	\$195
<i>Angle Adjustable: -30° through +30°</i>	
<small>1. Height adjustment from 11"-17" depends on cane height. Not available with Manual Recline, Flip Forward Back Canes, Cane Clamp Pushbar, or Shape Back. Call for details when selecting after market arm troughs.</small>	

ARMPADS

Description	Price
<input type="checkbox"/> Straight, Full Length (2"x14")	Standard
<input type="checkbox"/> Left <input type="checkbox"/> Right	
<input type="checkbox"/> Straight, Desk Length (2"x10")	No Charge
<input type="checkbox"/> Left <input type="checkbox"/> Right	
<input type="checkbox"/> Waterfall, Full Length (2"x14") ¹	No Charge
<input type="checkbox"/> Left <input type="checkbox"/> Right	
<input type="checkbox"/> Waterfall, Desk Length (2"x10") ¹	No Charge
<input type="checkbox"/> Left <input type="checkbox"/> Right	
<input type="checkbox"/> Falcon Gel, Full Length, (3.5"x14")*	\$160 pr.
<input type="checkbox"/> Left <input type="checkbox"/> Right	
<input type="checkbox"/> Full Length Gel Armpad	\$56.69 ea.
Mounting Plate (Required)*	
<input type="checkbox"/> Falcon Gel, Desk Length, (3.5"x10")*	\$125 pr.
<input type="checkbox"/> Left <input type="checkbox"/> Right	
<input type="checkbox"/> Desk Length Gel Armpad	\$53.52 ea.
Mounting Plate (Required)*	
<small>1. Not available w/ Cane Mounted, Flip Back Armrests combined with a Synergy Back.</small>	

POWER POSITIONING ELECTRONICS

Description	Price	HCPCS Code
Single Actuator Electronics:		
<input type="checkbox"/> Through Toggle Box (Tilt Only)	No Charge	
<input type="checkbox"/> Left Mount <input type="checkbox"/> Right Mount		
<input type="checkbox"/> Through Single Switch Module ¹ (Tilt Only)	\$500	
<input type="checkbox"/> Through VR2 6-Key (Tilt Only)	No Charge	
<input type="checkbox"/> Through Q-Logic EX Controller	\$1,175	E2310
Multiple Actuator Electronics:		
<input type="checkbox"/> Through Q-Logic EX Controller	\$2,375	E2311
<input type="checkbox"/> Q-Logic EX Through 4-Way Toggle	\$2,375	
<input type="checkbox"/> Left Mount <input type="checkbox"/> Right Mount		
<input type="checkbox"/> Q-Logic EX Through 4-Way Button Toggle	\$2,375	
<input type="checkbox"/> Left Mount <input type="checkbox"/> Right Mount		
<input type="checkbox"/> Q-Logic EX Through Quad Pushbutton	\$2,375	
<input type="checkbox"/> Left Mount <input type="checkbox"/> Right Mount		
<small>1. Single switch not included. See specialty controls order form for a list of available switches.</small>		

LED LIGHT PACKAGE

Description	Price
<input type="checkbox"/> Through Q-Logic EX w/ Lights	\$995

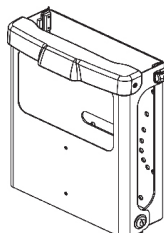
LAP BELTS

Description	Price
<input type="checkbox"/> 38" Lap Belt	Standard
<input type="checkbox"/> 50" Lap Belt	Standard
<input type="checkbox"/> 60" Lap Belt	Standard
<input type="checkbox"/> 70" Lap Belt	Standard
<input type="checkbox"/> 80" Lap Belt	Standard
<input type="checkbox"/> 90" Lap Belt	Standard
<input type="checkbox"/> Pelvic Positioning Belt, 2-Point Padded, Medium, 9"-15" Hip Width*	\$87
<input type="checkbox"/> Pelvic Positioning Belt, 2-Point Padded, Large, 13"-19" Hip Width*	\$92
<input type="checkbox"/> Pelvic Positioning Belt, 4-Point Padded, Medium, 9"-15" Hip Width*	\$112
<input type="checkbox"/> Pelvic Positioning Belt, 4-Point Padded, Large, 13-19" Hip Width*	\$116

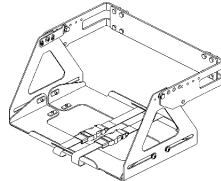
HEADRESTS

Description	Price	HCPCS Code
<input type="checkbox"/> No Headrest Required		
TRU-Comfort™ Headrest¹:		
<input type="checkbox"/> 8" W Leatherette	\$205	E0955
<input type="checkbox"/> 8"W TRU-Comfort Plus	\$205	E0955
<input type="checkbox"/> 10" W Leatherette	\$205	E0955
<input type="checkbox"/> 10" W TRU-Comfort Plus	\$205	E0955
<input type="checkbox"/> Removable Headrest Bracket	\$210	E1028
Stealth:		
<input type="checkbox"/> Small (9.75"W x 3"H) (STL-OTSM250)	\$205	E0955
<input type="checkbox"/> Large (11"W x 6"H) (STL-OTLG150)	\$205	E0955
<input type="checkbox"/> Pediatric Comfort Plus (6"W) (CPN350)	\$142	E0955
<input type="checkbox"/> Small Comfort Plus (10"W) (CP250)	\$142	E0955
<input type="checkbox"/> Large Comfort Plus (14"W) (CP150)	\$142	E0955
<input type="checkbox"/> Removable Headrest Bracket ² (HMO475P)	\$210	E1028
<input type="checkbox"/> Swing-away (Flip-down) Headrest Bracket ² (FDM350)	\$210	
<small>Used in Addition to Removable Headrest Bracket</small>		
Medical Applications:		
<input type="checkbox"/> Reclining Headrest (6.5"W x 7"H)	\$205	E0955
<input type="checkbox"/> Removable Bracket For Reclining Headrest	\$210	E1028
Aftermarket Bracket:		
<input type="checkbox"/> Stealth's World's Best Removable Headrest Hardware (TWB485)	\$210	E1028
<small>1. Measurement is taken from the inside of the headrest. 2. Not available with power recline.</small>		

COMPACT VENT TRAY

Description	Price
<input type="checkbox"/> Compact Vent Tray	\$1,395
<i>The addition of a compact vent tray may increase the length & weight of your power chair.</i>	
<small>Mounting Bracket:</small>	
<i>Bracket is pre-selected with TRU-Comfort Back</i>	
<input type="checkbox"/> Flush <input type="checkbox"/> 3" Offset ¹ <input type="checkbox"/> 6" Offset	
<ul style="list-style-type: none"> - Accommodates Pulmonetics LTV-style ventilators. - Max Vent Dim. 3.25" H x 10.5" W x 13.5" / 20 lbs. - Not Available with Shape Back or Sling Back. - Not available with rear mount accessories. - Not available on Synergy manual recline, Synergy manual tilt or with flip-down back canes. 	
	
<small>1. Not available with Cane Mounted Flip-up Arms.</small>	

ARTICULATING VENT TRAY

Description	Price	HCPCS Code
<input type="checkbox"/> Articulating Vent Tray ¹ - 14.5"W x 10.5-15.5"D	\$1,450	E1030
<input type="checkbox"/> Articulating Bi-PAP Vent Tray ¹ - 9.5"W x 9.5-13.5"D	\$1,450	E1030
<i>The addition of an articulating vent or Bi-PAP tray may increase the length & weight of your power chair.</i>		
		
Battery Tray Selection:		
<input type="checkbox"/> Battery Tray	\$450	K0108
<input type="checkbox"/> Include U1 Battery Box	\$50	K0108
<input type="checkbox"/> Include U1 Battery	\$133	E2365
<small>1. Not available with TRU Balance Lift, Manual Recline or with rear mounted accessories.</small>		

Items marked with a (*) should be chosen in the Positioning Components screen in iQuantum

LATERALS

Description	Price	HCPCS Code
<input type="checkbox"/> Stealth Thoracic Laterals (pair)*		
<i>Bracket:</i>		
<input type="checkbox"/> 125° Swing-Away Bracket	\$450	E1028
<i>For Use on TRU-Comfort Backs w/ Recline</i>		
<input type="checkbox"/> Swing-Away Rail Mounted	\$450	E1028
<i>For Use on Synergy Back and Tru-Comfort (Synergy and Tilt Only)</i>		
<i>Pad:</i>		
<input type="checkbox"/> Flat Pad, 3"x5", Leather-Like Cover	\$200	E0956
<input type="checkbox"/> Flat Pad, 4"x6", Leather-Like Cover	\$200	E0956
<input type="checkbox"/> Curved Pad, 2"x3", 4-Way Stretch Cover	\$200	E0956
<input type="checkbox"/> Curved Pad, 3"x5", 4-Way Stretch Cover	\$200	E0956
<input type="checkbox"/> Curved Pad, 4"x6", 4-Way Stretch Cover	\$200	E0956
<input type="checkbox"/> Stealth Pelvic/Thigh Laterals*		
<i>Side:</i>		
<input type="checkbox"/> Left Side		<input type="checkbox"/> Right Side
<i>Bracket:</i>		
<input type="checkbox"/> Removable Bracket (ea.)	\$250	E1028
<input type="checkbox"/> Removable Bracket w/ 1" Offset (ea.)	\$325	E1028
<input type="checkbox"/> Flip Down Bracket (ea.)	\$225	E1028
<i>Pad:</i>		
<input type="checkbox"/> Short Pad, 4"x4" (ea.)	\$90	E0956
<input type="checkbox"/> Medium Pad, 4"x8" (ea.)	\$90	E0956
<input type="checkbox"/> Long Pad, 4"x12" (ea.)	\$90	E0956
<i>Adapter:</i>		
<input type="checkbox"/> 2" Depth/Height Adapter Plate (ea.) ²	\$25	K0108

1. Swing-away Laterals interfere with flip-up armrests.
2. Height adapter plate is needed w/ Tru Comfort seat cushion. Not available on the flip down bracket.

NON-POWER LEGRESTS

Description	Price	HCPCS Code
<input type="checkbox"/> 70° Swing-away Legrests¹	Standard	
<input type="checkbox"/> Straight		<input type="checkbox"/> Tapered
<input type="checkbox"/> 70°		<input type="checkbox"/> 80° (Straight Only)
<input type="checkbox"/> Standard Extruded Footplates	No Charge	
<i>Standard Extruded Extensions:</i>		
<input type="checkbox"/> 11"-13"	<input type="checkbox"/> 13"-16.5"	<input type="checkbox"/> 15.5"-19.5"
<input type="checkbox"/> 18.5"-22.5"		
<i>Standard Extruded Footplates:</i>		
<input type="checkbox"/> 7.25" x 6"	<input type="checkbox"/> 8.5" x 6"	
<input type="checkbox"/> Angle-Adjustable Footplates ²	\$150	K0040
<i>Angle Adjustable Extensions:</i>		
<input type="checkbox"/> 11"-13"	<input type="checkbox"/> 13"-16.5"	<input type="checkbox"/> 15.5"-19.5"
<input type="checkbox"/> 18.5"-22.5"		
<i>Angle-Adjustable Footplates:</i>		
<input type="checkbox"/> 4" x 6"	<input type="checkbox"/> 5" x 6"	<input type="checkbox"/> 5" x 8"
<input type="checkbox"/> 6" x 8" ³	<input type="checkbox"/> 6" x 11" ³	<input type="checkbox"/> 8" x 11" ⁴
<input type="checkbox"/> Multi-Axis Footplates ²	\$495	K0040
<i>Multi-Axis Extensions:</i>		
<input type="checkbox"/> 11"-16.5"	<input type="checkbox"/> 15.5"-19.5"	<input type="checkbox"/> 18.5"-22.5"
<i>Multi-Axis Footplates:</i>		
<input type="checkbox"/> 4" x 6"	<input type="checkbox"/> 5" x 6"	<input type="checkbox"/> 5" x 8"
<input type="checkbox"/> 6" x 8" ³	<input type="checkbox"/> 6" x 11" ³	<input type="checkbox"/> 8" x 11" ⁴
<input type="checkbox"/> Elevating Legrests¹	\$325	E0990
<input type="checkbox"/> Standard Footplates		
<i>Standard Extruded Extension Length:</i>		
<input type="checkbox"/> 11"-14"	<input type="checkbox"/> 14"-17"	
<i>Standard Extruded Footplate Size:</i>		
<input type="checkbox"/> 7.25" x 6"	<input type="checkbox"/> 8.5" x 6"	
<input type="checkbox"/> Angle Adjustable Footplates ²	\$150	K0040
<i>Angle Adjustable Extension Length:</i>		
<input type="checkbox"/> 12"-14.5"	<input type="checkbox"/> 14.5" -18"	
<i>Angle Adjustable Footplate Size:</i>		
<input type="checkbox"/> 4" x 6"	<input type="checkbox"/> 5" x 6"	<input type="checkbox"/> 5" x 8"
<input type="checkbox"/> 6" x 8" ³	<input type="checkbox"/> 6" x 11" ³	<input type="checkbox"/> 8" x 11" ⁴
<input type="checkbox"/> High Mount, Clamp-On Footrest*		
<input type="checkbox"/> Angle Adjustable		
<input type="checkbox"/> Small, 4" x 7.75"	\$356	K0040
<input type="checkbox"/> Large, 4.25" x 9.25"	\$356	
<input type="checkbox"/> Multi-Axis		
<input type="checkbox"/> Small, 4" x 7.75"	\$456	K0040
<input type="checkbox"/> Large, 4.25" x 9.25"	\$460	

1. Legrest Extensions are measured from seatpan to footplate.
2. Includes Heel Loops
3. Causes interference on seat widths less than 18".
4. Causes interference on seat widths less than 20".

NON-POWERED LEGRESTS (CONT'D)

Description	Price	HCPCS Code
<input type="checkbox"/> Heavy Duty Drop-In Legrests⁵	\$420	
<input type="checkbox"/> 70°		<input type="checkbox"/> 80°
<input type="checkbox"/> Angle Adjustable Footplates ⁶	\$150	K0040
<i>Angle Adjustable Extension Length:</i>		
<input type="checkbox"/> 12"-14.5"	<input type="checkbox"/> 14.5" -18"	
<i>Angle Adjustable Footplate Size:</i>		
<input type="checkbox"/> 4" x 6"	<input type="checkbox"/> 5" x 6"	<input type="checkbox"/> 5" x 8"
<input type="checkbox"/> 6" x 8" ⁷	<input type="checkbox"/> 6" x 11" ⁷	<input type="checkbox"/> 8" x 11" ⁸
5. Legrest Extensions are measured from seatpan to footplate. 6. Includes Heel Loops 7. Causes interference on seat widths less than 18". 8. Causes interference on seat widths less than 20".		

POWERED LEGRESTS

Description	Price	HCPCS Code
<input type="checkbox"/> 70° Articulating Swing-Away Legrests, 4" Articulation Range	\$2,395	E1010
<input type="checkbox"/> Quad Release Lever		
<i>Calf Pads¹:</i>		
<input type="checkbox"/> 6" x 5.35"	<input type="checkbox"/> 8" x 5.86"	
<i>Angle Adjustable Extension Length²:</i>		
<input type="checkbox"/> 11"-13"	<input type="checkbox"/> 14.5"-18"	<input type="checkbox"/> 17.5"-21"
<i>Angle Adjustable Footplate Size:</i>		
<input type="checkbox"/> 4" x 6"	<input type="checkbox"/> 5" x 6"	<input type="checkbox"/> 5" x 8"
<input type="checkbox"/> 6" x 8" ³	<input type="checkbox"/> 6" x 11" ³	<input type="checkbox"/> 8" x 11" ⁴
<i>Operational Method:</i>		
<input type="checkbox"/> Independent	<input type="checkbox"/> Combined	
<input type="checkbox"/> 70° Articulating Drop-In Legrests	\$2,395	E1010
<i>Range:</i>		
<input type="checkbox"/> 4" Range	<input type="checkbox"/> 6" Range	
<i>Angle:</i>		
<input type="checkbox"/> 70°	<input type="checkbox"/> 80°	
<i>Calf Pads¹:</i>		
<input type="checkbox"/> 6" x 5.35"	<input type="checkbox"/> 8" x 5.86"	
<i>Angle Adjustable Extension Length²:</i>		
<input type="checkbox"/> 12"-14.5"	<input type="checkbox"/> 14.5"-18"	<input type="checkbox"/> 17.5"-21"
<i>Angle Adjustable Footplate Size:</i>		
<input type="checkbox"/> 4" x 6"	<input type="checkbox"/> 5" x 6"	<input type="checkbox"/> 5" x 8"
<input type="checkbox"/> 6" x 8" ³	<input type="checkbox"/> 6" x 11" ³	<input type="checkbox"/> 8" x 11" ⁴
<i>Operational Method:</i>		
<input type="checkbox"/> Independent	<input type="checkbox"/> Combined	

1. Choose in Rigging Accessory Section in iQuantum.
2. Extensions are measured from top of seat pan to footplate.
3. Only available with seat width 18" or greater.
4. Only available with seat width 20" or greater.

HIGH MOUNT FOOT PLATFORM

Description	Price	HCPCS Code
<input type="checkbox"/> Highmount Foot Platform¹	\$450	K0108
<i>Extensions:</i>		
<input type="checkbox"/> 10"-14" Ext.	<input type="checkbox"/> 14"-17" Ext.	<input type="checkbox"/> 17"-20" Ext.
<i>Foot Platform Size²:</i>		
<input type="checkbox"/> 9.55"D	<input type="checkbox"/> 11.62"D	

1. Extensions are measured from top of seat pan to footplate.
2. Custom Footplatform sizes are available through the Quantum Applications and Development Dept.

FRONT RIGGING ACCESSORIES

Description	Price	HCPCS Code
<input type="checkbox"/> Wheel Bumpers	\$25	
<input type="checkbox"/> Heel Loops (pair) ¹	\$38	E0951
<input type="checkbox"/> Gel Neoprene Footrest Sleeve (pair) ²	\$65	K0108
<input type="checkbox"/> ELR/ALR Adductor Buttons (pair)	\$125	K0108
<input type="checkbox"/> POSAlinc Knee Adductor for Swing-Away Legrests (pair)*	\$256	K0108
<input type="checkbox"/> POSAlinc Rail Mounted Knee Adductor (pair)*	\$287	K0108
<input type="checkbox"/> Residual Limb Support	\$300	E1020
<input type="checkbox"/> Left	<input type="checkbox"/> Right	
<input type="checkbox"/> Bodypoint Ankle Huggers (pair)*	\$134	K0108
<input type="checkbox"/> Small	<input type="checkbox"/> Medium	

1. Standard with angle adjustable footplates.
2. Available only with swing-away legrests.

Items marked with a (*) should be chosen in the Positioning Components screen in iQuantum

SYNERGY® CUSHIONS

MISCELLANEOUS POSITIONING COMPONENTS

Description	Price	HCPCS Code
<input type="checkbox"/> No Cushion Required <i>Please refer to Synergy order forms for detailed pricing, sizes and codes.</i>		
Simplicity Cushion <i>General Use</i>		
<input type="checkbox"/> 16" x 16" - 20" x 20"	\$98	E2601
<input type="checkbox"/> 22" x 16" - 24" x 24"	\$98	E2602
Solution® 1 Cushion <i>Skin Protection:</i>		
<input type="checkbox"/> 14" x 14" - 20" x 18"	\$380	E2603
<input type="checkbox"/> 20" x 20" - 20" x 24"	\$430	E2603
<input type="checkbox"/> 22" x 16" - 24" x 24"	\$430	E2604
Solution® Cushion <i>Skin Protection & Positioning</i>		
<input type="checkbox"/> 10" x 10" - 20" x 18"	\$380	E2607
<input type="checkbox"/> 20" x 20" - 20" x 24"	\$430	E2607
<input type="checkbox"/> 22" x 16" - 24" x 24"	\$430	E2608
Spectrum® Gel Cushion <i>Positioning</i>		
<input type="checkbox"/> 12" x 10" - 20" x 19"	\$480	E2605
<input type="checkbox"/> 20" x 20" - 20" x 24"	\$530	E2605
<input type="checkbox"/> 22" x 16" - 24" x 24"	\$530	E2606
Spectrum® Visco Cushion <i>Skin Protection & Positioning</i>		
<input type="checkbox"/> 10" x 10" - 20" x 18"	\$480	E2607
<input type="checkbox"/> 20" x 20" - 20" x 24"	\$530	E2607
<input type="checkbox"/> 22" x 16" - 24" x 24"	\$530	E2608
Spectrum® Air <i>Adjustable Skin Protection</i>		
<input type="checkbox"/> 14" x 12" - 20" x 20"	\$480	E2622
<input type="checkbox"/> 22" x 16" - 24" x 24"	\$530	E2623
Spectrum® Air Contour <i>Adjustable Skin Protection & Positioning</i>		
<input type="checkbox"/> 14" x 12" - 20" x 20"	\$499	E2624
<input type="checkbox"/> 22" x 16" - 24" x 24"	\$549	E2625
TRU-Comfort™ Seat Cushion <i>General Use</i> <i>Includes Allure leather-like cover</i>		
<input type="checkbox"/> 16" x 16" - 20" x 20"	\$380	E2601
<input type="checkbox"/> 22" x 16" - 22" x 24"	\$480	E2602
TRU-Comfort™ Plus Seat Cushion <i>Skin Protection</i> <i>Includes 4-way stretch material cover</i>		
<input type="checkbox"/> 16" x 16" - 20" x 20"	\$380	E2603
<input type="checkbox"/> 22" x 16" - 22" x 24"	\$480	E2604

ACCESSORIES

Description	Price	HCPCS Code
<input type="checkbox"/> Quantum Backpack ¹	\$60	
<input type="checkbox"/> Oxygen Holder ²	\$150	E2208
<input type="checkbox"/> Recline Accessory Mounting Bracket ³	\$50	
<input type="checkbox"/> Weather Cover, Medium, Black	\$158	
<input type="checkbox"/> Cup Holder	No Charge	
<input type="checkbox"/> Left <input type="checkbox"/> Right		
<input type="checkbox"/> Tablet Holder	\$315	
<input type="checkbox"/> Deluxe Cell Phone/Media Holder	\$140	
<input type="checkbox"/> Cell Phone/Media Holder	No Charge	

1. Backpack may interfere w/ other rear accessories.

2. Oxygen holder on Tilt with Tru Comfort back requires SOF. N/A on Power Recline.

3. 1" adaptor tube allows cane mounted accessories to mount to power recline back or siderail.

BATTERY OPTIONS

Description	Price	HCPCS Code
<input type="checkbox"/> Group 24, 70 Amp, Gel (<i>Universal</i>)	\$352 ea.	E2363
<input type="checkbox"/> Group 24, 70 Amp, Gel (<i>MK</i>)	\$352 ea.	E2363
<input type="checkbox"/> NF-22, 50-Amp Batteries		
<input type="checkbox"/> Maintenance Free AGM	\$255 ea.	E2361
<input type="checkbox"/> Maintenance Free Gel Cell (<i>Universal</i>)	\$295 ea.	E2361
<input type="checkbox"/> Maintenance Free Gel Cell (<i>MK</i>)	\$295 ea.	E2361
<i>Installation:</i>		
<input type="checkbox"/> Batteries Installed <input type="checkbox"/> Do Not Install		

Description	Price	HCPCS Code
<input type="checkbox"/> Therafin Flip-down Knee Abductor Bracket* <i>Pad:</i>	\$172	E1028
<input type="checkbox"/> Small <input type="checkbox"/> Medium <input type="checkbox"/> Large	\$135	E0957
<input type="checkbox"/> Stealth Foot Boxes (pair)*	\$475	K0108
<input type="checkbox"/> Small <input type="checkbox"/> Medium <input type="checkbox"/> Large		
<input type="checkbox"/> Stealth Padded Shoe Holders (pair)*	\$166	K0108
<input type="checkbox"/> Small <input type="checkbox"/> Medium <input type="checkbox"/> X-Large		
<input type="checkbox"/> Otto Bock Arm Channels (ea.)* <i>Side:</i>	\$104	E2209
<input type="checkbox"/> Left <input type="checkbox"/> Right		
<i>Size:</i>		
<input type="checkbox"/> Small <input type="checkbox"/> Medium <input type="checkbox"/> Large		
<input type="checkbox"/> Otto Bock Flat Hand Pad(ea.)* <i>Side:</i>	\$52	
<input type="checkbox"/> Left <input type="checkbox"/> Right		
<i>Size:</i>		
<input type="checkbox"/> Medium <input type="checkbox"/> Large		

Please see positioning components order form for additional types, sizes and details.

Items marked with a (*) should be chosen in the Positioning Components screen in iQuantum