

Jazzy 1450

Group 2 Very Heavy Duty
Order Form/ODJFS Only
(600lb wt capacity)



Pride Mobility Products Corporation
182 Susquehanna Ave., Exeter, PA 18643
Phone: (866) 800-2002 • Fax: (866) 707-3422

Discount: _____
Terms: _____
Freight: _____
Taken By: _____



Account Number: _____
Provider Name: _____
Contact: _____
Phone: _____ Fax: _____
E-Mail: _____
Date: _____
PO#: _____
Marked For: _____
Ship To Address: _____
City: _____ State: _____ Zip: _____

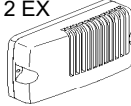



DME providers are responsible for determining appropriate billing codes when submitting for insurance reimbursement. HCPCS codes should not be considered as legal advice. All prices are MSRP.

BASE MODEL EXPANDABLE CONTROLS

Description	Price	HCPCS Code
<input type="checkbox"/> Jazzy 1450 2VHD-SS	\$9,850	K0826/K0014
<input type="checkbox"/> Jazzy 1450 2VHD-C	\$9,850	K0827/K0014

EXPANDABLE CONTROLS

Q-Logic 2 EX Joystick or Enhanced Display must be ordered with a Q-Logic 2 EX Controller and Harness For Expandable Controls

- 100 Amp Q-Logic 2 EX Controller  \$695
- Expandable Controller Harness  \$425
- Q-Logic 2 EX Joystick  \$700
- Stand Alone Joystick w/ External Charger Port  \$700

COLORS

Metallic Colors:

- Candy Apple Red
- Viper Blue

DRIVE WHEELS

Description	Price
<input type="checkbox"/> 14" Flat Free	Standard

BASE MOUNTED FOOT PLATFORM

Description	Price
<input type="checkbox"/> Heavy Duty, Base Mounted Foot Platform	
<input type="checkbox"/> 17"W x 13"D	Standard
<input type="checkbox"/> 17"W x 16"D	No Charge
<input type="checkbox"/> No Foot Platform	No Charge


Armor Color Options:

- Black Soft Touch *(Standard color option)*
 - Matching
 - Non-Matching
- Colors: \$50**
- Candy Apple Red
 - Viper Blue

BATTERY CHARGER

Description	Price
<input type="checkbox"/> 8 Amp Off-board Charger	Standard

NON-EXPANDABLE CONTROLS

Description	Price
<input type="checkbox"/> 90 Amp VR2 6-Key 	Standard

JOYSTICK HANDLES


Description	Price	HCPCS Code
<input type="checkbox"/> Standard Carrot Handle	Standard	
<input type="checkbox"/> Mushroom Handle	\$71	E2323
<input type="checkbox"/> T-Bar	\$107	E2323
<input type="checkbox"/> Chin Cup	\$71	E2324 ¹
<input type="checkbox"/> Extended I-Handle	\$71	E2323
<input type="checkbox"/> Soft Ball Handle	\$50	E2323
<input type="checkbox"/> Medium Ball Handle	\$50	E2323
<input type="checkbox"/> Bodypoint 3" Goal Post Handle	\$69	E2323
<input type="checkbox"/> Bodypoint 4" Goal Post Handle	\$69	E2323

¹. Use HCPCS Code E2323 when not used in conjunction with a chin control.

JOYSTICK MOUNTING BRACKETS **CONTOURED SEATING (CONT'D)**

Description	Price	HCPSC Code
<i>Comes Standard with a Quick Release, Adjustable-Height Joystick Block</i>		
<input type="checkbox"/> Fixed, Inline	Standard	
<input type="checkbox"/> Left		
<input type="checkbox"/> Right		
<input type="checkbox"/> Swing-Away	\$245	E1028
SAMTIL7 <input type="checkbox"/> Inline, Left		
SAMTIR7 <input type="checkbox"/> Inline, Right		
SAMTOL7 <input type="checkbox"/> Offset, Left		
SAMTOR7 <input type="checkbox"/> Offset, Right		
<input type="checkbox"/> Retract4 Swing-Away Joystick Arm Kit	\$250	E1028
<input type="checkbox"/> Left		
<input type="checkbox"/> Right		
<input type="checkbox"/> Multi-Axis	\$100	E1028
<input type="checkbox"/> Left		
<input type="checkbox"/> Right		
<input type="checkbox"/> No Joystick Mount		

PROGRAMMING

Description	Price
<input type="checkbox"/> Q-Logic EX/NE Programmer	\$545
	
<input type="checkbox"/> Q-Logic PC Programming Disk w/ Cable ¹	\$750

1. Works with Q-Logic 2 EX only.

CONTOURED SEATING

Description	Price
Depth-Adjustable High Back: ¹	
<input type="checkbox"/> Black Vinyl, Depth-Adjustable High Back, Limited Recline	No Charge
<input type="checkbox"/> 20"W x 18-20"D ²	
<input type="checkbox"/> 22"W x 20-22"D	
Limited Recline High Back:	
<input type="checkbox"/> Black Vinyl, High Back with Limited Recline	No Charge
<input type="checkbox"/> 20"W x 22"D	
Limited Recline High Back w/ Solid Seat Pan:	
<input type="checkbox"/> Black Vinyl, High Back with Solid Seat pan, Limited Recline	No Charge
<input type="checkbox"/> 20"W x 20"D	
<input type="checkbox"/> 20"W x 22"D	

1. Seat comes automatically with a 60" belt and full length armrests. Any other selection would need to be added as an additional part
 2. Max weight capacity is 450 when seat is set at 18"D.

CONTOURED SEATING (CONT'D)

Description	Price
Pinchless Hinge High Back:	
<input type="checkbox"/> Black Vinyl, High Back w/ Headrest, Pinchless Hinges	No Charge
<input type="checkbox"/> 20"W x 24"D	<input type="checkbox"/> 22"W x 26"D
<input type="checkbox"/> 20"W x 26"D	<input type="checkbox"/> 24"W x 20"D
<input type="checkbox"/> 22"W x 20"D	<input type="checkbox"/> 24"W x 22"D
<input type="checkbox"/> 22"W x 22"D	<input type="checkbox"/> 24"W x 24"D
<input type="checkbox"/> 22"W x 24"D	<input type="checkbox"/> 24"W x 26"D
Pinchless Hinge High Back with Solid Seat Pan:	
<input type="checkbox"/> Black Vinyl, High Back w/ Headrest and Solid Seat Pan, Pinchless Hinges	No Charge
<input type="checkbox"/> 20"W x 24"D	<input type="checkbox"/> 22"W x 26"D
<input type="checkbox"/> 20"W x 26"D	<input type="checkbox"/> 24"W x 20"D
<input type="checkbox"/> 22"W x 20"D	<input type="checkbox"/> 24"W x 22"D
<input type="checkbox"/> 22"W x 22"D	<input type="checkbox"/> 24"W x 24"D
<input type="checkbox"/> 22"W x 24"D	<input type="checkbox"/> 24"W x 26"D
Heavy Duty High Back: ³	
<input type="checkbox"/> Black Vinyl, Heavy Duty High Back w/ Headrest, Static Hinges	\$450
<input type="checkbox"/> 26"W x 20"D	<input type="checkbox"/> 30"W x 20"D
<input type="checkbox"/> 26"W x 22"D	<input type="checkbox"/> 30"W x 22"D
<input type="checkbox"/> 26"W x 24"D	<input type="checkbox"/> 30"W x 24"D
<input type="checkbox"/> 26"W x 26"D	<input type="checkbox"/> 30"W x 26"D
<input type="checkbox"/> 26"W x 28"D	<input type="checkbox"/> 30"W x 28"D
<input type="checkbox"/> 28"W x 20"D	<input type="checkbox"/> 32"W x 20"D
<input type="checkbox"/> 28"W x 22"D	<input type="checkbox"/> 32"W x 22"D
<input type="checkbox"/> 28"W x 24"D	<input type="checkbox"/> 32"W x 24"D
<input type="checkbox"/> 28"W x 26"D	<input type="checkbox"/> 32"W x 26"D
<input type="checkbox"/> 28"W x 28"D	<input type="checkbox"/> 32"W x 28"D
Heavy Duty High Back with Solid Seat Pan: ³	
<input type="checkbox"/> Black Vinyl, Heavy Duty High Back w/ Headrest and Solid Seat Pan, Static Hinges	\$1,000
<input type="checkbox"/> 26"W x 20"D	<input type="checkbox"/> 30"W x 20"D
<input type="checkbox"/> 26"W x 22"D	<input type="checkbox"/> 30"W x 22"D
<input type="checkbox"/> 26"W x 24"D	<input type="checkbox"/> 30"W x 24"D
<input type="checkbox"/> 26"W x 26"D	<input type="checkbox"/> 30"W x 26"D
<input type="checkbox"/> 26"W x 28"D	<input type="checkbox"/> 30"W x 28"D
<input type="checkbox"/> 28"W x 20"D	<input type="checkbox"/> 32"W x 20"D
<input type="checkbox"/> 28"W x 22"D	<input type="checkbox"/> 32"W x 22"D
<input type="checkbox"/> 28"W x 24"D	<input type="checkbox"/> 32"W x 24"D
<input type="checkbox"/> 28"W x 26"D	<input type="checkbox"/> 32"W x 26"D
<input type="checkbox"/> 28"W x 28"D	<input type="checkbox"/> 32"W x 28"D

Special Order Seat

_____ "W x _____ "D

Seat size can not exceed 32"W x 28"D

Contact your inside sales specialist for pricing

3. Seat includes a lumbar cutout, static hinges and an HD Synergy seat frame.

CONTOURED SEATING ARMRESTS

BACK CANE OPTIONS

Description	Price	HCPCS Code
Armrest Type:		
<input type="checkbox"/> Flip up, Height-Adjustable, Removable ¹	\$85 ea.	E0973
<input type="checkbox"/> Removable, Single Post, Height Adjustable, Heavy Duty ²	\$85 ea.	E0973
<input type="checkbox"/> 8"-12"H <input type="checkbox"/> 10"-14"H		
<input type="checkbox"/> Single Post, Height Adjustable, Removable ³	\$85 ea.	E0973
<input type="checkbox"/> Quad Release Lever		
Armpads:		
<i>Left:</i>		<i>Right:</i>
<input type="checkbox"/> Full Length		<input type="checkbox"/> Full Length
<input type="checkbox"/> Desk Length ⁴		<input type="checkbox"/> Desk Length ⁴
<i>Style:</i>		
<input type="checkbox"/> Straight		<input type="checkbox"/> Straight
<input type="checkbox"/> Waterfall		<input type="checkbox"/> Waterfall
<input type="checkbox"/> Black, Molded, Bariatric Armpads ²	\$100 ea.	

Description	Price
Back Cane Height¹:	
<input type="checkbox"/> 14"H <input type="checkbox"/> 15"H <input type="checkbox"/> 16"H <input type="checkbox"/> 17"H <input type="checkbox"/> 18"H	
<input type="checkbox"/> 19"H <input type="checkbox"/> 20"H <input type="checkbox"/> 21"H <input type="checkbox"/> 22"H <input type="checkbox"/> 23"H	
<input type="checkbox"/> 24"H <input type="checkbox"/> 25"H	
Cane Type¹:	
<input type="checkbox"/> Standard Back Canes	Standard
<input type="checkbox"/> Omit Push Handles	\$125
Cane Brackets:	
<input type="checkbox"/> Offset (Meso)	\$195
<input type="checkbox"/> 2" (1" per side) <input type="checkbox"/> 4" (2" per side)	
<input type="checkbox"/> Inset (Endo)	\$195
<input type="checkbox"/> 2" (1" per side) <input type="checkbox"/> 4" (2" per side)	

1. No selection required with Tru Comfort™ Back.

1. Only available w/ high back seating, widths 20-24".
2. Bariatric armrests are full length and require bariatric armpads. Only available on HD High Back seating.
3. Height adjustable from 11" - 17" in 1/2" increments. Only available on HD High Back seating.
4. Not available w/ Bariatric, Height Adjustable, Removable Armrests..

SYNERGY® SEATING SYSTEM

Description	Price
<input type="checkbox"/> Heavy-Duty Synergy® Seating System	\$800

BACK OPTIONS

Description	Price	HCPCS Code
<input type="checkbox"/> Omit Back	No Charge	
Sling Backs:		
<input type="checkbox"/> Sling Back ¹ (23"W or less)	\$98	
<input type="checkbox"/> HD Sling Back (24"W or greater)	\$150	
Overall Height ² :	<input type="checkbox"/> 18"H <input type="checkbox"/> 19"H <input type="checkbox"/> 20"H <input type="checkbox"/> 21"H <input type="checkbox"/> 22"H	
	<input type="checkbox"/> 23"H <input type="checkbox"/> 24"H <input type="checkbox"/> 25"H	
Synergy® Back:		
<input type="checkbox"/> Synergy® Back with 1.5" Thick Back Cushion	\$275/\$315 ³	
Overall Height ¹ :	<input type="checkbox"/> 17"H ⁴ <input type="checkbox"/> 18"H ² <input type="checkbox"/> 19"H <input type="checkbox"/> 20"H <input type="checkbox"/> 21"H	
	<input type="checkbox"/> 22"H <input type="checkbox"/> 23"H <input type="checkbox"/> 24"H <input type="checkbox"/> 25"H	

Choose Lateral Extension⁵:

- 10" for 17-18"H Back \$25
- 12" for 19-22"H Back \$25
- 16" for 23-25"H Back \$25

1. Overall back height will be the same height as the back canes. N/A w/ cantilever armrests.
2. Overall Back height measurement is measured from the seat pan to the top of the back, +/- 1/2".
3. Seat back width 25"-32".
4. N/A on back widths 29-32".
5. Lateral extensions are required to mount lateral thoracic supports.

SEATING SPECIFICATIONS

Seat Width:		Seat Depth:	
20W	<input type="checkbox"/> 20"W	20D	<input type="checkbox"/> 20"D
21W	<input type="checkbox"/> 21"W	21D	<input type="checkbox"/> 21"D
22W	<input type="checkbox"/> 22"W	22D	<input type="checkbox"/> 22"D
23W	<input type="checkbox"/> 23"W	23D	<input type="checkbox"/> 23"D
24W	<input type="checkbox"/> 24"W	24D	<input type="checkbox"/> 24"D
25W	<input type="checkbox"/> 25"W	25D	<input type="checkbox"/> 25"D
26W	<input type="checkbox"/> 26"W	26D	<input type="checkbox"/> 26"D
27W	<input type="checkbox"/> 27"W	27D	<input type="checkbox"/> 27"D
28W	<input type="checkbox"/> 28"W	28D	<input type="checkbox"/> 28"D
29W	<input type="checkbox"/> 29"W		
30W	<input type="checkbox"/> 30"W		
31W	<input type="checkbox"/> 31"W		
32W	<input type="checkbox"/> 32"W		

Choose a width and depth package and combine both option #'s for the full option #

Seat Width Package:		Seat Depth Package:	
2024W	<input type="checkbox"/> 20"W-24"W	2024D	<input type="checkbox"/> 15"D-20"D
2428W	<input type="checkbox"/> 24"W-26"W	2428D	<input type="checkbox"/> 20"D-24"D
2628W	<input type="checkbox"/> 26"W-28"W	2428D	<input type="checkbox"/> 24"D-28"D
2830W	<input type="checkbox"/> 28"W-30"W		
3032W	<input type="checkbox"/> 30"W-32"W		

ARMRESTS HEADRESTS

Option #	Description	Price	HCPSC Code
<input type="checkbox"/>	Bariatric, Removable, Height Adjustable ¹	\$85 ea.	E0973
Height:	<input type="checkbox"/> 8"H-12"H <input type="checkbox"/> 10"H-14"H		
<input type="checkbox"/>	Removable, Single Post, Height Adjustable, Heavy Duty	\$85 ea.	E0973
Height:	<input type="checkbox"/> 8"H-12"H <input type="checkbox"/> 10"H-14"H		
<input type="checkbox"/>	Height Adjustable, Cantilever ² <i>Angle Adjustable: -30° through +30°</i>	\$195 pr.	

1. Bariatric armrests are full length and require bariatric armpads.
2. Height adjustment from 11"-17" depends on cane height.

ARMPADS

Option #	Description	Price
<input type="checkbox"/>	Straight, Full Length (2"x14")	Standard
	<input type="checkbox"/> Left <input type="checkbox"/> Right	
<input type="checkbox"/>	Straight, Desk Length (2"x10")	No Charge
	<input type="checkbox"/> Left <input type="checkbox"/> Right	
<input type="checkbox"/>	Waterfall, Full Length (2"x14")	No Charge
	<input type="checkbox"/> Left <input type="checkbox"/> Right	
<input type="checkbox"/>	Waterfall, Desk Length (2"x10")	No Charge
	<input type="checkbox"/> Left <input type="checkbox"/> Right	
<input type="checkbox"/>	Flat, Bariatric ¹	No Charge
<input type="checkbox"/>	Falcon, Gel, Full Length, Pair (3.5"x14")	\$80.00 ea.
	<input type="checkbox"/> Gel Armpad Mounting Plate (Required)	\$56.69 ea.
<input type="checkbox"/>	Falcon, Gel, Desk Length, Pair (3.5"x10")	\$62.50 ea.
	<input type="checkbox"/> Gel Armpad Mounting Plate (Required)	\$53.52 ea.

1. Bariatric armrests are full length and require bariatric armpads.

LAPBELTS

Option #	Description	Price
60BELT	<input type="checkbox"/> 60" Lap Belt	Standard
70BELT	<input type="checkbox"/> 70" Lap Belt	Standard
80BELT	<input type="checkbox"/> 80" Lap Belt	Standard
90BELT	<input type="checkbox"/> 90" Lap Belt	Standard
	<input type="checkbox"/> 60" Padded Push Button, Center Pull	\$115
	<input type="checkbox"/> Large 13-19", Hip Padded, Push Button	\$92
	<input type="checkbox"/> i-Fit 60" Single Pull, Push Button, Medium (7.5") Padded 1.5" Belt	\$86
	<input type="checkbox"/> i-Fit 60" Single Pull, Push Button, Large (9.5") Padded 2" Belt	\$86
	<input type="checkbox"/> i-Fit 60" Single Pull, Push Button, Extra Large (11.5") Padded, 2" Belt	\$86

Option #	Description	Price	HCPSC Code
Headrest Pads:			
CP250	<input type="checkbox"/> Stealth 10" Comfort Plus	\$142	E0955
CP150	<input type="checkbox"/> Stealth 14" Comfort Plus	\$142	E0955
STL:OTS250	<input type="checkbox"/> Stealth Small Contoured (9.75"W x 3"H)	\$60	E0955
STL:OTLD150	<input type="checkbox"/> Stealth Large Contoured (11"W x 6"H)	\$75	E0955
	<input type="checkbox"/> Omit Headrest		
Headrest Mounts:			
HMO475P	<input type="checkbox"/> Stealth Removable Headrest Bracket	\$150	E1028
TWB485-1	<input type="checkbox"/> Stealth's Worlds Best Removable Headrest Bracket	\$210	E1028
NOHR	<input type="checkbox"/> No Bracket		

NON-POWERED LEGRESTS

Option #	Description	Price
<i>All efforts will be made to accommodate legrest length selection but minor changes may need to be made to meet shipping guidelines. Some adjustment may be needed upon receipt of the unit.</i>		

<input type="checkbox"/>	Heavy Duty Drop-In Legrests	Standard	
	<input type="checkbox"/> 70 Degree		
	<input type="checkbox"/> 80 degree		
Rigging Selection:			
<input type="checkbox"/>	Standard Matching Legrests, pair		
<input type="checkbox"/>	Non-Matching Legrests, pair		
<input type="checkbox"/>	Individual Legrests (Left or Right Only)		
Footplate Selection:			
<input type="checkbox"/>	Angle-Adjustable Footplates ¹		
Left Legrest:		Right Legrest:	
<i>Lower Extensions:</i>		<i>Lower Extensions:</i>	
<input type="checkbox"/>	12"H-14.5"L	<input type="checkbox"/>	12"L-14.5"L
<input type="checkbox"/>	14.5"-18"L	<input type="checkbox"/>	14.5"-18"L
<input type="checkbox"/>	17.5"-21"L	<input type="checkbox"/>	17.5"-21"L

<input type="checkbox"/>	Angle Adjustable Footplate Size	
	<input type="checkbox"/> 4"W x 6"D	<input type="checkbox"/> 4"W x 6"D
	<input type="checkbox"/> 5"W x 6"D	<input type="checkbox"/> 5"W x 6"D
	<input type="checkbox"/> 5"W x 8"D	<input type="checkbox"/> 5"W x 8"D
	<input type="checkbox"/> 6"W x 8"D	<input type="checkbox"/> 6"W x 8"D
	<input type="checkbox"/> 6"W x 11"D	<input type="checkbox"/> 6"W x 11"D
	<input type="checkbox"/> 8"W x 11"D	<input type="checkbox"/> 8"W x 11"D

<i>Accessories:</i>		
BUMP	<input type="checkbox"/> Wheel Bumpers, pair	\$25

1. Includes Heel Loops.

ADJUSTABLE CENTER MOUNT FOOT PLATFORM SYNERGY® CUSHIONS

Option #	Description	Price
----------	-------------	-------

All efforts will be made to accommodate legrest length selection but minor changes may need to be made to meet shipping guidelines. Some adjustment may be needed upon receipt of the unit.

Adjustable Center Mount Foot Platform **\$250**

Extensions:

- CM1016** 10-16"L
- CM1319** 13-19"L

Foot Platform:

- 17"W x 13"D One Piece Foot Plate
- 17"W x 16"D One Piece Foot Plate

Calf Supports:


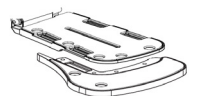
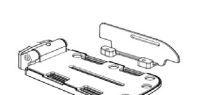
- Calf Pads (pair)**
 - Small (6"H x 6"W) \$150
 - Large (8"H x 8"W, tapered to 6"W) \$150

- Calf Pad Covers (pair)**
(1/2" Soft Visco Foam)
 - Air Mesh \$120
 - Reversed Dartex \$120

- Calf Panel (ea.)**
 - Small (8"H x 18"W) \$150
 - Large (8"H x 24"W)¹ \$200

- Calf Panel Covers**
(1/2" Soft Visco Foam)
 - Air Mesh \$120
 - Reversed Dartex \$120

Optional Modular Footplate Extension Components/Kits:²

- 4" Width Extension Kit \$50 
- 2" Bell Shaped, Length Extension Kit \$50 
- 6" Side Guard \$50 

Additional Optional Accessories:

- Wheel Bumpers, pair \$25
- Footplate Connector \$15

1. Only available on 20"W or greater.
2. Assembly required. May require seating configuration adjustments to avoid front caster interference.

Description	Price	HCPCS Code
-------------	-------	------------

- Matching Seat Size
- Non-Matching Seat Size

Please refer to Synergy Cushion order forms for detailed pricing, sizes, codes and part #'s

Spectrum® Visco Cushion: Skin Protection & Positioning

- 20" x 20" - 20" x 24" \$480 E2607
- 22" x 16" - 32" x 28" \$530 E2608

Tru Comfort™ 2 4-Way Stretch: Skin Protection:

- 20" x 20" - 20" x 24" \$380 E2603
- 22" x 16" - 22" x 24" \$480 E2604

ACCESSORIES

Option #	Description	Price	HCPCS Code
----------	-------------	-------	------------

- Rear Basket¹ \$103
- Cane/Crutch Holder¹ \$98 E2207
- Weather Cover, Black \$158
- Cup Holder \$17²
- Side:
 - Left
 - Right
- Saddle Bag \$28
- Flag Holder \$17
- Oxygen Holder
 - Contoured Seating¹ \$103 E2208
 - Synergy Seat \$150 E2208
- Walker Holder \$92
- Tablet Holder³ \$315
- Deluxe Cell Phone/Media Holder³ \$140
- Transfer Bar, Pair³ \$175 E0705
(Quick Release)

1. Includes mounting hardware.
2. No charge on Synergy seating
3. Only available with Synergy seating.

BATTERIES

Description	Price	HCPCS Code
-------------	-------	------------

- Group 24, 70 Amp, Gel \$352 ea. E2363
(Universal)
- Group 24, 70 Amp, Gel \$352 ea. E2363
(MK)
- No Batteries

Installation:

- Batteries Installed
- Do Not Install

The following items can be chosen in the Positioning Components screen in iQuantum. Please refer to the Positioning Components order form for additional details, sizes and pricing

LATERALS

Description Price HCPCS Code

Laterals are only available with Synergy® Seating

Stealth Thoracic Laterals¹

Bracket:

Swing-Away, Rail Mounts \$450 pr. E1028

Pads:

Curved Pad, 3" x 5" \$200 pr. E0956

Curved Pad, 4" x 6" \$200 pr. E0956

Lateral Installation:

Install
 Do Not Install

Stealth Pelvic/Thigh Guides²

Side:

Left
 Right

Bracket:

Flip Down \$225 ea. E1028

Removable \$250 ea. E1028

Flip Down, Full Surface Contact Bracket \$225 ea. E1028

Removable w/ 1" Offset \$325 ea. E1028

Adapter:

2" Height Adapter Plate³ \$25 ea. K0108

2 1/4" Height Adapter Plate⁴ \$50 ea. K0108

Pads:

Short Pad, 4" x 4" \$50 ea. E0956

Medium Pad, 4" x 8" \$50 ea. E0956

Long Pad, 4" x 12" \$50 ea. E0956

Lateral Installation:

Install
 Do Not Install

1. Swing-away laterals may interfere with Cantilever armrests.
 2. Pelvic/Thigh guides may interfere with the joystick receiver block.
 3. Height adapter is needed w/ Tru Comfort seat cushions. Not available/necessary with the flip Down bracket.
 4. Height adapter is needed w/ Tru Comfort seat cushions. Not available/necessary with the flip Down bracket.

SEAT TO FLOOR HEIGHTS

Seat	Seat-To-Floor Heights		
	16.5"	17.5"	18.5"
Synergy® Seating Frame	16.5"	17.5"	18.5"
High Back	20.5	21.5	22.5
High Back w/ SSP	17.5	18.5	19.5
High Back w/ Synergy Frame (26"W and Wider)	21.5	22.5	23.5
High Back w/ SSP and Synergy Frame (26"W and Wider)	18.5	19.5	20.5

Seat to floor height are +/- 1/8" with 24"W x 24"D with Flat-Free tires.

ADDITIONAL ACCESSORIES

Description Price HCPCS Code

Stealth Foot Boxes (pair) \$475 K0108

Small
 Medium
 Large

Stealth Padded Shoe Holders (pair) \$266 K0108

Small
 Medium
 X-Large

Stealth Elbow Support \$175 ea. E1028

Side:

Bracket - Left
 Bracket - Right

Pad:

3" x 3" (ARMS-ES-3x3) \$50 ea. K0108

4" x 4" (ARMS-ES-4x4) \$50 ea. K0108

Stealth i-Fit Dynamic Chest Straps \$142 E0960

Upper Classic, Medium (IFPS1103)
 Upper Classic, Large (IFPS1104)
 Upper Contour, Medium (IFPS2103)
 Upper Contour, Large (IFPS2104)

Stealth i-Fit Chest Strap Belt Anchor \$90

Medium (IFPS4113)
 Large (IFPS4114)

ADDITIONAL HEADREST ACCESSORIES

Description Price HCPCS Code

Stealth Facial Laterals¹

Right Side, 4.5" x 2" Pad (CPS9-R-HW & 900-Q) \$325 E1028

Left Side, 4.5" x 2" Pad (CPS9-L-HW & 900-Q) \$325 E1028

Right and Left 4.5" x 2" Pad (CPS9-B-HW & 900-Q) \$425 E1028

Egg Switch Mount (ESM) \$50 ea.

Facial Pad, 6" x 2" (Q920-Q) \$50 ea. K0108

Figure Eight Bracket with 13" Rod and Egg Switch Mount (F8678-13-Q) \$250 K0108

Swing-away Joystick Mount, 18" Rod (SUS18-Q) \$250 K0108

1. Only available with Stealth Comfort Series Headrests.