

Quantum® R4000 Series

Group 3 Single Power & Multiple Power

Order Form / ODJSF Only

300 lbs weight capacity



Account Number: _____

Provider Name: _____

Contact: _____

Phone: _____

Fax: _____

Date: _____

PO#: _____

Marked For: _____

Ship To: _____

Address: _____

City: _____ State: _____ Zip: _____

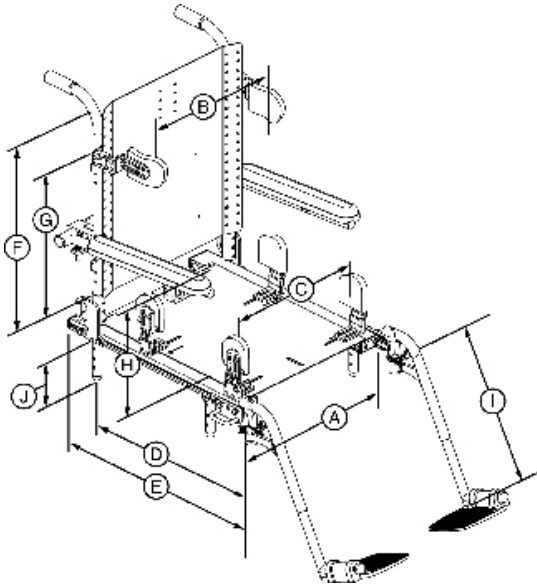
Discount: _____

Terms: _____

Freight: _____

Taken By: _____

SET-TO-SPEC*



Please supply patient information for optimal setup prior to shipping.

Client Height: _____

Client Weight: _____

A. Seat Width: _____

B. Lateral Offset: _____

C. Hip/Thigh Lateral Offset: _____

D. Center of Gravity: *Optimized based on seat dimensions*

E. Seat Depth: _____

F. Back Height from Pan: _____

G. Lateral Height from Pan: _____

H. Armrest Height from Pan: _____

I. Rigging Length (whole numbers only): _____

J. Seat to Floor Height (circle one): _____

Clinician Notes: _____

Seating System	Seat-To-Floor Heights			
	18.875"	19.875"	20.875"	21.875"
TRU-Balance® Tilt or Tilt & Recline	18.875"	19.875"	20.875"	21.875"
Super-Low TRU-Balance® Tilt or Tilt & Recline	17.875"	18.875"	19.875"	19.875"
TRU-Balance® Recline	16.75"	17.625"	18.5"	18.5"
TRU-Balance® Lift	19.625"	20.5"	21.375"	21.375"
Super-Low TRU-Balance® Lift	17.875"	18.75"	19.625"	19.625"

Seat to floor height are +/- 1/8" with 18"W x 18"D with Flat-Free tires and 8" casters (add 5/8" for 9" casters). Increased widths may increase lowest seat to floor heights.

* While every effort will be taken to ensure items will be preset to your specifications prior to shipping, variations in options may effect final settings.

DME providers are responsible for determining appropriate billing codes when submitting for insurance reimbursement.

HCPCS codes should not be considered as legal advice. All prices are MSRP.

BASE MODEL

Description	Price	HCPCS Code
<input type="checkbox"/> Quantum R4000 3SP-SS	\$6,808	K0856/K0011 Mfg. Suggested
<input type="checkbox"/> Quantum R4000 3MP-SS	\$6,608	K0861/K0011 Mfg. Suggested

COLOR

<input type="checkbox"/> Candy Apple Red	<input type="checkbox"/> Onyx Black
<input type="checkbox"/> Viper Blue	<input type="checkbox"/> Silver
<input type="checkbox"/> Sunburst Orange	<input type="checkbox"/> Champagne

DRIVE WHEELS

Description	Price
<input type="checkbox"/> 14" Flat-Free	Standard
<input type="checkbox"/> 14" Pneumatic	No Charge
<input type="checkbox"/> 4" Wide Flat Free, Knobby, Extended-Traction Tires ¹	\$551
<input type="checkbox"/> 4" Wide Pneumatic, Knobby, Extended-Traction Tires ¹	\$551

CASTER WHEELS

<input type="checkbox"/> 9" Pneumatic (pair)	Standard
<input type="checkbox"/> 9" Flat-Free (pair)	\$105
<input type="checkbox"/> 8" Flat-Free (pair)	\$105

MOTOR OPTIONS

Description	Price	HCPCS Code
<input type="checkbox"/> Standard Motor Package	Standard	
<input type="checkbox"/> High Speed H2 (6MPH) Motor Package	\$1,574	
<i>Programmable Speed Up To 6MPH, 300 lbs. Weight Capacity. HS Motors decrease per-charge range.</i>		
<input type="checkbox"/> High Speed Hammer (8MPH) Motor Package ²	\$1,574	
<i>Programmable Speed Up To 8 MPH, 300 lbs. Weight Capacity. HS Motors decrease per-charge range.</i>		
<input type="checkbox"/> Community Use Package ¹	\$2,125	
Package Includes:		
- 300 lbs. Weight Capacity		
- 4-Pole High Speed (6MPH) Motor Package		
- 4" Wide Flat Free or Pneumatic Knobby, Extended Traction Tires		

LED LIGHT PACKAGE

Description	Price
<input type="checkbox"/> Through Q-Logic EX with Lights ³	\$995
<input type="checkbox"/> Through 9-Key VR2 with Lights	\$995

BATTERY CHARGER

Description	Price
<input type="checkbox"/> 8 Amp, Off-board Charger	Standard

NON-EXPANDABLE CONTROLS

Description	Price
<input type="checkbox"/> PG VR2 70 amp <input type="checkbox"/> 1 Profile <input type="checkbox"/> Multiple Profile	No Charge
<input type="checkbox"/> PG 6-Key VR2 70 amp <input type="checkbox"/> 1 Profile <input type="checkbox"/> Multiple Profile	\$200 <i>Standard on 3SP- SS Package</i>
<input type="checkbox"/> PG 9-Key VR2 w/ Lights 70 amp <input type="checkbox"/> 1 Profile <input type="checkbox"/> Multiple Profile	\$200

FOOTNOTES

- Increases overall base width by 1.5" with Flat Free, 1.8" with Pneumatic. Only Available with High Speed Motors.
- Requires Q-Logic EX.
- LED light package with Tru Balance Lift requires SOF.
- All mounting hardware is included in kit. See Specialty Electronics order form for additional mounting options and secondary controls. Bluetooth mouse emulator requires a run plug harness for either static or power seating. Additional fees will apply.
- Use code E2323 when not used in conjunction with a chin control.
- Not available with Q-logic EX Stand Alone Joystick.

EXPANDABLE CONTROLS

Q-Logic EX Joystick or Enhanced Display must be ordered with a Q-Logic EX Controller and Harness For Expandable Controls

Description	Price	HCPCS Code
<input type="checkbox"/> 100 Amp Q-Logic EX Controller	\$695	E2377
<input type="checkbox"/> Harness For Expandable Controller	\$350	E2313
<input type="checkbox"/> Q-Logic EX Joystick	\$700	
<input type="checkbox"/> Q-Logic EX Joystick for Lights <i>Required For LED Light Package</i>	\$700	
<input type="checkbox"/> Q-Logic EX Standalone Joystick	\$700	E2373
<input type="checkbox"/> Q-Logic EX Enhanced Display ⁴ <i>w/ Bluetooth Mouse & IR Capability (KITASMB1678)</i>	\$1,884.93	
Includes:		
- Q-Logic EX Enhanced Display		
- Flexible Gooseneck		
- Enhanced Display Mounting Bracket		

PROGRAMMING

Description	Price
<input type="checkbox"/> Q-Logic Handheld Programmer	\$545
<input type="checkbox"/> Q-Logic PC Programming Cable with Disk	\$750
<input type="checkbox"/> PG Handheld Programmer	\$423

JOYSTICK HANDLES

Description	Price	HCPCS Code
<input type="checkbox"/> Standard Knob	Standard	
<input type="checkbox"/> Mushroom Handle	\$71	E2323
<input type="checkbox"/> T-Bar	\$107	E2323
<input type="checkbox"/> Chin Cup	\$71	E2324 ⁵
<input type="checkbox"/> Extended I-Handle	\$71	E2323
<input type="checkbox"/> Soft Ball Handle	\$50	E2323
<input type="checkbox"/> Medium Ball Handle	\$50	E2323
<input type="checkbox"/> Bodypoint 3" Goal Post Handle	\$69	E2323
<input type="checkbox"/> Bodypoint 4" Goal Post Handle	\$69	E2323

JOYSTICK MOUNTING BRACKETS

Description	Price	HCPCS Code
<i>Comes Standard with a Quick Release, Adjustable-Height Joystick Block</i>		
<input type="checkbox"/> Fixed Inline ⁶	Standard	
<input type="checkbox"/> Left <input type="checkbox"/> Right		
<input type="checkbox"/> Swing-away	\$210	E1028
<input type="checkbox"/> Left <input type="checkbox"/> Right		
<input type="checkbox"/> Inline <input type="checkbox"/> Offset		
<input type="checkbox"/> 4" Ext. <input type="checkbox"/> 7" Ext.		
<input type="checkbox"/> Multi-axis Fixed	\$100	K0108
<input type="checkbox"/> Left <input type="checkbox"/> Right		

TRU-BALANCE® POWER POSITIONING SYSTEMS

Description	Price	HCPCS Code
<input type="checkbox"/> TRU-Balance® Power Tilt (45°) <i>45 degree center of gravity (CG) power tilt seating system. 300lbs weight capacity.</i>	\$4995	E1002
<input type="checkbox"/> TRU-Balance® Power Recline (168°) <i>Full Drive lock-out at 20 degrees. 300 lbs. weight capacity</i>	\$5595	E1004
<input type="checkbox"/> TRU-Balance® Power Tilt (45°) & Recline (168°) <i>Full Drive lock-out at 20 degrees, 300 lbs. weight capacity 45 degree center of gravity (CG) power tilt seating system.</i>	\$9595	E1007
<input type="checkbox"/> TRU-Balance® Lift (10") ¹ <i>Must be selected in conjunction with TB Power Tilt or TB Power Tilt & Recline.</i>	\$2895	
<input type="checkbox"/> TRU-Balance® Super Low Option ² <i>For Use With TRU-Balance Tilt, Tilt & Recline, or Lift To Achieve Lower Seat-To-Floor Height</i>	No Charge	

SEATING SPECIFICATIONS

Seat Width:

14" 15" 16" 17" 18"
 19" 20"

Seat Width Package:

14"W-18"W 16"W-20"W

Seat Depth:

14" 15" 16" 17" 18"
 19" 20"

Seat Depth Package:

14"D-18"D 16"D-20"D

Back Cane Height:

14" 15" 16" 17" 18"
 19" 20" 21" 22" 23"
 24" 25"

Back Rest Height:

18" 19" 20" 21" 22"
 23" 24" 25"

BACK OPTIONS

Description	Price	HCPCS Code
Tilt Back:		
<input type="checkbox"/> Synergy Back with 1.5" thick back cushion <i>Choose Lateral Extension:</i>	Standard	
<input type="checkbox"/> 10" (For Back Heights 18")	\$25	
<input type="checkbox"/> 12" (For Back Heights 19"-22")	\$25	
<input type="checkbox"/> 16" (For Back Heights 23"-25")	\$25	
<input type="checkbox"/> Synergy® Shape Back Positioning Back <i>See Synergy Shape Back order form for detailed pricing, sizes and codes</i>	Various	E2613/E2614
<input type="checkbox"/> Omit Back	(-\$100)	
Tilt Back Options:		
<input type="checkbox"/> Standard Back Canes	Standard	
<input type="checkbox"/> Omit Push Handles	\$125	
<input type="checkbox"/> Flip Forward Canes ³	\$150	
<input type="checkbox"/> Omit Push Handles	\$125	
<input type="checkbox"/> Offset (Meso) ⁴	\$195	
<input type="checkbox"/> 2" (1" Per Side) <input type="checkbox"/> 4" (2" Per Side)		
<input type="checkbox"/> Inset (Endo) ⁴	\$195	
<input type="checkbox"/> 2" (1" Per Side) <input type="checkbox"/> 4" (2" Per Side)		
<input type="checkbox"/> Attendant Manual Recline ⁵ <i>250lbs Weight Capacity, 180° of Recline</i>	\$750	E1226
Recline Back:		
<input type="checkbox"/> Synergy Reclining Back <i>with 1.5" thick back cushion</i>	Standard	
<input type="checkbox"/> After Market Back Interface ⁶	\$200	
Recline Back Options:		
<input type="checkbox"/> Offset (Meso) ⁷	\$195	
<input type="checkbox"/> 2" (1" Per Side) <input type="checkbox"/> 4" (2" Per Side)		
<input type="checkbox"/> Inset (Endo) ⁷	\$195	
<input type="checkbox"/> 2" (1" Per Side) <input type="checkbox"/> 4" (2" Per Side)		
Color Shroud Option:		
<input type="checkbox"/> Black	Standard	
<input type="checkbox"/> Champagne	N/C	
<input type="checkbox"/> Sunburst Orange	N/C	
<input type="checkbox"/> Candy Apple Red	N/C	
<input type="checkbox"/> Viper Blue	N/C	
<input type="checkbox"/> Silver	N/C	

TRU-COMFORT™ SEATING

Description	Price	HCPCS Code
<i>Please refer to TRU-Comfort™ Cushion and TRU-Comfort Back order forms for detailed pricing, sizes and codes.</i>		
TRU-Comfort™ Back Cushion:		
<input type="checkbox"/> 16"W <input type="checkbox"/> 18" W <input type="checkbox"/> 20"W	\$595	E2620
Back Height⁸:		
<input type="checkbox"/> 22" H <input type="checkbox"/> 25" H	No Charge	
Cover:		
<input type="checkbox"/> Standard Allure leather-like cover	No Charge	
<input type="checkbox"/> Plus 4-way stretch material cover	No Charge	
TRU-Comfort™ Back Options:		
<input type="checkbox"/> Offset (Meso) ⁹	\$195	
<input type="checkbox"/> 2" (1" Per Side) <input type="checkbox"/> 4" (2" Per Side)		
<input type="checkbox"/> Inset (Endo) ⁹	\$195	
<input type="checkbox"/> 2" (1" Per Side) <input type="checkbox"/> 4" (2" Per Side)		
<i>Please refer to TRU-Comfort™ Cushion and TRU-Comfort Back order forms for detailed pricing, sizes and codes.</i>		
TRU-Comfort™ Seat Cushion General Use <i>Includes Allure leather-like cover</i>		
<input type="checkbox"/> 16" x 16" - 20" x 20"	\$380	E2601
TRU-Comfort™ Plus Seat Cushion Skin Protection <i>Includes 4-way stretch material cover</i>		
<input type="checkbox"/> 16" x 16" - 20" x 20"	\$380	E2603

ARMRESTS

Description	Price	HCPCS Code
Tilt Armrests:		
<input type="checkbox"/> Flip-back, Cane Mounted ¹⁰	No Charge	
<input type="checkbox"/> 2-post, Flip-back, Height-adjustable, Removable ^{10,11}	No Charge	
<input type="checkbox"/> Single-post, Height-adjustable, Removable ¹²	No Charge	
<input type="checkbox"/> Quad Release Lever		
<input type="checkbox"/> Removable, Single-post, Height Adjustable, Heavy Duty	No Charge	
<input type="checkbox"/> 8"H - 12"H <input type="checkbox"/> 10"H-14"H		
<input type="checkbox"/> Pediatric, Removable ¹³	No Charge	
Color: <input type="checkbox"/> Match Shroud <input type="checkbox"/> Black		
<input type="checkbox"/> Quad Release Lever		
<input type="checkbox"/> Height Adjustable Cantilever Armrests ¹⁴	\$195	
<i>Angle-Adjustable: - 30° through + 30°</i>		
Recline Armrests:		
<input type="checkbox"/> Reclining, Flip Back <i>TRU-Balance Power Recline Only</i>		
<input type="checkbox"/> 8"H - 9"H <input type="checkbox"/> 10"H-11"H		
<input type="checkbox"/> Height Adjustable Cantilever Armrests ¹⁴	\$195	
<i>Angle-Adjustable: - 30° through + 30°</i>		

FOOTNOTES

- 10" of scissor lift. Must select TB Tilt or TB Tilt & Recline in conjunction with lift. Includes 1/4 Speed Inhibit. Allowable dimensions 16" x 16" - 20" x 20". Requires Q-Logic EX. Not available with Manual Recline.
- Requires Group 34 batteries.
- Not available with Attendant Manual Recline, O2 Holder, Cane Mounted or Cantilever Arms. Tru Comfort Back requires SOF. May interfere with Lateral Supports and Waterfall Arm pads.
- Dual Post Flip-back Armrests interfere with Meso canes. Not available with Manual Recline.
- Not available with Flip Back Arms, Cantilever Arms, Shape Back or 10" Lift. Requires 22"H canes. Pivot point 2.5" above seat pan. In iQuantum this option should be chosen under 'Depth Package Type' and also 'Back Cane Type'.
- Seat depth may be adjusted to accommodate certain after market backs. Contact your Quantum Specialist for details. Does not include brackets to mount After Market Back.
- Recline units require Cantilever Armrests. Back width cannot be less than 14"W or exceed 24"W.
- TRU-Comfort Back Rest Height is measured from the top of a 3" cushion.
- Dual Post Flip-back Armrests interfere with Meso brackets. Back width cannot be less than 16"W or exceed 22"W.
- Interferes with swing-away laterals.
- Height adjustable from 9"-13" from seat pan in 1" increments. Not available with a depth less than 15".
- Height adjustable from 11"-17" from seat pan in 1/2" increments.
- Height adjustable from 7.75"-9.75" from seat pan in 1/2" increments. Not available with full length arm pads.
- Height adjustment from 11-17" from seat pan depends on cane height. Not available with Manual Recline, Flip Forward back canes, Cane Clamp Pushbar, & Shape Back. Call for details when selecting aftermarket arm troughs.

ARMPADS

Description	Price	HCPCS Code
<input type="checkbox"/> Straight, Full Length (2"x14")	Standard	
<input type="checkbox"/> Left <input type="checkbox"/> Right		
<input type="checkbox"/> Straight, Desk Length (2"x10")	No Charge	
<input type="checkbox"/> Left <input type="checkbox"/> Right		
<input type="checkbox"/> Waterfall, Full Length (2"x14") ¹	No Charge	
<input type="checkbox"/> Left <input type="checkbox"/> Right		
<input type="checkbox"/> Waterfall, Desk Length (2"x10") ¹	No Charge	
<input type="checkbox"/> Left <input type="checkbox"/> Right		
<input type="checkbox"/> Falcon Gel, Full Length, (3.5"x14")	\$160 pr.	
<input type="checkbox"/> Left <input type="checkbox"/> Right		
<input type="checkbox"/> Full Length Gel Armpad	\$56.69 ea.	
Mounting Plate (Required)		
<input type="checkbox"/> Falcon Gel, Desk Length, (3.5"x10")	\$125 pr.	
<input type="checkbox"/> Left <input type="checkbox"/> Right		
<input type="checkbox"/> Desk Length Gel Armpad	\$53.52 ea.	
Mounting Plate (Required)		

POWER POSITIONING ELECTRONICS

Description	Price	HCPCS Code
Single Actuator Electronics		
<input type="checkbox"/> Through Toggle Box (Tilt Only)	No Charge	
<input type="checkbox"/> Left Mount <input type="checkbox"/> Right Mount		
<input type="checkbox"/> Through Single Switch Module ² (Tilt Only)	\$500	
<input type="checkbox"/> Through VR2 6-Key Controller (Tilt Only)	No Charge	
<input type="checkbox"/> Through Q-Logic EX Controller	\$1175	E2310
Multiple Actuator Electronics		
<input type="checkbox"/> Through Q-Logic EX Controller	\$2375	E2311
<input type="checkbox"/> Q-Logic EX Through 4-way Toggle	\$2375	
<input type="checkbox"/> Left Mount <input type="checkbox"/> Right Mount		
<input type="checkbox"/> Q-Logic EX Through 4-way Button Toggle	\$2375	
<input type="checkbox"/> Left Mount <input type="checkbox"/> Right Mount		
<input type="checkbox"/> Q-Logic EX through Quad Push-button	\$2375	
<input type="checkbox"/> Left Mount <input type="checkbox"/> Right Mount		

LAPBELTS

Description	Price	HCPCS Code
<input type="checkbox"/> 38" Lap Belt	Standard	
<input type="checkbox"/> 50" Lap Belt	Standard	
<input type="checkbox"/> 60" Lap Belt	Standard	
<input type="checkbox"/> 70" Lap Belt	Standard	
<input type="checkbox"/> 80" Lap Belt	Standard	
<input type="checkbox"/> 90" Lap Belt	Standard	
<input type="checkbox"/> Pelvic Positioning Belt, 2-Point Padded Med, 9"-15" Hip Width	\$87	
<input type="checkbox"/> Pelvic Positioning Belt, 2-Point Padded, Lg, 13"-19" Hip Width	\$92	
<input type="checkbox"/> Pelvic Positioning Belt, 4-Point Padded, Med, 9"-15" Hip Width	\$112	
<input type="checkbox"/> Pelvic Positioning Belt, 4-Point Padded, Lg, 13"-19" Hip Width	\$116	

HEADRESTS

Description	Price	HCPCS Code
<input type="checkbox"/> No Headrest Required		
TRU-Comfort™ Headrest³		
<input type="checkbox"/> 8" Wide Leatherette	\$205	E0955
<input type="checkbox"/> 8" TRU-Comfort Plus	\$205	E0955
<input type="checkbox"/> 10" Wide Leatherette	\$205	E0955
<input type="checkbox"/> 10" TRU-Comfort Plus	\$205	E0955
<input type="checkbox"/> Removable Headrest Bracket	\$210	E1028
Stealth		
<input type="checkbox"/> Small (9.75"W x 3"H)	\$205	E0955
<input type="checkbox"/> Large (11"W x 6"H)	\$205	E0955
<input type="checkbox"/> Pediatric Comfort Plus (6"W)	\$142	E0955
<input type="checkbox"/> Small Comfort Plus (10"W)	\$142	E0955
<input type="checkbox"/> Large Comfort Plus (14"W)	\$142	E0955
<input type="checkbox"/> Removable Headrest Bracket	\$210	E1028
<input type="checkbox"/> Swing-away (Flip-down) Headrest Bracket ⁴	\$210	E1028

Used in Addition to Removable Headrest Bracket

HEADRESTS (cont.)

Description	Price	HCPCS Code
Medical Applications		
<input type="checkbox"/> Reclining Headrest (6.5"W x 7"H)	\$205	E0955
<input type="checkbox"/> Removable Bracket For Reclining Headrest	\$210	E1028
Aftermarket Bracket		
<input type="checkbox"/> The World's Best Removable Headrest Hardware	\$210	E1028

LATERALS

Description	Price	HCPCS Code
<input type="checkbox"/> Stealth Thoracic Laterals (pair)⁵		
<i>Bracket:</i>		
<input type="checkbox"/> 125° Swing-Away Bracket	\$450	E1028
(For Use with TRU-Comfort)		
<input type="checkbox"/> Swing-Away, Rail Mount Bracket	\$450	E1028
(For Use with Synergy Back)		
<i>Pad:</i>		
<input type="checkbox"/> Flat Pad, 3" x 5", Leather-Like Cover	\$200	E0956
<input type="checkbox"/> Flat Pad, 4" x 6", Leather-Like Cover	\$200	E0956
<input type="checkbox"/> Curved Pad, 2" x 3", 4-Way Stretch Cover	\$200	E0956
<input type="checkbox"/> Curved Pad, 3" x 5", 4-Way Stretch Cover	\$200	E0956
<input type="checkbox"/> Curved Pad, 4" x 6", 4-Way Stretch Cover	\$200	E0956
<input type="checkbox"/> Stealth Pelvic/Thigh Laterals		
<i>Side:</i>		
<input type="checkbox"/> Left Side <input type="checkbox"/> Right Side		
<i>Bracket:</i>		
<input type="checkbox"/> Removable Bracket (ea.)	\$250	E1028
<input type="checkbox"/> Removable Bracket w/ 1" Offset (ea.)	\$325	E1028
<input type="checkbox"/> Flip Down Bracket (ea.)	\$225	E1028
<i>Pad:</i>		
<input type="checkbox"/> Short Pad, 4" x 4" (ea.)	\$90	E0956
<input type="checkbox"/> Medium Pad, 4" x 8" (ea.)	\$90	E0956
<input type="checkbox"/> Long Pad, 4" x 12" (ea.)	\$90	E0956
<i>Adapter:</i>		
<input type="checkbox"/> 2" Depth/Height Adapter Plate ⁶	\$25	K0108

NON-POWER LEGRESTS

Description	Price	HCPCS Code
<input type="checkbox"/> Swing-away Legrests⁷		
<input type="checkbox"/> 70° <input type="checkbox"/> 80°	Standard	
<input type="checkbox"/> Straight <input type="checkbox"/> Tapered (70° only)		
<input type="checkbox"/> Standard Extruded Footplates		
Standard Extruded Extensions:	No Charge	
<input type="checkbox"/> 11"-13" <input type="checkbox"/> 13"-16.5" <input type="checkbox"/> 15.5"-19.5"		
Standard Extruded Footplates:		
<input type="checkbox"/> 7.25" x 6" <input type="checkbox"/> 8.5" x 6"		
<input type="checkbox"/> Angle-Adjustable Footplates⁸		
Angle Adjustable Extensions:	\$150	K0040
<input type="checkbox"/> 11"-13" <input type="checkbox"/> 13"-16.5" <input type="checkbox"/> 15.5"-19.5"		
Angle-Adjustable Footplates:		
<input type="checkbox"/> 4" x 6" <input type="checkbox"/> 5" x 6" <input type="checkbox"/> 5" x 8"		
<input type="checkbox"/> 6" x 8" ⁹ <input type="checkbox"/> 6" x 11" ⁹ <input type="checkbox"/> 8" x 11" ¹⁰		
<input type="checkbox"/> Multi-Axis Footplates⁸		
Multi-Axis Extensions:	\$495	K0040
<input type="checkbox"/> 11"-16.5" <input type="checkbox"/> 15.5"-19.5"		
Multi-Axis Footplates:		
<input type="checkbox"/> 4" x 6" <input type="checkbox"/> 5" x 6" <input type="checkbox"/> 5" x 8"		
<input type="checkbox"/> 6" x 8" ⁹ <input type="checkbox"/> 6" x 11" ⁹ <input type="checkbox"/> 8" x 11" ¹⁰		

FOOTNOTES

1. Not available w/ Cane Mounted, Flip Back Armrests combined with a Synergy Back.
2. Single switch not included. See specialty controls order form for a list of available switches.
3. TRU-Comfort™ Headrest is measured at the front of the pad.
4. Not available with power recline.
5. Swing-away laterals interfere with flip-back armrests.
6. Height adapter plate is needed w/ Tru Comfort seat cushion. Not available on the flip down bracket.
7. Extensions measured from top of seatpan to footplate.
8. Includes heel loops.
9. Requires seat width 18" or greater.
10. Requires seat width 20" or greater.

NON-POWER LEGRESTS (cont.)

Description	Price	HCPCS Code
<input type="checkbox"/> High Mount, Clamp-On Footrest		
<input type="checkbox"/> Angle Adjustable		K0040
<input type="checkbox"/> Small, 4" x 7.75"	\$356	
<input type="checkbox"/> Large, 4.25" x 9.25"	\$356	
<input type="checkbox"/> Multi-Axis		K0040
<input type="checkbox"/> Small, 4" x 7.75"	\$456	
<input type="checkbox"/> Large, 4.25" x 9.25"	\$460	
<input type="checkbox"/> Heavy Duty Drop-In Legrests¹	\$420	
<input type="checkbox"/> 70° <input type="checkbox"/> 80°		
<input type="checkbox"/> Angle Adjustable Footplates ²	\$150	K0040
Angle Adjustable Extension Length:		
<input type="checkbox"/> 12"-14.5" <input type="checkbox"/> 14.5" -18"		
Angle Adjustable Footplate Size:		
<input type="checkbox"/> 4" x 6" <input type="checkbox"/> 5" x 6" <input type="checkbox"/> 5" x 8"		
<input type="checkbox"/> 6" x 8" ³ <input type="checkbox"/> 6" x 11" ³ <input type="checkbox"/> 8" x 11" ⁴		
<input type="checkbox"/> Elevating Legrests¹	\$325	E0990
<input type="checkbox"/> Standard Footplates		
Standard Extruded Extension Length:		
<input type="checkbox"/> 11"-14" <input type="checkbox"/> 14"-17"		
Standard Extruded Footplate Size:		
<input type="checkbox"/> 7.25" x 6" <input type="checkbox"/> 8.5" x 6"		
<input type="checkbox"/> Angle Adjustable Footplates ²	\$150	K0040
Angle Adjustable Extension Length:		
<input type="checkbox"/> 12"-14.5" <input type="checkbox"/> 14.5" -18"		
Angle Adjustable Footplate Size:		
<input type="checkbox"/> 4" x 6" <input type="checkbox"/> 5" x 6" <input type="checkbox"/> 5" x 8"		
<input type="checkbox"/> 6" x 8" ³ <input type="checkbox"/> 6" x 11" ³ <input type="checkbox"/> 8" x 11" ⁴		
<input type="checkbox"/> Calf Pad Adjustment		
<input type="checkbox"/> 1 Hole <input type="checkbox"/> 3 Hole <input type="checkbox"/> 6 Hole		
<input type="checkbox"/> 90° Pediatric Swing-Away Legrests¹	No Charge	
<input type="checkbox"/> Angle Adjustable Footplates ²		
Angle Adjustable Extension Length:		
<input type="checkbox"/> 7"-10"		
Angle Adjustable Footplate Size:		
<input type="checkbox"/> 4" x 6" <input type="checkbox"/> 5" x 6"		

POWER ELEVATING LEGRESTS

Description	Price	HCPCS Code
<input type="checkbox"/> Articulating Swing-Away Legrests, 4" Articulation Range	\$2,395	E1010
<input type="checkbox"/> 70° <input type="checkbox"/> 80°		
<input type="checkbox"/> Quad Release Lever		
Calf Pads ⁵ :		
<input type="checkbox"/> 6" x 5.35" <input type="checkbox"/> 8" x 5.86"		
Angle Adjustable Extension Length ¹ :		
<input type="checkbox"/> 11"-13" <input type="checkbox"/> 14.5"-18"		
Angle Adjustable Footplate Size:		
<input type="checkbox"/> 4" x 6" <input type="checkbox"/> 5" x 6" <input type="checkbox"/> 5" x 8"		
<input type="checkbox"/> 6" x 8" ³ <input type="checkbox"/> 6" x 11" ³ <input type="checkbox"/> 8" x 11" ⁴		
Operational Method:		
<input type="checkbox"/> Independent <input type="checkbox"/> Combined		
<input type="checkbox"/> Articulating Drop-In Legrests	\$2,395	E1010
<input type="checkbox"/> 70° <input type="checkbox"/> 80°		
<input type="checkbox"/> 4" Range <input type="checkbox"/> 6" Range		
Calf Pads ⁵ :		
<input type="checkbox"/> 6" x 5.35" <input type="checkbox"/> 8" x 5.86"		
Angle Adjustable Extension Length ¹ :		
<input type="checkbox"/> 12"-14.5" <input type="checkbox"/> 14.5"-18"		
Angle Adjustable Footplate Size:		
<input type="checkbox"/> 4" x 6" <input type="checkbox"/> 5" x 6" <input type="checkbox"/> 5" x 8"		
<input type="checkbox"/> 6" x 8" ³ <input type="checkbox"/> 6" x 11" ³ <input type="checkbox"/> 8" x 11" ⁴		
Operational Method:		
<input type="checkbox"/> Independent <input type="checkbox"/> Combined		

FOOT RIGGING ACCESSORIES

Description	Price	HCPCS Code
<input type="checkbox"/> Wheel Bumpers ⁶	\$25	
<input type="checkbox"/> Heel Loops (pair) ⁷	\$38	E0951
<input type="checkbox"/> Gel Neoprene Footrest Sleeve (pair) ⁸	\$65	K0108
<input type="checkbox"/> ELR/ALR Adductor Buttons (pair)	\$125	K0108
<input type="checkbox"/> POSAlinc Knee Adductor for Swing-Away Legrests (pair)	\$256	K0108
<input type="checkbox"/> POSAlinc Rail Mounted Knee Adductor (pair)	\$287	K0108
<input type="checkbox"/> Residual Limb Support	\$300	E1020
<input type="checkbox"/> Left <input type="checkbox"/> Right		
<input type="checkbox"/> Ankle Huggers (pair)	\$134	K0108
<input type="checkbox"/> Small <input type="checkbox"/> Medium		

SYNERGY® CUSHIONS

Description	Price	HCPCS Code
<input type="checkbox"/> No Cushion Required		
<i>Please refer to Synergy order forms for detailed pricing, sizes and codes.</i>		
Simplicity Cushion <i>General Use</i>		
<input type="checkbox"/> 16" x 16" - 20" x 20"	\$98	E2601
Solution® 1 Cushion <i>Skin Protection</i>		
<input type="checkbox"/> 14" x 14" - 20" x 18"	\$380	E2603
<input type="checkbox"/> 20" x 20" - 20" x 20"	\$430	E2603
Solution® Cushion <i>Skin Protection & Positioning</i>		
<input type="checkbox"/> 10" x 10" - 20" x 18"	\$380	E2607
<input type="checkbox"/> 20" x 20" - 20" x 20"	\$430	E2607
Spectrum® Gel Cushion <i>Positioning</i>		
<input type="checkbox"/> 12" x 10" - 20" x 19"	\$480	E2605
<input type="checkbox"/> 20" x 20" - 20" x 20"	\$530	E2605
Spectrum® Visco Cushion <i>Skin Protection & Positioning</i>		
<input type="checkbox"/> 10" x 10" - 20" x 18"	\$480	E2607
<input type="checkbox"/> 20" x 20" - 20" x 20"	\$530	E2607
Spectrum Air <i>Adjustable Skin Protection</i>		
<input type="checkbox"/> 14" x 12" - 20" x 20"	\$480	E2622
Spectrum Air Contour <i>Adjustable Skin Protection & Positioning</i>		
<input type="checkbox"/> 14" x 12" - 20" x 20"	\$499	E2624

MISCELLANEOUS POSITIONING COMPONENTS

Description	Price	HCPCS Code
<input type="checkbox"/> Therafin Flip-down Knee Abductor Bracket	\$172	E1028
Pad:		
<input type="checkbox"/> Small <input type="checkbox"/> Medium <input type="checkbox"/> Large	\$135	E0957
<input type="checkbox"/> Stealth Foot Boxes (pair)	\$475	K0108
<input type="checkbox"/> Small <input type="checkbox"/> Medium <input type="checkbox"/> Large		
<input type="checkbox"/> Stealth Padded Shoe Holders (pair)	\$166	K0108
<input type="checkbox"/> Small <input type="checkbox"/> Medium <input type="checkbox"/> X-Large		
<input type="checkbox"/> Otto Bock Arm Channels (ea.)	\$104	E2209
Side:		
<input type="checkbox"/> Left <input type="checkbox"/> Right		
Size:		
<input type="checkbox"/> Small <input type="checkbox"/> Medium <input type="checkbox"/> Large		
<input type="checkbox"/> Otto Bock Flat Hand Pad (ea.)	\$52	
Side:		
<input type="checkbox"/> Left <input type="checkbox"/> Right		
Size:		
<input type="checkbox"/> Medium <input type="checkbox"/> Large		

Please see positioning components order form for additional types, sizes and details.

ACCESSORIES

Description	Price	HCPCS Code
<input type="checkbox"/> Quantum Backpack ⁹	\$60	
<input type="checkbox"/> Oxygen Holder ¹⁰	\$150	E2208
<input type="checkbox"/> Recline Accessory Mounting Bracket ¹¹	\$50	
<input type="checkbox"/> Weather Cover, Medium, Black	\$158	
<input type="checkbox"/> Cup Holder	\$17	
Side:		
<input type="checkbox"/> Left <input type="checkbox"/> Right		

BATTERY OPTIONS

Description	Price	HCPCS Code
<input type="checkbox"/> Group 24, 70 Amp, Gel (Universal)	\$352 ea.	E2363
<input type="checkbox"/> Group 24, 70 Amp, Gel (MK)	\$352 ea.	E2363
<input type="checkbox"/> Group 34, 60-Amp Gel ¹²	\$330 ea.	K0108
Installation:		
<input type="checkbox"/> Batteries Installed <input type="checkbox"/> Do Not Install		

FOOTNOTES

- Extensions measured from top of seatpan to footplate.
- Includes heel loops.
- Requires seat width 18" or greater.
- Requires seat width 20" or greater.
- Calf pads are selected in the Rigging Accessory section of i-Quantum.
- Standard on Power Elevating Legrests.
- Standard with angle adjustable footplates.
- Available only with swing-away legrests.
- Backpack may interfere w/ other rear accessories.
- Oxygen holder on Tilt with Tru Comfort back or on Power Recline requires SOF.
- 1" adaptor tube allows cane mounted accessories to mount to power recline back or siderail.
- Required with Super Low Option.