

Quantum® 1420 Series
Group 3 Single Power & Multiple Power
Order Form
500 lbs. Weight Capacity
Weight Capacity May Be Limited By Configuration



Account Number: _____

Provider Name: _____

Contact: _____

Phone: _____

Fax: _____

Date: _____

PO#: _____

Marked For: _____

Ship To: _____

Address: _____

City: _____ State: _____ Zip: _____

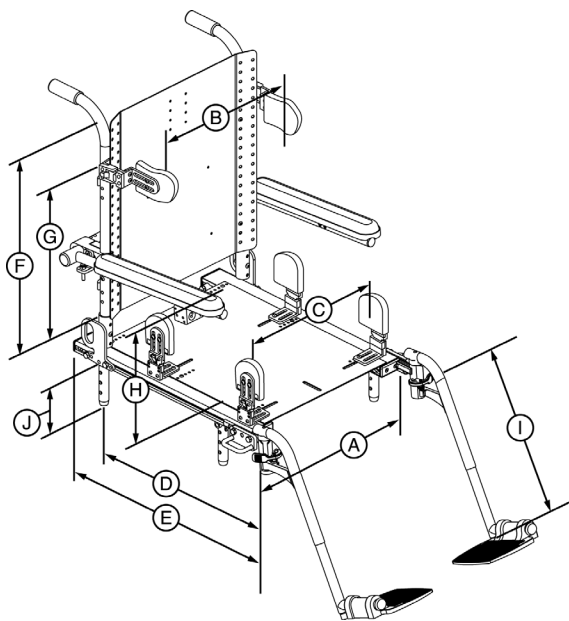
Discount: _____

Terms: _____

Freight: _____

Taken By: _____

SET-TO-SPEC®



Please supply patient information for optimal setup prior to shipping.

Client Height: _____

Client Weight: _____

A. Seat Width: _____

B. Lateral Offset: _____

C. Hip/Thigh Lateral Offset: _____

D. Center of Gravity: *Optimized based on seat dimensions*

E. Seat Depth: _____

F. Back Height from Pan: _____

G. Lateral Height from Pan: _____

H. Armrest Height from Pan: _____

I. Rigging Length (whole numbers only): _____

J. Seat to Floor Height (circle one): _____

Seating System	Seat-To-Floor		
TRU-Balance® Tilt (Fixed Towers)	20.5"	21.375"	22.25"
TRU-Balance® Tilt (Angle Adjustable)	20.25"	21.125"	22"
TRU-Balance® HD Tilt (Fixed Twrs)	20"	20.875"	21.75"
TRU-Balance® HD Tilt (Angle Adj.)	20.625"	21.5"	22.375"
TRU-Balance® Recline	18.125"	19.125"	20.125"
TRU-Balance® Lift	21"	21.875"	22.75"

Seat to floor height are +/- 1/8" with 18"W x 18"D with Flat-Free tires (add 3/8" for pneumatic tires). Increased widths may increase lowest seat to floor heights.

Clinician Notes: _____

* While every effort will be taken to ensure items will be preset to your specifications prior to shipping, variations in options may effect final settings.

JOYSTICK HANDLES

Description	Price	HCPCS Code
<input type="checkbox"/> Standard Knob	Standard	
<input type="checkbox"/> Mushroom Handle	\$71	E2323
<input type="checkbox"/> T-Bar	\$107	E2323
<input type="checkbox"/> Chin Cup	\$71	E2324 ¹
<input type="checkbox"/> Extended I-Handle	\$71	E2323
<input type="checkbox"/> Soft Ball Handle	\$50	E2323
<input type="checkbox"/> Medium Ball Handle	\$50	E2323
<input type="checkbox"/> Bodypoint 3" Goal Post Handle	\$66	E2323
<input type="checkbox"/> Bodypoint 4" Goal Post Handle	\$66	E2323

TRU-BALANCE® POWER POSITIONING SYSTEMS

Description	Price	HCPCS Code
<input type="checkbox"/> TRU-Balance® Power Tilt (55°) <i>55 degree center of gravity (CG) power tilt seating system. 300lbs weight capacity.</i>	\$4,995	E1002
<input type="checkbox"/> TRU-Balance® HD Power Tilt (55°) <i>55 degree center of gravity (CG) power tilt seating system. 400lbs weight capacity.</i>	\$4,995	E1002
<input type="checkbox"/> TRU-Balance® Power Recline (168°) <i>Full Drive lock-out at 20 degrees. 300 lbs. weight capacity</i>	\$5,595	E1004
<input type="checkbox"/> TRU-Balance® Power Tilt (55°) & Recline (168°) <i>Full Drive lock-out at 20 degrees, 300 lbs. weight capacity 55 degree center of gravity (CG) power tilt seating system.</i>	\$9,595	E1007
<input type="checkbox"/> TRU-Balance® Lift (10") ² <i>Must be selected in conjunction with TB Power Tilt or TB Power Tilt & Recline. 300lbs weight capacity, maximum seat size 22"W x 20"D</i>	\$2,895	

SEATING SPECIFICATIONS

Tower Selection (N/A for Power Recline):

- Angle Adjustable Fixed

Seat Width:

- 14" 15" 16" 17" 18"
 19" 20" 21" 22" 23"
 24"

Seat Width Package:

- 14"W-18"W 16"W-20"W 20"W-24"W

Seat Depth:

- 14" 15" 16" 17" 18"
 19" 20" 21" 22" 23"
 24"

Seat Depth Package:

- 14"D-18"D 16"D-20"D 20"D-24"D

Back Cane Height:

- 14" 15" 16" 17" 18"
 19" 20" 21" 22" 23"
 24" 25"

Back Rest Height:

- 18" 19" 20" 21" 22"
 23" 24" 25"

BACK OPTIONS

Description	Price	HCPCS Code
Tilt Back:		
<input type="checkbox"/> Synergy Back with 1.5" thick back cushion	Standard	
<i>Choose Lateral Extension:</i>		
<input type="checkbox"/> 10" (For Back Heights 18")	\$25	
<input type="checkbox"/> 12" (For Back Heights 19"-22")	\$25	
<input type="checkbox"/> 16" (For Back Heights 23"-25")	\$25	
<input type="checkbox"/> Synergy® Shape Back Positioning Back <i>See Synergy Shape Back order form for detailed pricing, sizes and codes</i>	Various	E2613/E2614
<input type="checkbox"/> Omit Back	(-\$100)	
Tilt Back Options:		
<input type="checkbox"/> Standard Back Canes	Standard	
<input type="checkbox"/> Omit Push Handles	\$125	
<input type="checkbox"/> Offset (Meso) ³	\$195	
<input type="checkbox"/> 2" (1" Per Side) <input type="checkbox"/> 4" (2" Per Side)		
<input type="checkbox"/> Inset (Endo) ³	\$195	
<input type="checkbox"/> 2" (1" Per Side) <input type="checkbox"/> 4" (2" Per Side)		
<input type="checkbox"/> Attendant Manual Recline ⁴ <i>300lbs Weight Capacity, 180° of Recline</i>	\$750	E1226

Recline Back:

- Synergy Reclining Back
with 1.5" thick back cushion Standard
- After Market Back Interface⁵ \$200
- Recline Back Options:**
- Offset (Meso)⁶ \$195
- 2" (1" Per Side) 4" (2" Per Side)
- Inset (Endo)⁶ \$195
- 2" (1" Per Side) 4" (2" Per Side)

TRU-COMFORT™ SEATING

Description	Price	HCPCS Code
<i>Please refer to TRU-Comfort™ Cushion and TRU-Comfort Back order forms for detailed pricing, sizes and codes.</i>		
TRU-Comfort™ Back Cushion:		
<input type="checkbox"/> 16"W <input type="checkbox"/> 18" W <input type="checkbox"/> 20"W	\$595	E2620
<input type="checkbox"/> 22"W		
Back Height⁷:		
<input type="checkbox"/> 22" H <input type="checkbox"/> 25" H	No Charge	
Cover:		
<input type="checkbox"/> Standard Allure leather-like cover	No Charge	
<input type="checkbox"/> Plus 4-way stretch material cover	No Charge	
TRU-Comfort™ Back Options:		
<input type="checkbox"/> Offset (Meso) ⁸	\$195	
<input type="checkbox"/> 2" (1" Per Side) <input type="checkbox"/> 4" (2" Per Side)		
<input type="checkbox"/> Inset (Endo) ⁸	\$195	
<input type="checkbox"/> 2" (1" Per Side) <input type="checkbox"/> 4" (2" Per Side)		
TRU-Comfort™ Seat Cushion <i>General Use</i>		
<i>Includes Allure leather-like cover</i>		
<input type="checkbox"/> 16" x 16" - 20" x 22"	\$380	E2601
<input type="checkbox"/> 22" x 16" - 22" x 24"	\$480	E2602
TRU-Comfort™ Plus Seat Cushion <i>Skin Protection</i>		
<i>Includes 4-way stretch material cover</i>		
<input type="checkbox"/> 16" x 16" - 20" x 22"	\$380	E2603
<input type="checkbox"/> 22" x 16" - 22" x 24"	\$480	E2604

FOOTNOTES

- When not used in conjunction with chin control use HCPCS code E2323.
- 10" of scissor lift. Must select TB Tilt or TB Tilt & Recline in conjunction with lift. Includes 1/4 Speed Inhibit. Allowable dimensions 16" x 16" - 20" x 20". Requires Q-Logic EX. Not available with Manual Recline.
- Dual Post Flip-back Armrests interfere with Meso canes. Not available with Manual Recline.
- Not available with Flip Back Arms, Cantilever Arms, Shape Back or Power Elevate. Requires Synergy Back. Pivot point 2.5" above seat pan. In iQuantum this option should be chosen under 'Depth Package Type' and also 'Back Cane Type'.
- Seat depth may be adjusted to accommodate certain after market backs. Contact your Quantum Specialist for details. Does not include brackets to mount After Market Back.
- Recline units require Cantilever Armrests and disallows the selection of an Articulating Vent Tray. Back width cannot be less than 14"W or exceed 24"W.
- TRU-Comfort Back Rest Height is measured from the top of a 3" cushion.
- Dual Post Flip-back Armrests interfere with Meso brackets. Back width cannot be less than 16"W or exceed 22"W.

ARMRESTS

Description	Price	HCPCS Code
Tilt Armrests:		
<input type="checkbox"/> Flip-back, Cane Mounted ¹	No Charge	
<input type="checkbox"/> 2-post, Flip-back, Height-adjustable, Removable ^{1,2}	No Charge	
<input type="checkbox"/> Single-post, Height-adjustable, Removable ³	No Charge	
<input type="checkbox"/> Quad Release Lever		
<input type="checkbox"/> Bariatric, Removable Height, Adjustable ⁴	\$150	
<input type="checkbox"/> 8"H - 12"H		<input type="checkbox"/> 10"H-14"H
<input type="checkbox"/> Removable, Single-post, Height Adjustable, Heavy Duty	No Charge	
<input type="checkbox"/> 8"H - 12"H		<input type="checkbox"/> 10"H-14"H
<input type="checkbox"/> Pediatric, Removable ⁵	No Charge	
Color: <input type="checkbox"/> Match Shroud <input type="checkbox"/> Black		
<input type="checkbox"/> Quad Release Lever		
<input type="checkbox"/> Height Adjustable Cantilever Armrests ⁶	\$195	
<i>Angle-Adjustable: - 30° through + 30°</i>		
Recline Armrests:		
<input type="checkbox"/> Reclining, Flip Back		
<i>TRU-Balance Power Recline Only</i>		
<input type="checkbox"/> 8"H - 9"H		<input type="checkbox"/> 10"H-11"H
<input type="checkbox"/> Height Adjustable Cantilever Armrests ⁶	\$195	
<i>Angle-Adjustable: - 30° through + 30°</i>		

ARMPADS

Description	Price	HCPCS Code
<input type="checkbox"/> Straight, Full Length (2"x14")	Standard	
<input type="checkbox"/> Left <input type="checkbox"/> Right		
<input type="checkbox"/> Straight, Desk Length (2"x10")	No Charge	
<input type="checkbox"/> Left <input type="checkbox"/> Right		
<input type="checkbox"/> Waterfall, Full Length (2"x14")	No Charge	
<input type="checkbox"/> Left <input type="checkbox"/> Right		
<input type="checkbox"/> Waterfall, Desk Length (2"x10")	No Charge	
<input type="checkbox"/> Left <input type="checkbox"/> Right		
<input type="checkbox"/> Falcon Gel, Full Length, (3.5"x14")	\$150 pr.	
<input type="checkbox"/> Left <input type="checkbox"/> Right		
<input type="checkbox"/> Falcon Gel, Desk Length, (3.5"x10")	\$115 pr.	
<input type="checkbox"/> Left <input type="checkbox"/> Right		
<input type="checkbox"/> Flat Bariatric ⁴	No Charge	
<input type="checkbox"/> Left <input type="checkbox"/> Right		

JOYSTICK MOUNTING BLOCKS

Description	Price	HCPCS Code
<input type="checkbox"/> Quick Disconnect ⁷	No Charge	
<input type="checkbox"/> Vertical Adjustment Clamp	\$95	K0108
<input type="checkbox"/> Figure 8 style (For use with waterfall armpads)	No Charge	
<input type="checkbox"/> Figure 8 T-style (For use with recline & waterfall armpads)	No Charge	

POWER POSITIONING ELECTRONICS

Description	Price	HCPCS Code
Single Actuator Electronics		
<input type="checkbox"/> Through Toggle Box (Tilt Only)	No Charge	
<input type="checkbox"/> Left Mount <input type="checkbox"/> Right Mount		
<input type="checkbox"/> Through Single Switch Module ⁸ (Tilt Only)	\$500	
<input type="checkbox"/> Through VR2 6-Key (Tilt Only)	No Charge	
<input type="checkbox"/> Through Q-Logic EX Controller	\$1175	E2310
Multiple Actuator Electronics		
<input type="checkbox"/> Through Q-Logic EX Controller	\$2375	E2311
<input type="checkbox"/> Q-Logic EX Through 4-way Toggle	\$2375	
<input type="checkbox"/> Left Mount <input type="checkbox"/> Right Mount		
<input type="checkbox"/> Q-Logic EX Through 4-way Button Toggle	\$2375	
<input type="checkbox"/> Left Mount <input type="checkbox"/> Right Mount		
<input type="checkbox"/> Q-Logic EX through Quad Push-button	\$2375	
<input type="checkbox"/> Left Mount <input type="checkbox"/> Right Mount		

LED LIGHT PACKAGE

Description	Price
<input type="checkbox"/> Through Q-Logic EX with Lights ⁹	\$995

LAP BELTS

Description	Price
<input type="checkbox"/> 38" Lap Belt	Standard
<input type="checkbox"/> 50" Lap Belt	Standard
<input type="checkbox"/> 60" Lap Belt	Standard
<input type="checkbox"/> 70" Lap Belt	Standard
<input type="checkbox"/> 80" Lap Belt	Standard
<input type="checkbox"/> 90" Lap Belt	Standard
<input type="checkbox"/> Pelvic Positioning Belt, 2-Point Padded Med, 9"-15" Hip Width	\$86
<input type="checkbox"/> Pelvic Positioning Belt, 2-Point Padded, Lg, 13"-19" Hip Width	\$91
<input type="checkbox"/> Pelvic Positioning Belt, 4-Point Padded, Med, 9"-15" Hip Width	\$112
<input type="checkbox"/> Pelvic Positioning Belt, 4-Point Padded, Lg, 13"-19" Hip Width	\$116

HEADRESTS

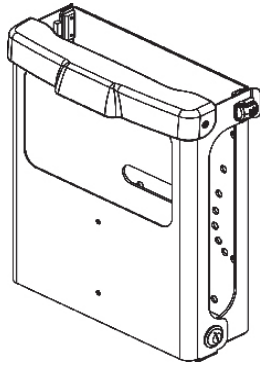
Description	Price	HCPCS Code
<input type="checkbox"/> No Headrest Required		
TRU-Comfort™ Headrest¹⁰		
<input type="checkbox"/> 8" Wide Leatherette	\$205	E0955
<input type="checkbox"/> 8" TRU-Comfort Plus	\$205	E0955
<input type="checkbox"/> 10" Wide Leatherette	\$205	E0955
<input type="checkbox"/> 10" TRU-Comfort Plus	\$205	E0955
<input type="checkbox"/> Removable Headrest Bracket ¹¹	\$210	E1028
Stealth		
<input type="checkbox"/> Small (9.75"W x 3"H)	\$205	E0955
<input type="checkbox"/> Large (11"W x 6"H)	\$205	E0955
<input type="checkbox"/> Small Comfort Plus (10"W)	\$205	E0955
<input type="checkbox"/> Large Comfort Plus (14"W)	\$205	E0955
<input type="checkbox"/> Removable Headrest Bracket ¹¹	\$210	E1028
<input type="checkbox"/> Swing-away (Flip-down) Headrest Bracket ¹²	\$210	E1028
<i>Used in Addition to Removable Headrest Bracket.</i>		
Medical Applications		
<input type="checkbox"/> Small (9.75"W x 3"H)	\$230	E0955
<input type="checkbox"/> Large (11"W x 6"H)	\$230	E0955
<input type="checkbox"/> Removable Headrest Bracket ¹¹	\$210	E1028
<input type="checkbox"/> Reclining Headrest (6.5"W x 7"H)	\$205	E0955
<input type="checkbox"/> Removable Bracket For Reclining Headrest ¹¹	\$210	E1028
Aftermarket Bracket		
<input type="checkbox"/> Removable Bracket for Aftermarket Headrest	\$210	E1028

FOOTNOTES

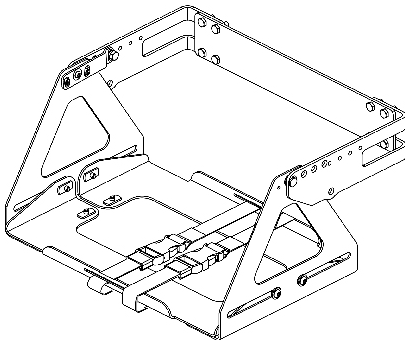
- Interferes with swing-away laterals.
- Height adjustable from 9"-13" from seat pan in 1" increments.
- Height adjustable from 11"-17" from seat pan in 1/2" increments.
- Bariatric armpads must be used with Bariatric Arms.
- Height adjustable from 7.75"-9.75" from seat pan in 1/2" increments. Not available with full length armpads.
- Height adjustment from 11"-17" from seat pan depends on cane height. Not available with Manual Recline, Flip Forward back canes, Cane Clamp Pushbar, & Shape Back. Call for details when selecting aftermarket arm troughs.
- Not available with Waterfall Armpads.
- Single switch not included. See specialty controls order form for a list of available switches.
- LED Light package with TRU-Balance Lift or HD Tilt requires SOF.
- TRU-Comfort headrest is measured at the front of the pad.
- When headrest pad is chosen i-Quantum automatically chooses Removable Headrest Bracket.
- Not available with power recline.

VENT TRAY

Description	Price	HCPCS Code
<i>The addition of a vent tray may increase the length & weight of your power chair.</i>		
<input type="checkbox"/> Compact Vent Tray	\$1,395	
Mounting Bracket:		
<i>Bracket selection not required with Recline systems or with TRU-Comfort Back</i>		
<input type="checkbox"/> 3" Offset ¹		
<input type="checkbox"/> 6" Offset		
<ul style="list-style-type: none"> - Max Vent Dim. 3.25" H x 10.5" W x 13.5" / 20 lbs. - Not Available with Shape Back, flip-down back canes, or with any rear mounted accessories - Requires back cane height greater than 22" on seats without recline. 		



<input type="checkbox"/> Articulating Vent Tray ² - 14.5"W x 10.5-15.5"D	\$1,450	E1030
<input type="checkbox"/> Articulating Bi-PAP Vent Tray ² - 9.5"W x 9.5-13.5"D	\$1,450	E1030



Battery Tray Selection (Articulating Tray Only):

<input type="checkbox"/> Battery Tray	\$450	K0108
<input type="checkbox"/> Include U1 Battery Box	\$50	K0108
<input type="checkbox"/> Include U1 Battery	\$133	E2365

LATERALS

Description	Price	HCPCS Code
<input type="checkbox"/> Stealth Thoracic Laterals (pair)		
<i>Bracket:</i>		
<input type="checkbox"/> 125° Swing-Away Bracket ³	\$450	E1028
<i>(For Use with TRU-Comfort)</i>		
<input type="checkbox"/> Swing-Away, Rail Mount Bracket ³	\$450	E1028
<i>(For Use with Synergy Back)</i>		
<i>Pad:</i>		
<input type="checkbox"/> Flat Pad, 3" x 5", Leather-Like Cover	\$200	E0956
<input type="checkbox"/> Flat Pad, 4" x 6", Leather-Like Cover	\$200	E0956
<input type="checkbox"/> Curved Pad, 2" x 3", 4-Way Stretch Cover	\$200	E0956
<input type="checkbox"/> Curved Pad, 3" x 5", 4-Way Stretch Cover	\$200	E0956
<input type="checkbox"/> Curved Pad, 4" x 6", 4-Way Stretch Cover	\$200	E0956

Stealth Pelvic/Thigh Laterals

<i>Side:</i>		
<input type="checkbox"/> Left Side		
<input type="checkbox"/> Right Side		
<i>Bracket:</i>		
<input type="checkbox"/> Removable Bracket (ea.)	\$250	E1028
<input type="checkbox"/> Flip Down Bracket (ea.)	\$225	E1028
<i>Pad:</i>		
<input type="checkbox"/> Short Pad, 4" x 4" (ea.)	\$90	E0956
<input type="checkbox"/> Medium Pad, 4" x 8" (ea.)	\$90	E0956
<input type="checkbox"/> Long Pad, 4" x 12" (ea.)	\$90	E0956

NON-POWERED LEGRESTS

Description	Price	HCPCS Code
<input type="checkbox"/> Swing-away Legrests⁴		
No Charge		
<input type="checkbox"/> Straight		
<input type="checkbox"/> Tapered		
<input type="checkbox"/> 70°		
<input type="checkbox"/> 80° (Straight Only)		
<input type="checkbox"/> Standard Extruded Footplates		
<i>Standard Extruded Extensions:</i>		
<input type="checkbox"/> 11"-13"		
<input type="checkbox"/> 13"-16.5"		
<input type="checkbox"/> 15.5"-19.5"		
<input type="checkbox"/> 18.5"-22.5"		
<i>Standard Extruded Footplates:</i>		
<input type="checkbox"/> 7.25" x 6"		
<input type="checkbox"/> 8.5" x 6"		
<input type="checkbox"/> Angle-Adjustable Footplates ⁵	\$150	K0040
<i>Angle Adjustable Extensions:</i>		
<input type="checkbox"/> 11"-13"		
<input type="checkbox"/> 13"-16.5"		
<input type="checkbox"/> 15.5"-19.5"		
<input type="checkbox"/> 18.5"-22.5"		
<i>Angle-Adjustable Footplates:</i>		
<input type="checkbox"/> 4" x 6"		
<input type="checkbox"/> 5" x 6"		
<input type="checkbox"/> 5" x 8"		
<input type="checkbox"/> 6" x 8" ⁶		
<input type="checkbox"/> 6" x 11" ⁶		
<input type="checkbox"/> 8" x 11" ⁷		
<input type="checkbox"/> Multi-Axis Footplates ⁵	\$495	K0040
<i>Multi-Axis Extensions:</i>		
<input type="checkbox"/> 11"-16.5"		
<input type="checkbox"/> 15.5"-19.5"		
<input type="checkbox"/> 18.5"-22.5"		
<i>Multi-Axis Footplates:</i>		
<input type="checkbox"/> 4" x 6"		
<input type="checkbox"/> 5" x 6"		
<input type="checkbox"/> 5" x 8"		
<input type="checkbox"/> 6" x 8" ⁶		
<input type="checkbox"/> 6" x 11" ⁶		
<input type="checkbox"/> 8" x 11" ⁷		
<input type="checkbox"/> Elevating Legrests⁴		
\$325		
E0990		
<input type="checkbox"/> Standard Footplates		
<i>Standard Extruded Extension Length:</i>		
<input type="checkbox"/> 11"-14"		
<input type="checkbox"/> 14"-17"		
<input type="checkbox"/> 17"-20"		
<i>Standard Extruded Footplate Size:</i>		
<input type="checkbox"/> 7.25" x 6"		
<input type="checkbox"/> 8.5" x 6"		
<i>Calf Pad Adjustment:</i>		
<input type="checkbox"/> 1 Hole		
<input type="checkbox"/> 3 Hole		
<input type="checkbox"/> 6 Hole		
<input type="checkbox"/> Angle Adjustable Footplates ⁵	\$150	K0040
<i>Angle Adjustable Extension Length:</i>		
<input type="checkbox"/> 12"-14.5"		
<input type="checkbox"/> 14.5"-18"		
<input type="checkbox"/> 17.5"-21"		
<i>Angle Adjustable Footplate Size:</i>		
<input type="checkbox"/> 4" x 6"		
<input type="checkbox"/> 5" x 6"		
<input type="checkbox"/> 5" x 8"		
<input type="checkbox"/> 6" x 8" ⁶		
<input type="checkbox"/> 6" x 11" ⁶		
<input type="checkbox"/> 8" x 11" ⁷		
<i>Calf Pad Adjustment:</i>		
<input type="checkbox"/> 1 Hole		
<input type="checkbox"/> 3 Hole		
<input type="checkbox"/> 6 Hole		
<input type="checkbox"/> High Mount, Clamp-On Footrest		
<input type="checkbox"/> Angle Adjustable		
<input type="checkbox"/> Small, 4" x 7.75"	\$326	K0040
<input type="checkbox"/> Large, 4.25" x 9.25"		
<input type="checkbox"/> Multi-Axis		
<input type="checkbox"/> Small, 4" x 7.75"	\$412	K0040
<input type="checkbox"/> Large, 4.25" x 9.25"		
<input type="checkbox"/> Heavy Duty Drop-In Legrests⁴		
\$420		
<input type="checkbox"/> 70°		
<input type="checkbox"/> 80°		
<input type="checkbox"/> Angle Adjustable Footplates ⁵	\$150	K0040
<i>Angle Adjustable Extension Length:</i>		
<input type="checkbox"/> 12"-14.5"		
<input type="checkbox"/> 14.5" -18"		
<input type="checkbox"/> 17.5"-21"		
<i>Angle Adjustable Footplate Size:</i>		
<input type="checkbox"/> 4" x 6"		
<input type="checkbox"/> 5" x 6"		
<input type="checkbox"/> 5" x 8"		
<input type="checkbox"/> 6" x 8" ⁶		
<input type="checkbox"/> 6" x 11" ⁶		
<input type="checkbox"/> 8" x 11" ⁷		

FOOTNOTES

- Not available with Flip-back Cane Mounted Arms.
- Not available with TRU Balance Lift, Power Elevating Seat, Manual Recline or with rear mounted accessories. Also not available on Power Recline with Endo or Meso Brackets.
- Swing-away Laterals Interfere with Flip-Up Armrests.
- Extension length is measured from seatpan to footplate.
- Angle Adjustable and Multi-Axis Footplates come standard with Heel Loops.
- Only available on seat widths of 18" or greater.
- Only available on seat widths of 20" or greater.

POWER ELEVATING LEGRESTS

Description	Price	HCPCS Code
<input type="checkbox"/> 70° Articulating Swing-Away Legrests, 4" Articulation Range¹	\$2,395	E1010
<input type="checkbox"/> Quad Release Lever Calf Pads ² : <input type="checkbox"/> 6" x 5.35" <input type="checkbox"/> 8" x 5.86" Angle Adjustable Extension Length ³ : <input type="checkbox"/> 11"-13" <input type="checkbox"/> 14.5"-18" <input type="checkbox"/> 17.5"-21" Angle Adjustable Footplate Size: <input type="checkbox"/> 4" x 6" <input type="checkbox"/> 5" x 6" <input type="checkbox"/> 5" x 8" <input type="checkbox"/> 6" x 8" ⁴ <input type="checkbox"/> 6" x 11" ⁴ <input type="checkbox"/> 8" x 11" ⁵ Operational Method: <input type="checkbox"/> Independent <input type="checkbox"/> Combined		
<input type="checkbox"/> 70° Articulating Drop-In Legrests¹	\$2,395	E1010
Angle: <input type="checkbox"/> 70° <input type="checkbox"/> 80° Range: <input type="checkbox"/> 4" Range <input type="checkbox"/> 6" Range Calf Pads ² : <input type="checkbox"/> 6" x 5.35" <input type="checkbox"/> 8" x 5.86" Angle Adjustable Extension Length ³ : <input type="checkbox"/> 12"-14.5" <input type="checkbox"/> 14.5"-18" <input type="checkbox"/> 17.5"-21" Angle Adjustable Footplate Size: <input type="checkbox"/> 4" x 6" <input type="checkbox"/> 5" x 6" <input type="checkbox"/> 5" x 8" <input type="checkbox"/> 6" x 8" ⁴ <input type="checkbox"/> 6" x 11" ⁴ <input type="checkbox"/> 8" x 11" ⁵ Operational Method: <input type="checkbox"/> Independent <input type="checkbox"/> Combined		

HIGHMOUNT FOOT PLATFORM

Description	Price	HCPCS Code
<input type="checkbox"/> High Mount Foot Platform	\$450	K0108
Lower Extension Length ³ : <input type="checkbox"/> 10"-14" Ext. <input type="checkbox"/> 14"-17" Ext. <input type="checkbox"/> 17"-20" Ext. Foot Platform Size ⁶ : <input type="checkbox"/> 9.55"D <input type="checkbox"/> 11.62"D		

FRONT RIGGING ACCESSORIES

Description	Price	HCPCS Code
<input type="checkbox"/> Wheel Bumpers ⁷	\$25	
<input type="checkbox"/> Heel Loops (pair) ⁸	\$38	E0951
<input type="checkbox"/> Gel Neoprene Footrest Sleeve (pair) ⁹	\$65	K0108
<input type="checkbox"/> ELR/ALR Adductor Buttons (pair)	\$100	K0108
<input type="checkbox"/> POSAlinc Knee Adductor for Swing-Away Legrests (pair)	\$464	K0108
<input type="checkbox"/> POSAlinc Rail Mounted Knee Adductor (pair)	\$464	K0108
<input type="checkbox"/> Residual Limb Support	\$300	E1020
<input type="checkbox"/> Left <input type="checkbox"/> Right		
<input type="checkbox"/> Ankle Huggers (pair)	\$126	K0108
<input type="checkbox"/> Small <input type="checkbox"/> Medium		

FOOTNOTES

1. Power ALR's come standard with Heel Loops and Wheel Bumpers.
2. Calf pads are selected in the rigging accessory section of iQuantum
3. Extensions are measured from top of seat pan to footplate.
4. Only available with seat width 18" or greater
5. Only available with seat width 20" or greater
6. Custom Footplatform sizes are available through the Quantum Applications and Sevelpment Dept.
7. Standard on Power Elevating Legrests
8. Standard with angle adjustable footplates
9. Available only with swing-away legrests.
10. Backpack may interfere w/ other rear accessories.
11. Oxygen holder on Tilt with Tru Comfort back or on Power Recline requires SOF.
12. 1" adaptor tube allows cane mounted accessories to mount to power recline back or siderail.
13. Not available with High Mount Foot Platform.

SYNERGY® CUSHIONS

Description	Price	HCPCS Code
<input type="checkbox"/> No Cushion Required Please refer to Synergy order forms for detailed pricing, sizes and codes.		
Simplicity Cushion General Use <input type="checkbox"/> 16" x 16" - 20" x 20" \$98 E2601 <input type="checkbox"/> 22" x 16" - 24" x 24" \$98 E2602		
Solution® 1 Cushion Skin Protection <input type="checkbox"/> 14" x 14" - 20" x 18" \$380 E2603 <input type="checkbox"/> 20" x 20" - 20" x 24" \$430 E2603 <input type="checkbox"/> 22" x 16" - 24" x 24" \$430 E2604		
Solution® Cushion Skin Protection & Positioning <input type="checkbox"/> 10" x 10" - 20" x 18" \$380 E2607 <input type="checkbox"/> 20" x 20" - 20" x 24" \$430 E2607 <input type="checkbox"/> 22" x 16" - 24" x 24" \$430 E2608		
Spectrum® Gel Cushion Positioning <input type="checkbox"/> 12" x 10" - 20" x 19" \$480 E2605 <input type="checkbox"/> 20" x 20" - 24" x 24" \$530 E2605 <input type="checkbox"/> 22" x 16" - 24" x 24" \$530 E2606		
Spectrum® Visco Cushion Skin Protection & Positioning <input type="checkbox"/> 10" x 10" - 20" x 18" \$480 E2607 <input type="checkbox"/> 20" x 20" - 20" x 24" \$530 E2607 <input type="checkbox"/> 22" x 16" - 24" x 24" \$530 E2608		
Spectrum® Air Adjustable Skin Protection <input type="checkbox"/> 14" x 12" - 20" x 24" \$480 E2622 <input type="checkbox"/> 22" x 16" - 24" x 24" \$530 E2623		
Spectrum® Air Contour Adjustable Skin Protection & Positioning <input type="checkbox"/> 14" x 12" - 20" x 24" \$499 E2624 <input type="checkbox"/> 22" x 16" - 24" x 24" \$549 E2625		

ACCESSORIES

Description	Price	HCPCS Code
<input type="checkbox"/> Quantum Backpack ¹⁰	\$60	
<input type="checkbox"/> Oxygen Holder ¹¹	\$150	E2208
<input type="checkbox"/> Recline Accessory Mounting Bracket ¹²	\$50	
<input type="checkbox"/> Weather Cover, Medium, Black	\$158	
<input type="checkbox"/> Cup Holder	\$17	
Side: <input type="checkbox"/> Left <input type="checkbox"/> Right		

BATTERY OPTIONS

Description	Price	HCPCS Code
<input type="checkbox"/> Group 24, 70 Amp, Gel (Universal)	\$352 ea.	E2363
<input type="checkbox"/> Group 24, 70 Amp, Gel (MK)	\$352 ea.	E2363
<input type="checkbox"/> NF-22, 50-Amp Batteries		
<input type="checkbox"/> Maintenance Free AGM \$255 ea. E2361 <input type="checkbox"/> Maintenance Free Gel Cell (Universal) \$295 ea. E2361 <input type="checkbox"/> Maintenance Free Gel Cell (MK) \$295 ea. E2361		
Installation: <input type="checkbox"/> Batteries Installed <input type="checkbox"/> Do Not Install		

MISCELLANEOUS POSITIONING COMPONENTS

Description	Price	HCPCS Code
<input type="checkbox"/> Therafin Flip-down Knee Abductor Bracket ¹³	\$190	E1028
Pad: <input type="checkbox"/> Small <input type="checkbox"/> Medium <input type="checkbox"/> Large		
<input type="checkbox"/> Stealth Shoe Boxes (pair)	\$475	K0108
<input type="checkbox"/> Small <input type="checkbox"/> Medium <input type="checkbox"/> Large		
<input type="checkbox"/> Stealth Padded Shoe Holders (pair)	\$166	K0108
<input type="checkbox"/> Small <input type="checkbox"/> Medium <input type="checkbox"/> X-Large		
<input type="checkbox"/> Otto Bock Arm Channels (ea.)	\$102	E2209
Side: <input type="checkbox"/> Left <input type="checkbox"/> Right		
Size: <input type="checkbox"/> Small <input type="checkbox"/> Medium <input type="checkbox"/> Large		
<input type="checkbox"/> Otto Bock Flat Hand Pad (ea.)	\$51	
Side: <input type="checkbox"/> Left <input type="checkbox"/> Right		
Size: <input type="checkbox"/> Medium <input type="checkbox"/> Large		

Please see positioning components order form for additional types, sizes and details.