

Quantum® 1650 Series

Group 3 Very Heavy Duty

Order Form

650 lbs. Weight Capacity

Weight Capacity May Be Limited By Configuration



Account Number: _____

Provider Name: _____

Contact: _____

Phone: _____

Fax: _____

Date: _____

PO#: _____

Marked For: _____

Ship To: _____

Address: _____

City: _____ State: _____ Zip: _____

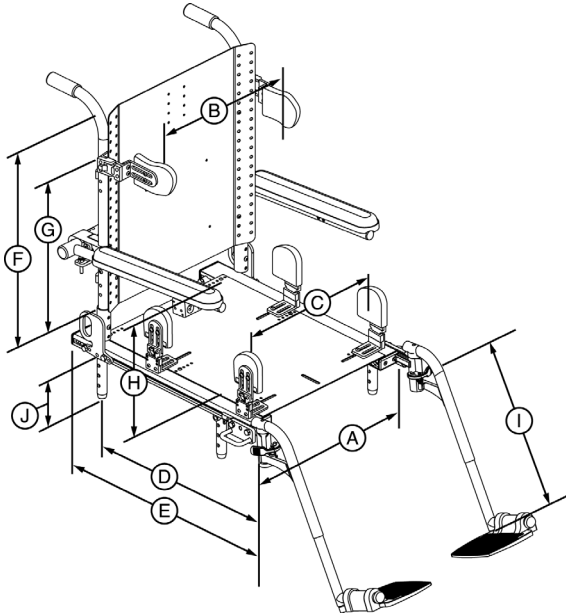
Discount: _____

Terms: _____

Freight: _____

Taken By: _____

SET-TO-SPEC*



Please supply patient information for optimal setup prior to shipping.

Client Height: _____

Client Weight: _____

A. Seat Width: _____

B. Lateral Offset: _____

C. Hip/Thigh Lateral Offset: _____

D. Center of Gravity: Optimized based on seat dimensions

E. Seat Depth: _____

F. Back Height from Pan: _____

G. Lateral Height from Pan: _____

H. Armrest Height from Pan: _____

I. Rigging Length (whole numbers only): _____

J. Seat to Floor Height (circle one): _____

| Seating System | Low | Middle | Tall |
|-------------------|---------|---------|---------|
| Contoured Seating | 22.75" | 23.75" | 24.75" |
| Synergy® Seat | 18.375" | 19.375" | 20.375" |

Seat to floor height are +/- 1/8" with 20"W x 18"D with Flat-Free tires (add 3/8" for pneumatic tires). Increased widths may increase lowest seat to floor heights.

Clinician Notes: _____

* While every effort will be taken to ensure items will be preset to your specifications prior to shipping, variations in options may effect final settings.

DME providers are responsible for determining appropriate billing codes when submitting for insurance reimbursement.

HCPCS codes should not be considered as legal advice. All prices are MSRP.

| BASE MODEL | PROGRAMMING |
|---|--|
| Description | Description |
| <input type="checkbox"/> Quantum 1650 3SPVHD-SS | <input type="checkbox"/> Q-Logic Handheld Programmer |

| Description | Price | HCPCS Code |
|---|----------|------------|
| <input type="checkbox"/> Quantum 1650 3SPVHD-SS | \$13,246 | K0860 |

| COLOR | |
|--|-------------------------------------|
| <input type="checkbox"/> Candy Apple Red | <input type="checkbox"/> Viper Blue |
| <input type="checkbox"/> Onyx Black | <input type="checkbox"/> Champagne |

| DRIVE WHEELS | |
|--|-----------|
| Description | Price |
| <input type="checkbox"/> 16" Flat-Free | Standard |
| <input type="checkbox"/> 16" Pneumatic | No Charge |

| BASE MOUNTED FOOT PLATFORM | |
|--|-----------|
| Description | Price |
| <input type="checkbox"/> Heavy Duty Foot Platform, 17"W x 13"D | Standard |
| <input type="checkbox"/> Heavy Duty Foot Platform, 17"W x 16"D | No Charge |
| <input type="checkbox"/> Omit Base Mounted Foot Platform | No Charge |

| EXTENDED RANGE PACKAGE | |
|---|-----------|
| Description | Price |
| <input type="checkbox"/> 2 Battery System <i>Requires 2 Group 24 Batteries</i> | Standard |
| <input type="checkbox"/> 4-Battery Extended Range System <i>Requires 4 NF-22 Batteries</i> | No Charge |

| EXPANDABLE CONTROLS | | |
|---------------------|-------|------------|
| Description | Price | HCPCS Code |

Q-Logic EX Joystick or Enhanced Display must be ordered with a Q-Logic EX Controller and Harness For Expandable Controls

| | | |
|---|------------|--|
| <input type="checkbox"/> 100 Amp Q-Logic EX Controller | Standard | |
| <input type="checkbox"/> Harness For Expandable Controller | Standard | |
| <input type="checkbox"/> Q-Logic EX Joystick | Standard | |
| <input type="checkbox"/> Q-Logic EX Standalone Joystick | No Charge | |
| <input type="checkbox"/> Q-Logic EX Enhanced Display ¹ <i>w/ Bluetooth Mouse & IR Capability (KITASMB1678)</i> Includes: - Q-Logic EX Enhanced Display - Flexible Gooseneck - Enhanced Display Mounting Bracket | \$1,884.93 | |

| JOYSTICK MOUNTING BRACKETS | | |
|----------------------------|-------|------------|
| Description | Price | HCPCS Code |

| | | |
|--|----------|-------|
| <input type="checkbox"/> Fixed Inline ² | Standard | |
| <input type="checkbox"/> Swing-away | \$210 | E1028 |
| <input type="checkbox"/> Multi-axis Fixed | \$100 | K0108 |

| JOYSTICK HANDLES | | |
|------------------|-------|------------|
| Description | Price | HCPCS Code |

| | | |
|--|----------|--------------------|
| <input type="checkbox"/> Standard Knob | Standard | |
| <input type="checkbox"/> Mushroom Handle | \$71 | E2323 |
| <input type="checkbox"/> T-Bar | \$107 | E2323 |
| <input type="checkbox"/> Chin Cup | \$71 | E2324 ³ |
| <input type="checkbox"/> Extended I-Handle | \$71 | E2323 |
| <input type="checkbox"/> Soft Ball Handle | \$50 | E2323 |
| <input type="checkbox"/> Medium Ball Handle | \$50 | E2323 |
| <input type="checkbox"/> Bodypoint 3" Goal Post Handle | \$66 | E2323 |
| <input type="checkbox"/> Bodypoint 4" Goal Post Handle | \$66 | E2323 |

| | |
|---|-------|
| <input type="checkbox"/> Q-Logic PC Programming Cable with Disk | \$750 |
|---|-------|



| HEAVY DUTY CONTOURED SEATING | |
|------------------------------|--|
|------------------------------|--|

| | |
|---|--|
| High Back: <i>Contact Reimbursement To Discuss Coding Options</i> | |
| <input type="checkbox"/> Heavy Duty High-Back with Headrest | No Charge |
| <input type="checkbox"/> Heavy Duty High-Back with Headrest & Solid Seat Pan ⁴ | No Charge |
| Upholstery: | |
| <input type="checkbox"/> Black Vinyl | <input type="checkbox"/> Beige Vinyl <input type="checkbox"/> Gray Vinyl |
| Seat Width: | |
| <input type="checkbox"/> 20" <input type="checkbox"/> 22" <input type="checkbox"/> 24" <input type="checkbox"/> 26" <input type="checkbox"/> 28" <input type="checkbox"/> 30" | |
| Seat Depth: | |
| <input type="checkbox"/> 18" <input type="checkbox"/> 20" <input type="checkbox"/> 22" <input type="checkbox"/> 24" <input type="checkbox"/> 26" <input type="checkbox"/> 28" | |
| Armrests: | |
| <input type="checkbox"/> Heavy Duty, Bariatric, Height-Adjustable, Removable | Standard |
| <input type="checkbox"/> 8"H - 12"H <input type="checkbox"/> 10"H-14"H | |
| Armpads: | |
| <input type="checkbox"/> Black, Molded, Bariatric Armpads | Standard |

| SYNERGY® SEATING SYSTEMS | | |
|--------------------------|-------|------------|
| Description | Price | HCPCS Code |

| | | |
|--|-------|--|
| <input type="checkbox"/> Synergy Seating Frame | \$434 | |
| <input type="checkbox"/> Heavy Duty Upgrade (Required For 1650 Base) | \$366 | |
| Seat Width: | | |
| <input type="checkbox"/> 20" <input type="checkbox"/> 21" <input type="checkbox"/> 22" <input type="checkbox"/> 23" <input type="checkbox"/> 24" | | |
| <input type="checkbox"/> 25" <input type="checkbox"/> 26" <input type="checkbox"/> 27" <input type="checkbox"/> 28" <input type="checkbox"/> 29" | | |
| <input type="checkbox"/> 30" <input type="checkbox"/> 31" <input type="checkbox"/> 32" | | |
| Seat Width Package: | | |
| <input type="checkbox"/> 20"W-24"W <input type="checkbox"/> 24"W-26"W <input type="checkbox"/> 26"W-28"W <input type="checkbox"/> 28"W-30"W <input type="checkbox"/> 30"W-32"W | | |
| Seat Depth: | | |
| <input type="checkbox"/> 18" <input type="checkbox"/> 19" <input type="checkbox"/> 20" <input type="checkbox"/> 21" <input type="checkbox"/> 22" | | |
| <input type="checkbox"/> 23" <input type="checkbox"/> 24" <input type="checkbox"/> 25" <input type="checkbox"/> 26" <input type="checkbox"/> 27" | | |
| <input type="checkbox"/> 28" | | |
| Seat Depth Package: | | |
| <input type="checkbox"/> 15"D-20"D <input type="checkbox"/> 20"D-24"D <input type="checkbox"/> 24"D-28"D | | |
| Back Cane Height: | | |
| <input type="checkbox"/> 14" <input type="checkbox"/> 15" <input type="checkbox"/> 16" <input type="checkbox"/> 17" | | |
| <input type="checkbox"/> 18" <input type="checkbox"/> 19" <input type="checkbox"/> 20" <input type="checkbox"/> 21" | | |
| <input type="checkbox"/> 22" <input type="checkbox"/> 23" <input type="checkbox"/> 24" <input type="checkbox"/> 25" | | |
| Back Rest Height: | | |
| <input type="checkbox"/> 18" <input type="checkbox"/> 19" <input type="checkbox"/> 20" <input type="checkbox"/> 21" | | |
| <input type="checkbox"/> 22" <input type="checkbox"/> 23" <input type="checkbox"/> 24" <input type="checkbox"/> 25" | | |

| SYNERGY® BACK OPTIONS | | |
|-----------------------|-------|------------|
| Description | Price | HCPCS Code |

| | | |
|--|-----------|-------------|
| <input type="checkbox"/> Synergy Back with 1.5" thick back cushion | | |
| <input type="checkbox"/> 20"W - 24"W | Standard | |
| <input type="checkbox"/> 25"W - 32"W | \$315 | |
| Choose Lateral Extension: | | |
| <input type="checkbox"/> 10" (For Back Heights 18") | \$25 | |
| <input type="checkbox"/> 12" (For Back Heights 19"-22") | \$25 | |
| <input type="checkbox"/> 16" (For Back Heights 23"-25") | \$25 | |
| <input type="checkbox"/> Synergy Shape Back Positioning Back | Various | E2613/E2614 |
| <i>See Synergy Shape Back Order Form For Detailed Pricing, Sizes and Codes</i> | | |
| <input type="checkbox"/> Sling Back | \$98 | |
| <input type="checkbox"/> Heavy Duty Sling Back | \$150 | |
| <input type="checkbox"/> Omit Back | No Charge | |

| FOOTNOTES | |
|-----------|--|
|-----------|--|

- All mounting hardware is included in kit. See Specialty Electronics order form for additional mounting options and secondary controls. Bluetooth mouse emulator requires a run plug harness for either static or power seating. Additional fees will apply.
- Not available with Q-Logic EX Stand Alone Joystick.
- Use HCPCS Code E2323 when not used in conjunction with chin control.
- Includes black vinyl covered Solid Seat Pan. Back and headrest in available colors.

SYNERGY® BACK CANE OPTIONS

| Description | Price |
|---|----------|
| <input type="checkbox"/> Standard Back Canes | Standard |
| <input type="checkbox"/> Omit Push Handles | \$125 |
| <input type="checkbox"/> Offset (Meso) | \$195 |
| <input type="checkbox"/> 2" (1" Per Side) <input type="checkbox"/> 4" (2" Per Side) | |
| <input type="checkbox"/> Inset (Endo) | \$195 |
| <input type="checkbox"/> 2" (1" Per Side) <input type="checkbox"/> 4" (2" Per Side) | |

ARMRESTS

| Description | Price | HCPCS Code |
|--|-------|------------|
| <input type="checkbox"/> Removable, Single-post, Height Adjustable, Heavy Duty | \$150 | E0973 |
| <input type="checkbox"/> 8"H - 12"H <input type="checkbox"/> 10"H-14"H | | |
| <input type="checkbox"/> Bariatric, Removable Height, Adjustable ¹ | \$150 | E0973 |
| <input type="checkbox"/> 8"H - 12"H <input type="checkbox"/> 10"H-14"H | | |

ARMPADS

| Description | Price |
|--|-----------|
| <input type="checkbox"/> Flat Bariatric ¹ | No Charge |
| <input type="checkbox"/> Left <input type="checkbox"/> Right | |
| <input type="checkbox"/> Straight, Full Length (2"x14") | Standard |
| <input type="checkbox"/> Left <input type="checkbox"/> Right | |
| <input type="checkbox"/> Straight, Desk Length (2"x10") | No Charge |
| <input type="checkbox"/> Left <input type="checkbox"/> Right | |
| <input type="checkbox"/> Waterfall, Full Length (2"x14") | No Charge |
| <input type="checkbox"/> Left <input type="checkbox"/> Right | |
| <input type="checkbox"/> Waterfall, Desk Length (2"x10") | No Charge |
| <input type="checkbox"/> Left <input type="checkbox"/> Right | |
| <input type="checkbox"/> Falcon Gel, Full Length, (3.5"x14") | \$150 pr. |
| <input type="checkbox"/> Left <input type="checkbox"/> Right | |
| <input type="checkbox"/> Falcon Gel, Desk Length, (3.5"x10") | \$115 pr. |
| <input type="checkbox"/> Left <input type="checkbox"/> Right | |

JOYSTICK MOUNTING BLOCKS

| Description | Price | HCPCS Code |
|--|-----------|------------|
| <input type="checkbox"/> Quick Disconnect ² | No Charge | |
| <input type="checkbox"/> Vertical Adjustment Clamp | \$95 | K0108 |
| <input type="checkbox"/> Figure 8 style (For use with waterfall armpads) | No Charge | |

LAPBELTS

| Description | Price |
|---------------------------------------|----------|
| <input type="checkbox"/> 60" Lap Belt | Standard |
| <input type="checkbox"/> 70" Lap Belt | Standard |
| <input type="checkbox"/> 80" Lap Belt | Standard |
| <input type="checkbox"/> 90" Lap Belt | Standard |

LATERALS

| Description | Price | HCPCS Code |
|---|-------|------------|
| <input type="checkbox"/> Stealth Thoracic Laterals (pair) | | |
| Bracket: | | |
| <input type="checkbox"/> Swing-Away, Rail Mount Bracket | \$450 | E1028 |
| <i>(For Use with Synergy Back)</i> | | |
| Pad: | | |
| <input type="checkbox"/> Flat Pad, 3" x 5", Leather-Like Cover | \$200 | E0956 |
| <input type="checkbox"/> Flat Pad, 4" x 6", Leather-Like Cover | \$200 | E0956 |
| <input type="checkbox"/> Curved Pad, 2" x 3", 4-Way Stretch Cover | \$200 | E0956 |
| <input type="checkbox"/> Curved Pad, 3" x 5", 4-Way Stretch Cover | \$200 | E0956 |
| <input type="checkbox"/> Curved Pad, 4" x 6", 4-Way Stretch Cover | \$200 | E0956 |

Stealth Pelvic/Thigh Laterals

| | | |
|--|-------|-------|
| Side: | | |
| <input type="checkbox"/> Left Side <input type="checkbox"/> Right Side | | |
| Bracket: | | |
| <input type="checkbox"/> Removable Bracket (ea.) | \$250 | E1028 |
| <input type="checkbox"/> Flip Down Bracket (ea.) | \$225 | E1028 |
| Pad: | | |
| <input type="checkbox"/> Short Pad, 4" x 4" (ea.) | \$90 | E0956 |
| <input type="checkbox"/> Medium Pad, 4" x 8" (ea.) | \$90 | E0956 |
| <input type="checkbox"/> Long Pad, 4" x 12" (ea.) | \$90 | E0956 |

HEADRESTS

| Description | Price | HCPCS Code |
|---|-------|------------|
| <input type="checkbox"/> No Headrest Required | | |
| TRU-Comfort™ Headrest³ | | |
| <input type="checkbox"/> 8"W Leatherette | \$205 | E0955 |
| <input type="checkbox"/> 8"W TRU-Comfort Plus | \$205 | E0955 |
| <input type="checkbox"/> 10"W Leatherette | \$205 | E0955 |
| <input type="checkbox"/> 10"W TRU-Comfort Plus | \$205 | E0955 |
| <input type="checkbox"/> Removable Headrest Bracket ⁴ | \$210 | E1028 |
| Stealth | | |
| <input type="checkbox"/> Small (9.75"W x 3"H) | \$205 | E0955 |
| <input type="checkbox"/> Large (11"W x 6"H) | \$205 | E0955 |
| <input type="checkbox"/> Pediatric Comfort Plus (6"W) | \$205 | E0955 |
| <input type="checkbox"/> Small Comfort Plus (10"W) | \$205 | E0955 |
| <input type="checkbox"/> Large Comfort Plus (14"W) | \$205 | E0955 |
| <input type="checkbox"/> Removable Headrest Bracket ⁴ | \$210 | E1028 |
| <input type="checkbox"/> Swing-away (Flip-down) Headrest Bracket | \$210 | E1028 |
| <i>Used In Addition To Removable Headrest Bracket.</i> | | |
| Medical Applications | | |
| <input type="checkbox"/> Small (9.75"W x 3"H) | \$230 | E0955 |
| <input type="checkbox"/> Large (11"W x 6"H) | \$230 | E0955 |
| <input type="checkbox"/> Removable Headrest Bracket ⁴ | \$210 | E1028 |
| Aftermarket Bracket | | |
| <input type="checkbox"/> Removable Bracket for Aftermarket Headrest | \$210 | E1028 |

NON-POWERED LEGRESTS

| Description | Price | HCPCS Code |
|---|--------------|------------|
| <input type="checkbox"/> Heavy Duty Drop-In Legrests⁵ | \$420 | |
| <input type="checkbox"/> 70° <input type="checkbox"/> 80° | | |
| <input type="checkbox"/> Angle Adjustable Footplates ⁶ | \$150 | K0040 |
| <i>Angle Adjustable Extension Length:</i> | | |
| <input type="checkbox"/> 12"-14.5" <input type="checkbox"/> 14.5" -18" <input type="checkbox"/> 17.5"-21" | | |
| <i>Angle Adjustable Footplate Size:</i> | | |
| <input type="checkbox"/> 4" x 6" <input type="checkbox"/> 5" x 6" <input type="checkbox"/> 5" x 8" | | |
| <input type="checkbox"/> 6" x 8" <input type="checkbox"/> 6" x 11" <input type="checkbox"/> 8" x 11" | | |
| <input type="checkbox"/> Swing-away Legrests⁵ | \$162 | |
| <i>300 lbs User Weight Capacity</i> | | |
| <input type="checkbox"/> Straight <input type="checkbox"/> Tapered | | |
| <input type="checkbox"/> 70° <input type="checkbox"/> 80° (Straight Only) | | |
| <input type="checkbox"/> Standard Extruded Footplates | No Charge | |
| <i>Standard Extruded Extensions:</i> | | |
| <input type="checkbox"/> 11"-13" <input type="checkbox"/> 13"-16.5" <input type="checkbox"/> 15.5"-19.5" <input type="checkbox"/> 18.5"-22.5" | | |
| <i>Standard Extruded Footplates:</i> | | |
| <input type="checkbox"/> 7.25" x 6" <input type="checkbox"/> 8.5" x 6" | | |
| <input type="checkbox"/> Angle-Adjustable Footplates ⁶ | \$150 | K0040 |
| <i>Angle Adjustable Extensions:</i> | | |
| <input type="checkbox"/> 11"-13" <input type="checkbox"/> 13"-16.5" <input type="checkbox"/> 15.5"-19.5" <input type="checkbox"/> 18.5"-22.5" | | |
| <i>Angle-Adjustable Footplates:</i> | | |
| <input type="checkbox"/> 4" x 6" <input type="checkbox"/> 5" x 6" <input type="checkbox"/> 5" x 8" | | |
| <input type="checkbox"/> 6" x 8" <input type="checkbox"/> 6" x 11" <input type="checkbox"/> 8" x 11" | | |
| <input type="checkbox"/> Multi-Axis Footplates ⁶ | \$495 | K0040 |
| <i>Multi-Axis Extensions:</i> | | |
| <input type="checkbox"/> 11"-16.5" <input type="checkbox"/> 15.5"-19.5" <input type="checkbox"/> 18.5"-22.5" | | |
| <i>Multi-Axis Footplates:</i> | | |
| <input type="checkbox"/> 4" x 6" <input type="checkbox"/> 5" x 6" <input type="checkbox"/> 5" x 8" | | |
| <input type="checkbox"/> 6" x 8" <input type="checkbox"/> 6" x 11" <input type="checkbox"/> 8" x 11" | | |
| <input type="checkbox"/> High Mount, Clamp-On Footrest | | |
| <i>300 lbs User Weight Capacity</i> | | |
| <input type="checkbox"/> Angle Adjustable | \$326 | K0040 |
| <input type="checkbox"/> Small, 4" x 7.75" <input type="checkbox"/> Large, 4.25" x 9.25" | | |
| <input type="checkbox"/> Multi-Axis | \$412 | K0040 |
| <input type="checkbox"/> Small, 4" x 7.75" <input type="checkbox"/> Large, 4.25" x 9.25" | | |

FOOTNOTES

1. Bariatric Arms must be used with Bariatric Armpads.
2. Not available with Waterfall Armpads.
3. TRU-Comfort Headrest is measured at the front of the pad.
4. i-Quantum selects Removable Headrest Bracket automatically when pad is chosen.
5. Extension Length is measured from the top of seatpan to the footplate.
6. Includes Heel Loops

NON-POWERED FRONT RIGGINGS (CONT'D)

NOTES:

| Description | Price | HCPCS Code |
|---|------------------------------------|------------------------------------|
| <input type="checkbox"/> Elevating Legrests ¹ | \$325 | E0990 |
| <i>300 lbs User Weight Capacity</i> | | |
| <input type="checkbox"/> Standard Footplates | | |
| <i>Standard Extruded Extension Length:</i> | | |
| <input type="checkbox"/> 11"-14" | <input type="checkbox"/> 14"-17" | <input type="checkbox"/> 17"-20" |
| <i>Standard Extruded Footplate Size:</i> | | |
| <input type="checkbox"/> 7.25" x 6" | <input type="checkbox"/> 8.5" x 6" | |
| <i>Calf Pad Adjustment:</i> | | |
| <input type="checkbox"/> 1 Hole | <input type="checkbox"/> 3 Hole | <input type="checkbox"/> 6 Hole |
| <input type="checkbox"/> Angle Adjustable Footplates ² | \$150 | K0040 |
| <i>Angle Adjustable Extension Length:</i> | | |
| <input type="checkbox"/> 12"-14.5" | <input type="checkbox"/> 14.5"-18" | <input type="checkbox"/> 17.5"-21" |
| <i>Angle Adjustable Footplate Size:</i> | | |
| <input type="checkbox"/> 4" x 6" | <input type="checkbox"/> 5" x 6" | <input type="checkbox"/> 5" x 8" |
| <input type="checkbox"/> 6" x 8" | <input type="checkbox"/> 6" x 11" | <input type="checkbox"/> 8" x 11" |
| <i>Calf Pad Adjustment:</i> | | |
| <input type="checkbox"/> 1 Hole | <input type="checkbox"/> 3 Hole | <input type="checkbox"/> 6 Hole |

FOOT RIGGING ACCESSORIES

| Description | Price | HCPCS Code |
|--|---------------------------------|------------|
| <input type="checkbox"/> Wheel Bumpers | \$25 | |
| <input type="checkbox"/> Heel Loops (pair) ² | \$38 | E0951 |
| <input type="checkbox"/> Gel Neoprene Footrest Sleeve (pair) ³ | \$65 | K0108 |
| <input type="checkbox"/> ELR/ALR Adductor Buttons (pair) | \$100 | K0108 |
| <input type="checkbox"/> POSAlinc Knee Adductor for Swing-Away Legrests (pair) | \$464 | K0108 |
| <input type="checkbox"/> POSAlinc Rail Mounted Knee Adductor (pair) | \$464 | K0108 |
| <input type="checkbox"/> Residual Limb Support | \$300 | E1020 |
| <input type="checkbox"/> Left | <input type="checkbox"/> Right | |
| <input type="checkbox"/> Ankle Huggers (pair) | \$126 | K0108 |
| <input type="checkbox"/> Small | <input type="checkbox"/> Medium | |
| <input type="checkbox"/> Shoe Holders (pair) | \$166 | K0108 |
| <input type="checkbox"/> Small | <input type="checkbox"/> Medium | |

SYNERGY® CUSHIONS

| Description | Price | HCPCS Code |
|---|-------|------------|
| <input type="checkbox"/> No Cushion Required | | |
| <i>Please refer to Synergy order forms for detailed pricing, sizes and codes.</i> | | |
| Spectrum® Visco Cushion <i>Skin Protection & Positioning</i> | | |
| <input type="checkbox"/> 20" x 18" | \$480 | E2607 |
| <input type="checkbox"/> 20" x 20" - 20" x 24" | \$530 | E2607 |
| <input type="checkbox"/> 22" x 16" - 24" x 24" | \$530 | E2608 |
| <input type="checkbox"/> 26" x 18" - 32" x 28" | \$580 | E2608 |

ACCESSORIES

| Description | Price | HCPCS Code |
|--|--------------------------------|------------|
| <input type="checkbox"/> Rear Basket ⁴ | \$103 | |
| <input type="checkbox"/> Cane/Crutch Holder ⁴ | \$98 | E2207 |
| <input type="checkbox"/> Cup Holder | \$17 | |
| <i>Side:</i> | | |
| <input type="checkbox"/> Left | <input type="checkbox"/> Right | |
| <input type="checkbox"/> Saddle Bag | \$28 | |
| <input type="checkbox"/> Flag Holder | \$17 | |
| <input type="checkbox"/> Quantum Backpack ⁵ | \$60 | |
| <input type="checkbox"/> Oxygen Holder | \$150 | E2208 |
| <input type="checkbox"/> Walker Holder ⁴ | \$92 | K0108 |

BATTERY OPTIONS

| Description | Price | HCPCS Code |
|--|---|------------|
| <input type="checkbox"/> Group 24, 70 Amp, Gel (Universal) | \$352 ea. | E2363 |
| <input type="checkbox"/> Group 24, 70 Amp, Gel (MK) | \$352 ea. | E2363 |
| <i>(For Standard 2 Battery System)</i> | | |
| <input type="checkbox"/> NF-22, 50-Amp Batteries | | |
| <input type="checkbox"/> Maintenance Free AGM | \$255 ea. | E2361 |
| <input type="checkbox"/> Maintenance Free Gel Cell | \$295 ea. | E2361 |
| <input type="checkbox"/> Maintenance Free Gel Cell (MK) | \$295 ea. | E2361 |
| <i>(For 4-Battery Extended Range System)</i> | | |
| <i>Installation:</i> | | |
| <input type="checkbox"/> Batteries Installed | <input type="checkbox"/> Do Not Install | |

FOOTNOTES

1. Extension Length is measured from the top of seatpan to the footplate.
2. Heel Loops are included with Multi-Axis and Angle Adjustable Footplates.
3. Only available with Swing-Away Legrests.
4. Includes mounting hardware.
5. Backpack may interfere w/ other rear accessories. Not available w/ contoured seating.