

Quantum® 6000Z HD Series
Group 3 Heavy Duty
Order Form
450 lbs. weight capacity



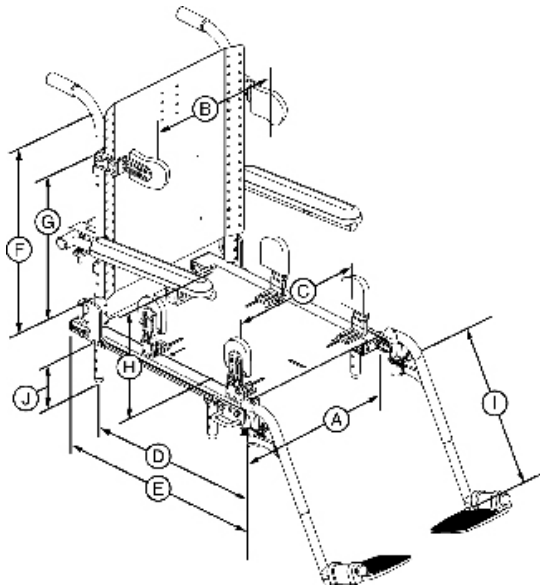
Account Number: _____
 Provider Name: _____
 Contact: _____
 Phone: _____
 Fax: _____

Date: _____
 PO#: _____
 Marked For: _____

Ship To: _____
 Address: _____
 City: _____ State: _____ Zip: _____

Discount: _____
 Terms: _____
 Freight: _____
 Taken By: _____

SET-TO-SPEC*



Please supply patient information for optimal setup prior to shipping.

Client Height: _____
 Client Weight: _____

- A. Seat Width: _____
- B. Lateral Offset: _____
- C. Hip/Thigh Lateral Offset: _____
- D. Center of Gravity: *Optimized based on seat dimensions*
- E. Seat Depth: _____
- F. Back Height from Pan: _____
- G. Lateral Height from Pan: _____
- H. Armrest Height from Pan: _____
- I. Rigging Length (whole numbers only): _____
- J. Seat to Floor Height (circle one): _____

Seating System	Low	Middle	Tall
Contoured Seating	21"	22"	23"
Synergy® Seat	16.625"	17.625"	18.625"

Seat to floor height are +/- 1/8" with 18"W x 18"D with Flat-Free tires (add 3/8" for pneumatic tires). Increased widths may increase lowest seat to floor heights.

Clinician Notes: _____

* While every effort will be taken to ensure items will be preset to your specifications prior to shipping, variations in options may effect final settings.

DME providers are responsible for determining appropriate billing codes when submitting for insurance reimbursement.

HCPCS codes should not be considered as legal advice. All prices are MSRP.

BASE MODEL

Description	Price	HCPCS Code
<input type="checkbox"/> Quantum 6000Z HD 3HD-C	\$7,360	K0851
<input type="checkbox"/> Quantum 6000Z HD 3HD-SS	\$7,360	K0850
<input type="checkbox"/> Quantum 6000Z HD 3SPHD-C <i>An SP-C describes a base with an alternative drive device with a captain's seat</i>	\$7,560	K0859

COLOR

- Metallic Red
- Metallic Black
- Metallic Orange
- Metallic Blue
- Metallic Silver

DRIVE WHEELS

Description	Price
<input type="checkbox"/> 14" Flat-Free <i>Rim Color:</i> <input type="checkbox"/> Black <input type="checkbox"/> Silver	Standard
<input type="checkbox"/> 14" Pneumatic <i>Rim Color:</i> <input type="checkbox"/> Black <input type="checkbox"/> Silver	No Charge
<input type="checkbox"/> 4" Wide Flat Free, Knobby, Extended-Traction Tires ¹ (Available Thru SOF)	\$551

BASE MOUNTED FOOT PLATFORM

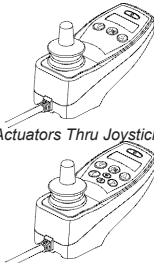
Description	Price
<input type="checkbox"/> No Base Mounted Front Platform	No Charge
<input type="checkbox"/> Base Mounted Foot Platform	Standard

BATTERY CHARGER

Description	Price
<input type="checkbox"/> 8 Amp, Off-board Charger	Standard

NON-EXPANDABLE CONTROLS

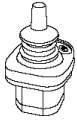
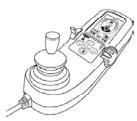
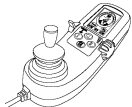
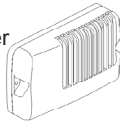
Description	Price
<input type="checkbox"/> 75 Amp NE	Standard
<input type="checkbox"/> 75 Amp NE+ 6-Key For Up To 2 Actuators Thru Joystick <i>Standard on 3SP-C Package</i>	\$200



EXPANDABLE CONTROLS

Q-Logic EX Joystick or Enhanced Display must be ordered with a Q-Logic EX Controller and Harness For Expandable Controls

Description	Price	HCPCS Code
<input type="checkbox"/> 100 Amp Q-Logic EX Controller	\$695	E2377
<input type="checkbox"/> Harness For Expandable Controller	\$350	E2313
<input type="checkbox"/> Q-Logic EX Joystick	\$700	
<input type="checkbox"/> Q-Logic EX Joystick for Lights <i>Required For LED Light Package</i>	\$700	
<input type="checkbox"/> Q-Logic EX Standalone Joystick	\$700	E2373
<input type="checkbox"/> Q-Logic EX Enhanced Display ² <i>w/ Bluetooth Mouse & IR Capability (KITASMB1678)</i> Includes: - Q-Logic EX Enhanced Display - Flexible Gooseneck - Enhanced Display Mounting Bracket	\$1,884.93	



PROGRAMMING

Description	Price
<input type="checkbox"/> Q-Logic Handheld Programmer	\$545
<input type="checkbox"/> Q-Logic PC Programming Cable with Disk	\$750



JOYSTICK HANDLES

Description	Price	HCPCS Code
<input type="checkbox"/> Standard Knob	Standard	
<input type="checkbox"/> Mushroom Handle	\$71	E2323
<input type="checkbox"/> T-Bar	\$107	E2323
<input type="checkbox"/> Chin Cup	\$71	E2324 ³
<input type="checkbox"/> Extended I-Handle	\$71	E2323
<input type="checkbox"/> Soft Ball Handle	\$50	E2323
<input type="checkbox"/> Medium Ball Handle	\$50	E2323
<input type="checkbox"/> Bodypoint 3" Goal Post Handle	\$66	E2323
<input type="checkbox"/> Bodypoint 4" Goal Post Handle	\$66	E2323

JOYSTICK MOUNTING BRACKETS

Description	Price	HCPCS Code
<input type="checkbox"/> Fixed Inline ⁴ <input type="checkbox"/> Left <input type="checkbox"/> Right	Standard	
<input type="checkbox"/> Swing-away <input type="checkbox"/> Left <input type="checkbox"/> Right <input type="checkbox"/> Inline <input type="checkbox"/> Offset <input type="checkbox"/> 4" Ext. <input type="checkbox"/> 7" Ext.	\$210	E1028
<input type="checkbox"/> Multi-axis Fixed <input type="checkbox"/> Left <input type="checkbox"/> Right	\$100	K0108

CONTOURED SEATING

Medium Back:

- Med-Back No Charge
- Med-Back with Solid Seat Pan⁵ No Charge

Seat Width:

- 16" 18"

Seat Depth:

- 16" 18"

Upholstery:

- Brown Vinyl Beige Vinyl Gray Vinyl
- Black Vinyl Gray Fabric Brown Fabric

High Back:

- Limited Recline High-Back with Headrest No Charge
- Limited Recline High-Back with Headrest & Solid Seat Pan⁵ No Charge

Seat Width⁶:

- 16" 18" 20" 22" 24"

Seat Depth:

- 16" 18" 20" 22" 24"

Upholstery:

- Beige Vinyl Gray Vinyl Black Vinyl
- Gray Fabric Brown Fabric

FOOTNOTES

- Increases overall base width by 1.5".
- All mounting hardware is included in kit. See Specialty Electronics order form for additional mounting options and secondary controls. Bluetooth mouse emulator requires a run plug harness for either static or power seating. Additional fees will apply.
- Use code E2323 when not used in conjunction with a chin control.
- Not available with Q-logic EX Stand Alone Joystick.
- Includes black vinyl seat pan. Back available in listed colors.
- Seat widths 22" or greater can not be limited recline. Seat will have pinchless hinge.

CONTOURED SEATING (Cont'd)

Description	Price	HCPCS Code
Armrests:		
<input type="checkbox"/> Flip-Up, Removable	No Charge	
<input type="checkbox"/> Flip-Up, Height-Adjustable, Removable	\$170	E0973
Armpads:		
Left: <input type="checkbox"/> Full Length <input type="checkbox"/> Desk Length		
Right: <input type="checkbox"/> Full Length <input type="checkbox"/> Desk Length		

MANUAL RECLINER

Description	Price	HCPCS Code
<input type="checkbox"/> Manual Recliner High Back with Headrest	\$600	E1226
<input type="checkbox"/> Manual Recliner High Back with Headrest and Solid Seat Pan ¹	\$600	E1226
Upholstery:		
<input type="checkbox"/> Beige Vinyl <input type="checkbox"/> Gray Vinyl		
Seat Width:		
<input type="checkbox"/> 16" <input type="checkbox"/> 18" <input type="checkbox"/> 20"		
Seat Depth:		
<input type="checkbox"/> 16" <input type="checkbox"/> 18" <input type="checkbox"/> 20"		
Armpads:		
Left: <input type="checkbox"/> Full Length <input type="checkbox"/> Desk Length		
Right: <input type="checkbox"/> Full Length <input type="checkbox"/> Desk Length		

SYNERGY® SEATING SYSTEMS

Description	Price	HCPCS Code
<input type="checkbox"/> Synergy Seating Frame	\$434	
Seat Width:		
<input type="checkbox"/> 10" <input type="checkbox"/> 11" <input type="checkbox"/> 12" <input type="checkbox"/> 13" <input type="checkbox"/> 14"		
<input type="checkbox"/> 15" <input type="checkbox"/> 16" <input type="checkbox"/> 17" <input type="checkbox"/> 18" <input type="checkbox"/> 19"		
<input type="checkbox"/> 20" <input type="checkbox"/> 22" <input type="checkbox"/> 24"		
Seat Width Package:		
<input type="checkbox"/> 10"W-14"W <input type="checkbox"/> 14"W-18"W <input type="checkbox"/> 16"W-20"W <input type="checkbox"/> 20"W-24"W		
Seat Depth:		
<input type="checkbox"/> 10" <input type="checkbox"/> 11" <input type="checkbox"/> 12" <input type="checkbox"/> 13" <input type="checkbox"/> 14"		
<input type="checkbox"/> 15" <input type="checkbox"/> 16" <input type="checkbox"/> 17" <input type="checkbox"/> 18" <input type="checkbox"/> 19"		
<input type="checkbox"/> 20" <input type="checkbox"/> 22" <input type="checkbox"/> 24"		
Seat Depth Package:		
<input type="checkbox"/> 10"D-14"D <input type="checkbox"/> 14"D-18"D <input type="checkbox"/> 16"D-20"D <input type="checkbox"/> 20"D-24"D		
Back Cane Height:		
<input type="checkbox"/> 14" <input type="checkbox"/> 15" <input type="checkbox"/> 16" <input type="checkbox"/> 17"		
<input type="checkbox"/> 18" <input type="checkbox"/> 19" <input type="checkbox"/> 20" <input type="checkbox"/> 21"		
<input type="checkbox"/> 22" <input type="checkbox"/> 23" <input type="checkbox"/> 24" <input type="checkbox"/> 25"		
Back Rest Height:		
<input type="checkbox"/> 18" <input type="checkbox"/> 19" <input type="checkbox"/> 20" <input type="checkbox"/> 21"		
<input type="checkbox"/> 22" <input type="checkbox"/> 23" <input type="checkbox"/> 24" <input type="checkbox"/> 25"		

SYNERGY® BACK OPTIONS

Description	Price	HCPCS Code
<input type="checkbox"/> Standard Back with 1.5" Thick Back Cushion	\$275	
<i>Choose Lateral Extension:</i>		
<input type="checkbox"/> 10" (For Back Heights 18")	\$25	
<input type="checkbox"/> 12" (For Back Heights 19"-22")	\$25	
<input type="checkbox"/> 16" (For Back Heights 23"-25")	\$25	
<input type="checkbox"/> Synergy Shape Back Positioning Back	Various	E2613/E2614
<i>See Synergy Shape Back Order Form For Detailed Pricing, Sizes and Codes</i>		
<input type="checkbox"/> Sling Back	\$98	
<input type="checkbox"/> Omit Back	No Charge	

SYNERGY® BACK CANE OPTIONS

Description	Price	HCPCS Code
<input type="checkbox"/> Standard Back Canes With Push Handles	Standard	
<input type="checkbox"/> Standard Back Canes, No Push Handles	\$125	
<input type="checkbox"/> Offset (Meso) ²	\$195	
<input type="checkbox"/> 2" (1" Per Side) <input type="checkbox"/> 4" (2" Per Side)		
<input type="checkbox"/> Inset (Endo) ²	\$195	
<input type="checkbox"/> 2" (1" Per Side) <input type="checkbox"/> 4" (2" Per Side)		

TRU-COMFORT™ SEATING

Description	Price	HCPCS Code
<i>Please refer to TRU-Comfort Cushion and TRU-Comfort Back order forms for detailed pricing, sizes and codes.</i>		
TRU-Comfort™ Back Cushion		
<input type="checkbox"/> 16"W <input type="checkbox"/> 18" W <input type="checkbox"/> 20"W	\$595	E2620
<input type="checkbox"/> 22"W	\$695	E2621
Back Height:³		
<input type="checkbox"/> 22" H <input type="checkbox"/> 25" H	No Charge	
Cover:		
<input type="checkbox"/> Standard Allure leather-like cover	No Charge	
<input type="checkbox"/> Plus 4-way stretch material cover	No Charge	
TRU-Comfort™ Seat Cushion⁴ General Use		
<i>Includes Allure leather-like cover</i>		
<input type="checkbox"/> 16" x 16" - 20" x 18"	\$380	E2601
<input type="checkbox"/> 20" x 20" - 20" x 22"	\$380	E2601
<input type="checkbox"/> 22" x 16" - 22" x 24"	\$480	E2602
TRU-Comfort™ Plus Seat Cushion⁴ Skin Protection		
<i>Includes 4-way stretch material cover</i>		
<input type="checkbox"/> 16" x 16" - 20" x 18"	\$380	E2603
<input type="checkbox"/> 20" x 20" - 20" x 22"	\$380	E2603
<input type="checkbox"/> 22" x 16" - 22" x 24"	\$480	E2604

ARMRESTS

Description	Price	HCPCS Code
<input type="checkbox"/> Flip-back, Cane Mounted ⁵	No Charge	
<input type="checkbox"/> 2-post, Flip-back, Height-adjustable, Removable ^{5,6}	\$300	E0973
<input type="checkbox"/> Single-post, Height-adjustable, Removable ⁷	\$150	E0973
<input type="checkbox"/> Quad Release Lever		
<input type="checkbox"/> Bariatric, Removable Height, Adjustable ⁸	\$150	E0973
<input type="checkbox"/> 8"H - 12"H <input type="checkbox"/> 10"H-14"H		
<input type="checkbox"/> Removable, Single-post, Height Adjustable, Heavy Duty	\$150	E0973
<input type="checkbox"/> 8"H - 12"H <input type="checkbox"/> 10"H-14"H		
<input type="checkbox"/> Height Adjustable Cantilever Armrests ⁹	\$195	K0020
<i>Angle-Adjustable: - 30° through + 30°</i>		

ARMPADS

Description	Price
<input type="checkbox"/> Straight, Full Length (2"x14")	Standard
<input type="checkbox"/> Left <input type="checkbox"/> Right	
<input type="checkbox"/> Straight, Desk Length (2"x10")	No Charge
<input type="checkbox"/> Left <input type="checkbox"/> Right	
<input type="checkbox"/> Waterfall, Full Length (2"x14")	No Charge
<input type="checkbox"/> Left <input type="checkbox"/> Right	
<input type="checkbox"/> Waterfall, Desk Length (2"x14")	No Charge
<input type="checkbox"/> Left <input type="checkbox"/> Right	
<input type="checkbox"/> Falcon Gel, Full Length, (3.5"x14")	\$150 pr.
<input type="checkbox"/> Left <input type="checkbox"/> Right	
<input type="checkbox"/> Falcon Gel, Desk Length, (3.5"x10")	\$115 pr.
<input type="checkbox"/> Left <input type="checkbox"/> Right	
<input type="checkbox"/> Flat Bariatric ⁸	No Charge
<input type="checkbox"/> Left <input type="checkbox"/> Right	

FOOTNOTES

- Includes black vinyl seat pan. Back available in listed colors.
- Dual Post Flip-back Armrests interfere with Meso canes.
- TRU-Comfort™ Back Height is measured from the top of a 3" cushion
- 350lbs Weight Capacity.
- Interferes with swing-away laterals.
- Interferes with swing-away laterals. Height adjustable from 9"-13" in 1" increments.
- Height adjustable from 11"-17" in 1/2" increments
- Bariatric Arms and Bariatric Armpads must be used together
- Height adjustment from 11-17" depends on cane height. Not available with Cane Clamp Pushbar, & Shape Back. Call for details when selecting aftermarket arm troughs or Universal Swivel.

JOYSTICK MOUNTING BLOCKS

Description	Price	HCPCS Code
<input type="checkbox"/> Quick Disconnect ¹	No Charge	
<input type="checkbox"/> Vertical Adjustment Clamp	\$95	K0108
<input type="checkbox"/> Figure 8 style (For use with waterfall armpads)	No Charge	

LED LIGHTING PACKAGE

Description	Price
<input type="checkbox"/> Through Q-Logic EX with Lights	\$995

HEADRESTS

Description	Price	HCPCS Code
<input type="checkbox"/> No Headrest Required		
TRU-Comfort™ Headrest²		
<input type="checkbox"/> 8" W Leatherette	\$205	E0955
<input type="checkbox"/> 8" W TRU-Comfort Plus	\$205	E0955
<input type="checkbox"/> 10" W Leatherette	\$205	E0955
<input type="checkbox"/> 10" W TRU-Comfort Plus	\$205	E0955
<input type="checkbox"/> Removable Headrest Bracket ³	\$210	E1028
Stealth		
<input type="checkbox"/> Small (9.75"W x 3"H)	\$205	E0955
<input type="checkbox"/> Large (11"W x 6"H)	\$205	E0955
<input type="checkbox"/> Small Comfort Plus (10"W)	\$205	E0955
<input type="checkbox"/> Large Comfort Plus (14"W)	\$205	E0955
<input type="checkbox"/> Removable Headrest Bracket ³	\$210	E1028
<input type="checkbox"/> Swing-away (Flip-down) Headrest Bracket <i>Used in Addition to Removable Headrest Bracket</i>	\$210	E1028
Medical Applications		
<input type="checkbox"/> Small (9.75"W x 3"H)	\$230	E0955
<input type="checkbox"/> Large (11"W x 6"H)	\$230	E0955
<input type="checkbox"/> Removable Headrest Bracket ³	\$210	E1028
Aftermarket Bracket		
<input type="checkbox"/> Removable Bracket for Aftermarket Headrest	\$210	E1028

NON-POWERED LEGRESTS

Description	Price	HCPCS Code
<input type="checkbox"/> 70° Swing-away Legrests⁴	\$162	
<input type="checkbox"/> Standard Extruded Footplates <i>Standard Extruded Extensions:</i> <input type="checkbox"/> 11"-13" <input type="checkbox"/> 13"-16.5" <input type="checkbox"/> 15.5"-19.5" <i>Standard Extruded Footplates:</i> <input type="checkbox"/> 7.25" x 6" <input type="checkbox"/> 8.5" x 6"	No Charge	
<input type="checkbox"/> Angle-Adjustable Footplates ⁵ <i>Angle Adjustable Extensions:</i> <input type="checkbox"/> 11"-13" <input type="checkbox"/> 13"-16.5" <input type="checkbox"/> 15.5"-19.5" <i>Angle-Adjustable Footplates:</i> <input type="checkbox"/> 4" x 6" <input type="checkbox"/> 5" x 6" <input type="checkbox"/> 5" x 8" <input type="checkbox"/> 6" x 8" ⁶ <input type="checkbox"/> 6" x 11" ⁶ <input type="checkbox"/> 8" x 11" ⁷	\$150	K0040
<input type="checkbox"/> Multi-Axis Footplates ⁵ <i>Multi-Axis Extensions:</i> <input type="checkbox"/> 11"-16.5" <input type="checkbox"/> 15.5"-19.5" <i>Multi-Axis Footplates:</i> <input type="checkbox"/> 4" x 6" <input type="checkbox"/> 5" x 6" <input type="checkbox"/> 5" x 8" <input type="checkbox"/> 6" x 8" ⁶ <input type="checkbox"/> 6" x 11" ⁶ <input type="checkbox"/> 8" x 11" ⁷	\$495	K0040
<input type="checkbox"/> High Mount, Clamp-On Footrest		
<input type="checkbox"/> Angle Adjustable	\$326	K0040
<input type="checkbox"/> Small, 4" x 7.75" <input type="checkbox"/> Large, 4.25" x 9.25"		
<input type="checkbox"/> Multi-Axis	\$412	K0040
<input type="checkbox"/> Small, 4" x 7.75" <input type="checkbox"/> Large, 4.25" x 9.25"		
<input type="checkbox"/> Heavy Duty Drop-In Legrests^{4,8}	\$420	
<input type="checkbox"/> Angle Adjustable Footplates ⁵ <i>Angle Adjustable Extension Length:</i> <input type="checkbox"/> 12"-14.5" <input type="checkbox"/> 14.5" -18" <i>Angle Adjustable Footplate Size:</i> <input type="checkbox"/> 4" x 6" <input type="checkbox"/> 5" x 6" <input type="checkbox"/> 5" x 8" <input type="checkbox"/> 6" x 8" ⁶ <input type="checkbox"/> 6" x 11" ⁶ <input type="checkbox"/> 8" x 11" ⁷	\$150	K0040

NON-POWERED LEGRESTS (CONT'D)

Description	Price	HCPCS Code
<input type="checkbox"/> Elevating Legrests⁴	\$325	E0990
<input type="checkbox"/> Standard Footplates <i>Standard Extruded Extension Length:</i> <input type="checkbox"/> 11"-14" <input type="checkbox"/> 14"-17" <i>Standard Extruded Footplate Size:</i> <input type="checkbox"/> 7.25" x 6" <input type="checkbox"/> 8.5" x 6"		
<input type="checkbox"/> Angle Adjustable Footplates ⁵ <i>Angle Adjustable Extension Length:</i> <input type="checkbox"/> 12"-14.5" <input type="checkbox"/> 14.5" -18" <i>Angle Adjustable Footplate Size:</i> <input type="checkbox"/> 4" x 6" <input type="checkbox"/> 5" x 6" <input type="checkbox"/> 5" x 8" <input type="checkbox"/> 6" x 8" ⁶ <input type="checkbox"/> 6" x 11" ⁶ <input type="checkbox"/> 8" x 11" ⁷	\$150	K0040
<input type="checkbox"/> Calf Pad Adjustment <input type="checkbox"/> 1 Hole <input type="checkbox"/> 3 Hole <input type="checkbox"/> 6 Hole		

HIGH MOUNT FOOT PLATFORM

Description	Price	HCPCS Code
<input type="checkbox"/> High Mount Foot Platform ⁸ <input type="checkbox"/> 10"-14" Ext. ⁴ <input type="checkbox"/> 14"-17" Ext. ⁴	\$450	K0108

ELECTRONICS FOR POWER OPTIONS

Description	Price	HCPCS Code
<i>This Option Is Automatically Selected In i-Quantum</i>		
<input type="checkbox"/> Single Actuator Through Joystick (AFP Only)	\$1,175	E2310
<input type="checkbox"/> Dual Actuator Through NE+ 6-Key (Power Legrests)	\$2,375	E2311
<input type="checkbox"/> Multiple Actuator Through Q-Logic EX (Power Legrests)	\$2,375	E2311

POWER ELEVATING LEGRESTS 300lbs Wt. Cap. SOF Required

Description	Price	HCPCS Code
<input type="checkbox"/> 70° Articulating Swing-Away Legrests, 4" Articulation Range^{8,9}	\$2,395	E1010
<input type="checkbox"/> Quad Release Lever		
<i>Calf Pads⁷:</i> <input type="checkbox"/> 6" x 5.35" <input type="checkbox"/> 8" x 5.86"		
<i>Angle Adjustable Extension Length:</i> <input type="checkbox"/> 11"-13" <input type="checkbox"/> 14.5"-18"		
<i>Angle Adjustable Footplate Size:</i> <input type="checkbox"/> 4" x 6" <input type="checkbox"/> 5" x 6" <input type="checkbox"/> 5" x 8" <input type="checkbox"/> 6" x 8" ⁶ <input type="checkbox"/> 6" x 11" ⁶ <input type="checkbox"/> 8" x 11" ⁷		
<i>Operational Method:</i> <input type="checkbox"/> Independent <input type="checkbox"/> Combined		
<input type="checkbox"/> 70° Articulating Drop-In Legrests^{8,9}	\$2,395	E1010
<input type="checkbox"/> 4" Range <input type="checkbox"/> 6" Range		
<i>Calf Pads⁷:</i> <input type="checkbox"/> 6" x 5.35" <input type="checkbox"/> 8" x 5.86"		
<i>Angle Adjustable Extension Length:</i> <input type="checkbox"/> 12"-14.5" <input type="checkbox"/> 14.5"-18"		
<i>Angle Adjustable Footplate Size:</i> <input type="checkbox"/> 4" x 6" <input type="checkbox"/> 5" x 6" <input type="checkbox"/> 5" x 8" <input type="checkbox"/> 6" x 8" ⁶ <input type="checkbox"/> 6" x 11" ⁶ <input type="checkbox"/> 8" x 11" ⁷		
<i>Operational Method:</i> <input type="checkbox"/> Independent <input type="checkbox"/> Combined		

FOOTNOTES

- Not available with waterfall armpads.
- TRU-Comfort™ Headrests are measured at the front of the pad
- When headrest pad is chosen i-Quantum automatically selects Removable Headrest Bracket
- Extensions measured from top of seatpan to footplate.
- Standard with Heel Loops.
- Only available on seats 18"W or wider.
- Only available on seats 20"W or wider.
- Available only on a Synergy seat.
- Power ALR's come standard with Angle Adjustable Footplates with Heel Loops and Wheel Bumpers.

FOOT RIGGING ACCESSORIES

Description	Price	HCPCS Code
<input type="checkbox"/> Wheel Bumpers ¹	\$25	
<input type="checkbox"/> Heel Loops (pair) ^{1,2}	\$38	E0951
<input type="checkbox"/> Gel Neoprene Footrest Sleeve (pair) ³	\$65	K0108
<input type="checkbox"/> ELR/ALR Adductor Buttons (pair)	\$100	K0108
<input type="checkbox"/> POSAlinc Knee Adductor for Swing-Away Legrests (pair)	\$464	K0108
<input type="checkbox"/> POSAlinc Rail Mounted Knee Adductor (pair)	\$464	K0108
<input type="checkbox"/> Residual Limb Support	\$300	E1020
<input type="checkbox"/> Ankle Huggers (pair)	\$126	K0108
<input type="checkbox"/> Left <input type="checkbox"/> Right		
<input type="checkbox"/> Small <input type="checkbox"/> Medium		

SYNERGY® CUSHIONS

Description	Price	HCPCS Code
<input type="checkbox"/> No Cushion Required		
<i>Please refer to Synergy order forms for detailed pricing, sizes and codes.</i>		
Simplicity Cushion⁴ <i>General Use</i>		
<input type="checkbox"/> 16" x 16" - 20" x 20"	\$98	E2601
<input type="checkbox"/> 22" x 16" - 24" x 24"	\$98	E2602
Solution⁴ 1 Cushion⁴ <i>Skin Protection</i>		
<input type="checkbox"/> 14" x 14" - 20" x 18"	\$380	E2603
<input type="checkbox"/> 20" x 20" - 20" x 24"	\$430	E2603
<input type="checkbox"/> 22" x 16" - 24" x 24"	\$430	E2604
Solution⁴ Cushion⁴ <i>Skin Protection & Positioning</i>		
<input type="checkbox"/> 10" x 10" - 20" x 18"	\$380	E2607
<input type="checkbox"/> 20" x 20" - 20" x 24"	\$430	E2607
<input type="checkbox"/> 22" x 16" - 24" x 24"	\$430	E2608
Spectrum⁴ Gel Cushion⁴ <i>Positioning</i>		
<input type="checkbox"/> 12" x 10" - 20" x 19"	\$480	E2605
<input type="checkbox"/> 20" x 20" - 20" x 24"	\$530	E2605
<input type="checkbox"/> 22" x 16" - 24" x 24"	\$530	E2606
Spectrum⁴ Visco Cushion⁵ <i>Skin Protection & Positioning</i>		
<input type="checkbox"/> 10" x 10" - 20" x 18"	\$480	E2607
<input type="checkbox"/> 20" x 20" - 20" x 24"	\$530	E2607
<input type="checkbox"/> 22" x 16" - 24" x 24"	\$530	E2608
Spectrum⁴ Air⁴ <i>Adjustable Skin Protection</i>		
<input type="checkbox"/> 14" x 12" - 20" x 24"	\$480	E2622
<input type="checkbox"/> 22" x 16" - 24" x 24"	\$530	E2623
Spectrum⁴ Air Contour⁴ <i>Adjustable Skin Protection & Positioning</i>		
<input type="checkbox"/> 14" x 12" - 20" x 24"	\$499	E2624
<input type="checkbox"/> 22" x 16" - 24" x 24"	\$549	E2625

LATERALS

Description	Price	HCPCS Code
<input type="checkbox"/> Stealth Thoracic Laterals (pair)		
<i>Bracket:</i>		
<input type="checkbox"/> 125° Swing-Away Bracket ⁶ <i>(For Use with TRU-Comfort)</i>	\$450	E1028
<input type="checkbox"/> Swing-Away, Rail Mount Bracket ¹ <i>(For Use with Standard Back)</i>	\$450	E1028
<i>Pad:</i>		
<input type="checkbox"/> Flat Pad, 3" x 5", Leather-Like Cover	\$200	E0956
<input type="checkbox"/> Flat Pad, 4" x 6", Leather-Like Cover	\$200	E0956
<input type="checkbox"/> Curved Pad, 2" x 3", 4-Way Stretch Cover	\$200	E0956
<input type="checkbox"/> Curved Pad, 3" x 5", 4-Way Stretch Cover	\$200	E0956
<input type="checkbox"/> Curved Pad, 4" x 6", 4-Way Stretch Cover	\$200	E0956
<input type="checkbox"/> Stealth Pelvic/Thigh Laterals		
<i>Side:</i>		
<input type="checkbox"/> Left Side <input type="checkbox"/> Right Side		
<i>Bracket:</i>		
<input type="checkbox"/> Removable Bracket (ea.)	\$250	E1028
<input type="checkbox"/> Flip Down Bracket (ea.)	\$225	E1028
<i>Pad:</i>		
<input type="checkbox"/> Short Pad, 4" x 4" (ea.)	\$90	E0956
<input type="checkbox"/> Medium Pad, 4" x 8" (ea.)	\$90	E0956
<input type="checkbox"/> Long Pad, 4" x 12" (ea.)	\$90	E0956

MISCELLANEOUS POSITIONING COMPONENTS

Description	Price	HCPCS Code
<input type="checkbox"/> Therafin Flip-down Knee Abductor Bracket ⁷	\$190	E1028
<i>Pad:</i>		
<input type="checkbox"/> Small <input type="checkbox"/> Medium <input type="checkbox"/> Large	\$125	E0957
<input type="checkbox"/> Stealth Shoe Boxes (pair)	\$475	K0108
<input type="checkbox"/> Small <input type="checkbox"/> Medium <input type="checkbox"/> Large		
<input type="checkbox"/> Stealth Padded Shoe Holders (pair)	\$166	K0108
<input type="checkbox"/> Small <input type="checkbox"/> Medium <input type="checkbox"/> X-Large		
<input type="checkbox"/> Otto Bock Arm Channels (ea.)	\$102	E2209
<i>Side:</i>		
<input type="checkbox"/> Left <input type="checkbox"/> Right		
<i>Size:</i>		
<input type="checkbox"/> Small <input type="checkbox"/> Medium <input type="checkbox"/> Large		
<input type="checkbox"/> Otto Bock Flat Hand Pad (ea.)	\$51	
<i>Side:</i>		
<input type="checkbox"/> Left <input type="checkbox"/> Right		
<i>Size:</i>		
<input type="checkbox"/> Medium <input type="checkbox"/> Large		

Please see positioning components order form for additional types, sizes and details.

ACCESSORIES

Description	Price	HCPCS Code
<input type="checkbox"/> Rear Basket ⁸	\$103	
<input type="checkbox"/> Cane/Crutch Holder ⁸	\$98	E2207
<input type="checkbox"/> Weather Cover, Medium, Black	\$158	
<input type="checkbox"/> Cup Holder	\$17	
<i>Side:</i>		
<input type="checkbox"/> Left <input type="checkbox"/> Right		
<input type="checkbox"/> Saddle Bag	\$28	
<input type="checkbox"/> Flag Holder	\$17	
<input type="checkbox"/> Quantum Backpack ⁹	\$60	
<input type="checkbox"/> Oxygen Holder <i>Contoured Seating⁸</i>	\$103	E2208
<input type="checkbox"/> Oxygen Holder <i>Synergy Seat¹⁰</i>	\$150	E2208
<input type="checkbox"/> Walker Holder ⁸	\$92	K0108
<input type="checkbox"/> Stroller Handle <i>Manual Tilt Only</i>	\$85	

LAP BELTS

Description	Price
<input type="checkbox"/> 38" Lap Belt ¹¹	Standard
<input type="checkbox"/> 50" Lap Belt ¹¹	Standard
<input type="checkbox"/> 60" Lap Belt	Standard
<input type="checkbox"/> 70" Lap Belt	Standard
<input type="checkbox"/> 80" Lap Belt	Standard
<input type="checkbox"/> 90" Lap Belt	Standard
<input type="checkbox"/> Pelvic Positioning Belt, 2-Point Padded, Lg, 13"-19" Hip Width	\$91
<input type="checkbox"/> Pelvic Positioning Belt, 4-Point Padded, Lg, 13"-19" Hip Width	\$116

BATTERY OPTIONS

Description	Price	HCPCS Code
<input type="checkbox"/> Group 24, 70 Amp, Gel (<i>Universal</i>)	\$352 ea.	E2363
<input type="checkbox"/> Group 24, 70 Amp, Gel (<i>MK</i>)	\$352 ea.	E2363
<input type="checkbox"/> Group 34, 60-Amp Gel	\$330 ea.	K0108
<input type="checkbox"/> NF-22, 50-Amp Batteries		
<input type="checkbox"/> Maintenance Free AGM	\$255 ea.	E2361
<input type="checkbox"/> Maintenance Free Gel Cell	\$295 ea.	E2361
<input type="checkbox"/> Maintenance Free Gel Cell (<i>MK</i>)	\$295 ea.	E2361
<i>Installation:</i>		
<input type="checkbox"/> Batteries Installed <input type="checkbox"/> Do Not Install		

FOOTNOTES

- Standard on Power ALR's.
- Standard with angle adjustable and multi-axis footplates.
- Available only with swing-away legrests.
- 350 lbs weight capacity.
- 650 lbs weight capacity.
- Swing-away laterals interfere with flip-back armrests.
- Not available with Highmount Foot Platform.
- Includes mounting hardware. Not available with Manual Recliner.
- Backpack may interfere w/ other rear accessories. Not available w/ contoured seating.
- Not available with Synergy manual recline, includes mounting hardware.
- Not available with Manual Recliner High Back.