

Quantum® 600 Series
Group 3 Single Power & Multiple Power
Order Form



Account Number: _____
 Provider Name: _____
 Contact: _____
 Phone: _____
 Fax: _____
 Date: _____
 PO#: _____
 Marked For: _____
 Ship To: _____
 Address: _____
 City: _____ State: _____ Zip: _____
 Discount: _____
 Terms: _____
 Freight: _____
 Taken By: _____

SET-TO-SPEC®

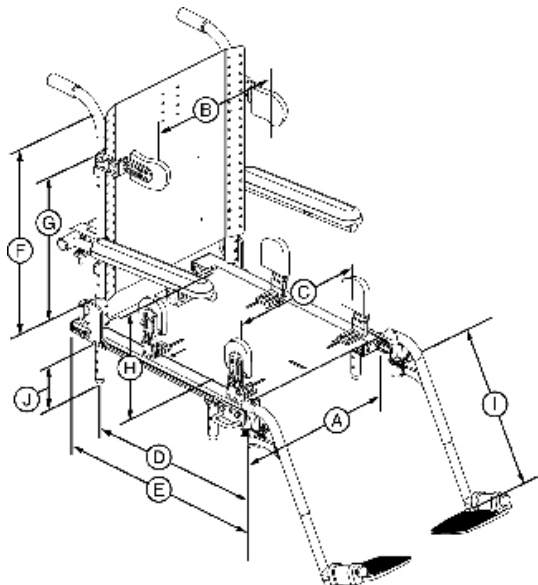
Please supply patient information for optimal setup prior to shipping.

Client Height: _____
 Client Weight: _____

- A. Seat Width: _____
- B. Lateral Offset: _____
- C. Hip/Thigh Lateral Offset: _____
- D. Center of Gravity: *Optimized based on seat dimensions*
- E. Seat Depth: _____
- F. Back Height from Pan: _____
- G. Lateral Height from Pan: _____
- H. Armrest Height from Pan: _____
- I. Rigging Length (whole numbers only): _____
- J. Seat to Floor Height (circle one): _____

Seating System	Seat-To-Floor Heights			
	18.125"	19.125"	20.125"	21.125"
TRU-Balance® Tilt or Tilt & Recline	18.125"	19.125"	20.125"	21.125"
TRU-Balance® Recline	17"	18"	19"	
TRU-Balance® Lift	19.25"	20.125"	21"	21.875"

*Seat to floor height are +/- 1/8" with 18"W x 18"D with Flat-Free tires (add 3/8" for pneumatic tires).
 Increased widths may increase lowest seat to floor heights.*



Clinician Notes: _____

** While every effort will be taken to ensure items will be preset to your specifications prior to shipping, variations in options may effect final settings.*

DME providers are responsible for determining appropriate billing codes when submitting for insurance reimbursement. HCPCS codes should not be considered as legal advice. All prices are MSRP.

Options with a circular checkbox (○) are NOT available through Quantum West.

BASE MODEL		
Description	Price	HCPCS Code
<input type="checkbox"/> Quantum 600 3SP-SS	\$6,321	K0856
<input type="checkbox"/> Quantum 600 3MP-SS	\$6,121	K0861

COLORS	
Metallic Colors:	Solid Colors:
<input type="checkbox"/> Champagne	<input type="checkbox"/> Mariner Blue
<input type="checkbox"/> Candy Apple Red	<input type="checkbox"/> Cardinal Red
<input type="checkbox"/> Viper Blue	<input type="checkbox"/> Spring Green
<input type="checkbox"/> Onyx Black	<input type="checkbox"/> SolarYellow
<input type="checkbox"/> Sunburst Orange	<input type="checkbox"/> Violet
<input type="checkbox"/> Pearl Pink	<input type="checkbox"/> Kelly Green
<input type="checkbox"/> Pewter	<input type="checkbox"/> Tangerine
<input type="checkbox"/> Silver	
<input type="checkbox"/> Emerald Green	
<input type="checkbox"/> Graphite Blue	
<input type="checkbox"/> Sapphire Blue	

MOTOR OPTIONS		
Description	Price	HCPCS Code
<input type="checkbox"/> Standard Motor Package	Standard	
<input type="checkbox"/> High Speed Motor Package	\$1,574	
<i>Programmable Speed Up To 6 MPH, 300 lbs. Weight Capacity. HS Motors decrease per-charge range.</i>		
<input type="checkbox"/> Accu-Trac Motor Technology ¹	\$1,295	K0108
<i>Delivers Enhanced Traction and Tracking Especially With Switched Drive Controls</i>		
<input type="checkbox"/> Community Use Package ²	\$2,125	
<u>Package Includes:</u>		
- 300 lbs. Weight Capacity		
- 4-Pole High Speed Motor Package		
- 4" Wide Flat Free or Pneumatic Knobby, Extended Traction Tires		

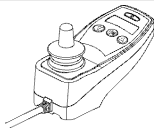
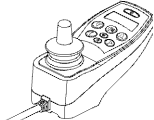
BASE MOUNTED FOOT PLATFORM	
Description	Price
<input type="checkbox"/> No Base Mounted Front Platform	No Charge
<input type="checkbox"/> Base Mounted Foot Platform	Standard

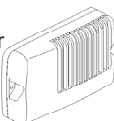
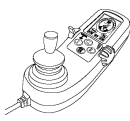
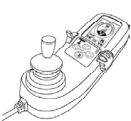
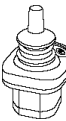

DRIVE WHEELS		
Description	Price	
<input type="checkbox"/> 14" Flat-Free	Standard	
<i>Rim Color:</i>	<input type="checkbox"/> Black	<input type="checkbox"/> Silver
<input type="checkbox"/> 14" Pneumatic	No Charge	
<i>Rim Color:</i>	<input type="checkbox"/> Black	<input type="checkbox"/> Silver
<input type="checkbox"/> 4" Wide Flat Free, Knobby, Extended-Traction Tires ²	\$551	
<input type="checkbox"/> 4" Wide Pneumatic, Knobby, Extended-Traction Tires ²	\$551	


BATTERY CHARGER	
Description	Price
<input type="checkbox"/> 8 Amp, Off-board Charger	Standard

LED LIGHT PACKAGE	
Description	Price
<input type="checkbox"/> Through Q-Logic EX with Lights	\$995

TRANSIT KIT	
Description	Price
<i>Refer to Page 6 for Details Regarding Occupied and Unoccupied Transit Kits</i>	
<input type="checkbox"/> Occupied Transit Kit	\$350
<input type="checkbox"/> Unoccupied Transit Kit ³	\$300

NON EXPANDABLE CONTROLS		
Description	Price	HCPCS Code
<input type="checkbox"/> 75 Amp NE	Standard	
		
<input type="checkbox"/> 75 Amp NE+ 6-Key For Up To 2 Actuators Thru Joystick	\$200	
		
	<i>Standard on 3SP-SS Package</i>	

EXPANDABLE CONTROLS		
Q-Logic EX Joystick or Enhanced Display must be ordered with a Q-Logic EX Controller and Harness For Expandable Controls		
Description	Price	HCPCS Code
<input type="checkbox"/> 100 Amp Q-Logic EX Controller	\$695	E2377
<input type="checkbox"/> Harness For Expandable Controller	\$350	E2313
		
<input type="checkbox"/> Q-Logic EX Joystick	\$700	
		
<input type="checkbox"/> Q-Logic EX Joystick for Lights	\$700	
<i>Required For LED Light Package</i>		
		
<input type="checkbox"/> Q-Logic EX Standalone Joystick	\$700	E2373
		
<input type="checkbox"/> Q-Logic EX Enhanced Display ⁴	\$1,884.93	
<i>w/ Bluetooth Mouse & IR Capability (KITASMB1678)</i>		
Includes:		
- Q-Logic EX Enhanced Display		
- Flexible Gooseneck		
- Enhanced Display Mounting Bracket		
		

PROGRAMMING	
Description	Price
<input type="checkbox"/> Q-Logic Handheld Programmer	\$545
	
<input type="checkbox"/> Q-Logic PC Programming Cable with Disk ⁵	\$750

JOYSTICK HANDLES		
Description	Price	HCPCS Code
<input type="checkbox"/> Standard Knob	Standard	
<input type="checkbox"/> Mushroom Handle	\$71	E2323
<input type="checkbox"/> T-Bar	\$107	E2323
<input type="checkbox"/> Chin Cup ⁶	\$71	E2324
<input type="checkbox"/> Extended I-Handle	\$71	E2323
<input type="checkbox"/> Soft Ball Handle	\$50	E2323
<input type="checkbox"/> Medium Ball Handle	\$50	E2323
<input type="checkbox"/> Bodypoint 3" Goal Post Handle	\$66	E2323
<input type="checkbox"/> Bodypoint 4" Goal Post Handle	\$66	E2323

JOYSTICK MOUNTING BRACKETS		
Description	Price	HCPCS Code
<input type="checkbox"/> Fixed Inline ⁷	Standard	
<input type="checkbox"/> Swing-away	\$210	E1028
<input type="checkbox"/> Left		
<input type="checkbox"/> Right		
<input type="checkbox"/> In-line		
<input type="checkbox"/> Offset		
<input type="checkbox"/> 4" Ext.		
<input type="checkbox"/> 7" Ext.		
<input type="checkbox"/> Multi-axis Fixed	\$100	K0108
<input type="checkbox"/> Left		
<input type="checkbox"/> Right		

FOOTNOTES
1. Requires Q-Logic EX.
2. Increases overall base width by 1.5" with Flat Free, 1.8" with Pneumatic.
3. Unoccupied Transit Kit with a Vent Tray may not allow lowest seat to floor height, vent tray unavailable w/ Occupied Transit Kit.
4. All mounting hardware is included in kit. See Specialty Electronics order form for additional mounting options and secondary controls. Bluetooth mouse emulator requires a run plug harness for either static or power seating. Additional fees will apply.
5. Works with Q-Logic EX and NE+ only
6. Use code E2323 when not used in conjunction with a chin control.
7. Not available with Q-logic EX Stand Alone Joystick.

Options with a circular checkbox (○) are NOT available through Quantum West.

TRU-BALANCE® POWER POSITIONING SYSTEMS

Description	Price	HCPCS Code
<input type="checkbox"/> TRU-Balance® Power Tilt (55°) <i>55 degree center of gravity (CG) power tilt seating system. 300lbs weight capacity.</i>	\$4995	E1002
<input type="radio"/> TRU-Balance® Power Recline (168°) <i>Full Drive lock-out at 20 degrees. 300 lbs. weight capacity</i>	\$5595	E1004
<input type="checkbox"/> TRU-Balance® Power Tilt (55°) & Recline (168°) <i>Full Drive lock-out at 20 degrees, 300 lbs. weight capacity 55 degree center of gravity (CG) power tilt seating system.</i>	\$9595	E1007
<input type="radio"/> TRU-Balance® Lift (10") ¹ <i>Must be selected in conjunction with TB Power Tilt or TB Power Tilt & Recline.</i>	\$2895	

SEATING SPECIFICATIONS

Seat Width:
 14" 15" 16" 17" 18"
 19" 20"

Seat Width Package:
 14"W-18"W 15"W-20"W

Seat Depth:
 14" 15" 16" 17" 18"
 19" 20"

Seat Depth Package:
 14"D-18"D 16"D-20"D

Back Cane Height:
 14" 15" 16" 17" 18"
 19" 20" 21" 22" 23"
 24" 25"

Back Rest Height:
 18" 19" 20" 21" 22"
 23" 24" 25"

BACK OPTIONS

Description	Price	HCPCS Code
Tilt Back:		
<input type="checkbox"/> Synergy Back with 1.5" thick back cushion <i>Choose Lateral Extension:</i>	Standard	
<input type="checkbox"/> 10" (For Back Heights 18")	\$25	
<input type="checkbox"/> 12" (For Back Heights 19"-22")	\$25	
<input type="checkbox"/> 16" (For Back Heights 23"-25")	\$25	
<input type="checkbox"/> Synergy® Shape Back Positioning Back <i>See Synergy Shape Back order form for detailed pricing, sizes and codes</i>	Various	E2613/E2614
<input type="radio"/> Omit Back	(-\$100)	
Tilt Back Options:		
<input type="checkbox"/> Standard Back Canes	Standard	
<input type="checkbox"/> Omit Push Handles	\$125	
<input type="radio"/> Flip Forward Canes ²	\$150	
<input type="checkbox"/> Omit Push Handles	\$125	
<input type="radio"/> Offset (Meso) ³	\$195	
<input type="checkbox"/> 2" (1" Per Side) <input type="checkbox"/> 4" (2" Per Side)		
<input type="radio"/> Inset (Endo) ³	\$195	
<input type="checkbox"/> 2" (1" Per Side) <input type="checkbox"/> 4" (2" Per Side)		
<input type="radio"/> Attendant Manual Recline ⁴ <i>250lbs Weight Capacity, 180° of Recline</i>	\$750	E1226

Recline Back:

<input type="checkbox"/> Synergy Reclining Back <i>with 1.5" thick back cushion</i>	Standard	
<input type="radio"/> After Market Back Interface ⁵	\$200	
Recline Back Options:		
<input type="checkbox"/> Offset (Meso) ⁶	\$195	
<input type="checkbox"/> 2" (1" Per Side) <input type="checkbox"/> 4" (2" Per Side)		
<input type="checkbox"/> Inset (Endo) ⁶	\$195	
<input type="checkbox"/> 2" (1" Per Side) <input type="checkbox"/> 4" (2" Per Side)		

TRU-COMFORT™ SEATING

Description	Price	HCPCS Code
<i>Please refer to TRU-Comfort™ Cushion and TRU-Comfort Back order forms for detailed pricing, sizes and codes.</i>		
TRU-Comfort™ Back Cushion:		
<input type="checkbox"/> 16"W <input type="checkbox"/> 18" W <input type="checkbox"/> 20"W	\$595	E2620
Back Height⁷:		
<input type="checkbox"/> 22" H <input type="checkbox"/> 25" H	No Charge	
Cover:		
<input type="checkbox"/> Standard Allure leather-like cover	No Charge	
<input type="checkbox"/> Plus 4-way stretch material cover	No Charge	
TRU-Comfort™ Back Options:		
<input type="checkbox"/> Offset (Meso) ⁸	\$195	
<input type="checkbox"/> 2" (1" Per Side) <input type="checkbox"/> 4" (2" Per Side)		
<input type="checkbox"/> Inset (Endo) ⁸	\$195	
<input type="checkbox"/> 2" (1" Per Side) <input type="checkbox"/> 4" (2" Per Side)		
TRU-Comfort™ Seat Cushion <i>General Use</i>		
<i>Includes Allure leather-like cover</i>		
<input type="checkbox"/> 16" x 16" - 20" x 20"	\$380	E2601
TRU-Comfort™ Plus Seat Cushion <i>Skin Protection</i>		
<i>Includes 4-way stretch material cover</i>		
<input type="checkbox"/> 16" x 16" - 20" x 20"	\$380	E2603

ARMRESTS

Description	Price	HCPCS Code
Tilt Armrests:		
<input type="checkbox"/> Flip-back, Cane Mounted ⁹	No Charge	
<input type="checkbox"/> 2-post, Flip-back, Height-adjustable, Removable ^{9,10}	No Charge	
<input type="checkbox"/> Single-post, Height-adjustable, Removable ¹¹ <input type="checkbox"/> Quad Release Lever	No Charge	
<input type="radio"/> Bariatric, Removable Height, Adjustable ¹²	\$150	
<input type="checkbox"/> 8"H - 12"H <input type="checkbox"/> 10"H-14"H		
<input type="checkbox"/> Removable, Single-post, Height Adjustable, Heavy Duty	No Charge	
<input type="checkbox"/> 8"H - 12"H <input type="checkbox"/> 10"H-14"H		
<input type="checkbox"/> Pediatric, Removable ¹³ <i>Color:</i> <input type="checkbox"/> Match Shroud <input type="checkbox"/> Black <input type="checkbox"/> Quad Release Lever	No Charge	
<input type="radio"/> Height Adjustable Cantilever Armrests ¹⁴ <i>Angle-Adjustable: - 30° through + 30°</i>	\$195	
Recline Armrests:		
<input type="checkbox"/> Reclining, Flip Back <i>TRU-Balance Power Recline Only</i>		
<input type="checkbox"/> 8"H - 9"H <input type="checkbox"/> 10"H-11"H		
<input type="radio"/> Height Adjustable Cantilever Armrests ¹⁴ <i>Angle-Adjustable: - 30° through + 30°</i>	\$195	

FOOTNOTES

- 10" of scissor lift. Must select TB Tilt or TB Tilt & Recline in conjunction with lift. Includes 1/4 Speed Inhibit. Allowable dimensions 16" x 16" - 20" x 20". Requires Q-Logic EX. Not available with Manual Recline.
- Not available with Attendant Manual Recline, Vent Tray, Bariatric Armpads, or O2 Holder. Tru Comfort Back requires SOF. May interfere with Lateral Supports and Waterfall Armpads
- Dual Post Flip-back Armrests interfere with offset canes. Not available with Manual Recline.
- Not available with Flip Back Arms, Cantilever Arms, Shape Back, Power Elevate or 10" Lift. Requires Synergy Back. Pivot point 2.5" above seat pan. In iQuantum this option should be chosen under 'Depth Package Type' and also 'Back Cane Type'.
- Seat depth may be adjusted to accommodate certain after market backs. Contact your Quantum Specialist for details. Does not include brackets to mount After Market Back
- Recline units require Cantilever Armrests and disallows the selection of an Articulating Vent Tray. Back width cannot be less than 14"W or exceed 24"W.
- TRU-Comfort back height is measured from the top of a 3" cushion.
- Dual Post Flip-back Armrests interfere with Meso brackets. Back width cannot be less than 16"W or exceed 22"W.
- Interferes with swing-away laterals
- Height adjustable from 9"-13" in 1" increments
- Height adjustable from 11"-17" in 1/2" increments
- Bariatric armrests must be used with bariatric armpads.
- Height adjustable from 7.75"-9.75" in 1/2" increments. Not available with full length armpads
- Height adjustment from 11-17" depends on cane height. Not available with Manual Recline, Flip Forward back canes, Cane Clamp Pushbar, & Shape Back. Call for details when selecting aftermarket arm troughs.

Options with a circular checkbox (○) are NOT available through Quantum West.

ARMPADS

<input type="checkbox"/> Straight, Full Length (2"x14")	Standard	
<input type="checkbox"/> Left <input type="checkbox"/> Right		
<input type="checkbox"/> Straight, Desk Length (2"x10")	No Charge	
<input type="checkbox"/> Left <input type="checkbox"/> Right		
<input type="checkbox"/> Waterfall, Full Length (2"x14")	No Charge	
<input type="checkbox"/> Left <input type="checkbox"/> Right		
<input type="checkbox"/> Waterfall, Desk Length (2"x10")	No Charge	
<input type="checkbox"/> Left <input type="checkbox"/> Right		
<input type="checkbox"/> Falcon Gel, Full Length, (3.5"x14")	\$150 pr.	
<input type="checkbox"/> Left <input type="checkbox"/> Right		
<input type="checkbox"/> Falcon Gel, Desk Length, (3.5"x10")	\$115 pr.	
<input type="checkbox"/> Left <input type="checkbox"/> Right		
<input type="radio"/> Flat Bariatric ¹	No Charge	
<input type="radio"/> Left <input type="radio"/> Right		

JOYSTICK MOUNTING BLOCKS

Description	Price	HCPCS Code
<input type="checkbox"/> Quick Disconnect ²	No Charge	
<input type="checkbox"/> Vertical Adjustment Clamp	\$95	K0108
<input type="checkbox"/> Figure 8 style (For use with waterfall arm pads)	No Charge	
<input type="checkbox"/> Figure 8 T-style (For use with recline & waterfall arm pads)	No Charge	

POWER POSITIONING ELECTRONICS

Description	Price	HCPCS Code
Single Actuator Electronics		
<input type="checkbox"/> Through Toggle Box (Tilt Only)	No Charge	
<input type="checkbox"/> Left Mount <input type="checkbox"/> Right Mount		
<input type="checkbox"/> Through NE+ 6-Key	\$1175	E2310
<input type="checkbox"/> Through Single Switch ³ (Tilt Only with Q-Logic EX)	\$500	
<input type="checkbox"/> Through Q-Logic EX Controller	\$1175	E2310
Dual Actuator Electronics		
<input type="checkbox"/> Through NE+ 6-Key Controller	\$2375	E2311
Multiple Actuator Electronics		
<input type="checkbox"/> Through Q-Logic EX Controller	\$2375	E2311
<input type="checkbox"/> Q-Logic EX Through 4-way Toggle	\$2375	
<input type="checkbox"/> Left Mount <input type="checkbox"/> Right Mount		
<input type="checkbox"/> Q-Logic EX Through 4-way Button Toggle	\$2375	
<input type="checkbox"/> Left Mount <input type="checkbox"/> Right Mount		
<input type="checkbox"/> Q-Logic EX through Quad Push-button	\$2375	
<input type="checkbox"/> Left Mount <input type="checkbox"/> Right Mount		

HEADRESTS

Description	Price	HCPCS Code
<input type="radio"/> No Headrest Required		
TRU-Comfort™ Headrest⁴		
<input type="checkbox"/> 8" Wide Leatherette	\$205	E0955
<input type="checkbox"/> 8" TRU-Comfort Plus	\$205	E0955
<input type="checkbox"/> 10" Wide Leatherette	\$205	E0955
<input type="checkbox"/> 10" TRU-Comfort Plus	\$205	E0955
<input type="checkbox"/> Removable Headrest Bracket ⁵	\$210	E1028
Stealth		
<input type="checkbox"/> Small (9.75"W x 3"H)	\$205	E0955
<input type="checkbox"/> Large (11"W x 6"H)	\$205	E0955
<input type="radio"/> Pediatric Comfort Plus (6"W)	\$205	E0955
<input type="checkbox"/> Small Comfort Plus (10"W)	\$205	E0955
<input type="checkbox"/> Large Comfort Plus (14"W)	\$205	E0955
<input type="checkbox"/> Removable Headrest Bracket ⁵	\$210	E1028
<input type="checkbox"/> Swing-away (Flip-down) Headrest Bracket ⁶	\$210	E1028

Used in Addition to Removable Headrest Bracket

Medical Applications

<input type="radio"/> Small (9.75"W x 3"H)	\$230	E0955
<input type="radio"/> Large (11"W x 6"H)	\$230	E0955
<input type="radio"/> Removable Headrest Bracket ⁵	\$210	E1028
<input type="radio"/> Reclining Headrest (6.5"W x 7"H)	\$205	E0955
<input type="radio"/> Removable Bracket For Reclining Headrest ⁵	\$210	E1028

Aftermarket Bracket

<input type="radio"/> Removable Bracket for Aftermarket Headrest	\$210	E1028
--	-------	-------

NON-POWERED LEGRESTS

Description	Price	HCPCS Code
<input type="checkbox"/> 70° Swing-away Legrests⁷		
<input type="checkbox"/> Straight <input type="checkbox"/> Tapered	Standard	
<input type="checkbox"/> Standard Extruded Footplates		
Standard Extruded Extensions:	No Charge	
<input type="checkbox"/> 11"-13" <input type="checkbox"/> 13"-16.5" <input type="checkbox"/> 15.5"-19.5"		
Standard Extruded Footplates:		
<input type="checkbox"/> 7.25" x 6" <input type="checkbox"/> 8.5" x 6"		
<input type="checkbox"/> Angle-Adjustable Footplates⁸	\$150	K0040
Angle Adjustable Extensions:		
<input type="checkbox"/> 11"-13" <input type="checkbox"/> 13"-16.5" <input type="checkbox"/> 15.5"-19.5"		
Angle-Adjustable Footplates:		
<input type="checkbox"/> 4" x 6" <input type="checkbox"/> 5" x 6" <input type="checkbox"/> 5" x 8"		
<input type="checkbox"/> 6" x 8" ⁹ <input type="checkbox"/> 6" x 11" ⁹ <input type="checkbox"/> 8" x 11" ¹⁰		
<input type="checkbox"/> Multi-Axis Footplates	\$495	K0040
Multi-Axis Extensions:		
<input type="checkbox"/> 11"-16.5" <input type="checkbox"/> 15.5"-19.5"		
Multi-Axis Footplates:		
<input type="checkbox"/> 4" x 6" <input type="checkbox"/> 5" x 6" <input type="checkbox"/> 5" x 8"		
<input type="checkbox"/> 6" x 8" ⁹ <input type="checkbox"/> 6" x 11" ⁹ <input type="checkbox"/> 8" x 11" ¹⁰		
<input type="radio"/> High Mount, Clamp-On Footrest		
<input type="radio"/> Angle Adjustable	\$326	K0040
<input type="radio"/> Small, 4" x 7.75"		
<input type="radio"/> Large, 4.25" x 9.25"		
<input type="radio"/> Multi-Axis	\$412	K0040
<input type="radio"/> Small, 4" x 7.75"		
<input type="radio"/> Large, 4.25" x 9.25"		
<input type="checkbox"/> Heavy Duty Drop-In Legrests⁷	\$420	
<input type="checkbox"/> Angle Adjustable Footplates ⁸	\$150	K0040
Angle Adjustable Extension Length:		
<input type="checkbox"/> 12"-14.5" <input type="checkbox"/> 14.5" -18"		
Angle Adjustable Footplate Size:		
<input type="checkbox"/> 4" x 6" <input type="checkbox"/> 5" x 6" <input type="checkbox"/> 5" x 8"		
<input type="checkbox"/> 6" x 8" ⁹ <input type="checkbox"/> 6" x 11" ⁹ <input type="checkbox"/> 8" x 11" ¹⁰		
<input type="checkbox"/> Elevating Legrests⁷	\$325	E0990
<input type="checkbox"/> Standard Footplates		
Standard Extruded Extension Length:		
<input type="checkbox"/> 11"-14" <input type="checkbox"/> 14"-17"		
Standard Extruded Footplate Size:		
<input type="checkbox"/> 7.25" x 6" <input type="checkbox"/> 8.5" x 6"		
<input type="checkbox"/> Angle Adjustable Footplates⁷	\$150	K0040
Angle Adjustable Extension Length:		
<input type="checkbox"/> 12"-14.5" <input type="checkbox"/> 14.5" -18"		
Angle Adjustable Footplate Size:		
<input type="checkbox"/> 4" x 6" <input type="checkbox"/> 5" x 6" <input type="checkbox"/> 5" x 8"		
<input type="checkbox"/> 6" x 8" ⁹ <input type="checkbox"/> 6" x 11" ⁹ <input type="checkbox"/> 8" x 11" ¹⁰		
<input type="checkbox"/> Calf Pad Adjustment		
<input type="checkbox"/> 1 Hole <input type="checkbox"/> 3 Hole <input type="checkbox"/> 6 Hole		
<input type="checkbox"/> 90° Pediatric Swing-Away Legrests⁷	No Charge	
<input type="checkbox"/> Angle Adjustable Footplates⁸		
Angle Adjustable Extension Length:		
<input type="checkbox"/> 7"-10"		
Angle Adjustable Footplate Size:		
<input type="checkbox"/> 4" x 6" <input type="checkbox"/> 5" x 6"		

HIGH MOUNT FOOT PLATFORM

Description	Price	HCPCS Code
<input type="checkbox"/> High Mount Foot Platform	\$450	K0108
<input type="checkbox"/> 10"-14" Ext. ⁷ <input type="checkbox"/> 14"-17" Ext. ⁷		

FOOTNOTES

- Bariatric armrests must be used with bariatric arm pads.
- Not available with waterfall arm pads.
- Single switch not included. See specialty controls order form for a list of available switches.
- Measurement is taken from the inside of the headrest.
- When headrest pad is chosen i-Quantum automatically selects Removable Headrest Bracket.
- Not available with power recline.
- Extensions measured from top of seatpan to footplate.
- Includes heel loops.
- Requires seat width 18" or greater.
- Requires seat width 20" or greater.

Options with a circular checkbox (○) are NOT available through Quantum West.

POWER ELEVATING LEGRESTS

Description	Price	HCPCS Code
<input type="checkbox"/> 70° Articulating Swing-Away Legrests, 4" Articulation Range	\$2,395	E1010
<input type="checkbox"/> Quad Release Lever Calf Pads ¹ : <input type="checkbox"/> 6" x 5.35" <input type="checkbox"/> 8" x 5.86" Angle Adjustable Extension Length ² : <input type="checkbox"/> 11"-13" <input type="checkbox"/> 14.5"-18" Angle Adjustable Footplate Size: <input type="checkbox"/> 4" x 6" <input type="checkbox"/> 5" x 6" <input type="checkbox"/> 5" x 8" <input type="checkbox"/> 6" x 8" ³ <input type="checkbox"/> 6" x 11" ³ <input type="checkbox"/> 8" x 11" ⁴ Operational Method: <input type="checkbox"/> Independent <input type="checkbox"/> Combined		

<input type="checkbox"/> 70° Articulating Drop-In Legrests	\$2,395	E1010
<input type="checkbox"/> 4" Range <input type="checkbox"/> 6" Range Calf Pads ¹ : <input type="checkbox"/> 6" x 5.35" <input type="checkbox"/> 8" x 5.86" Angle Adjustable Extension Length ² : <input type="checkbox"/> 12"-14.5" <input type="checkbox"/> 14.5"-18" Angle Adjustable Footplate Size: <input type="checkbox"/> 4" x 6" <input type="checkbox"/> 5" x 6" <input type="checkbox"/> 5" x 8" <input type="checkbox"/> 6" x 8" ³ <input type="checkbox"/> 6" x 11" ³ <input type="checkbox"/> 8" x 11" ⁴ Operational Method: <input type="checkbox"/> Independent <input type="checkbox"/> Combined		

POWER ARTICULATING FOOT PLATFORM

Description	Price	HCPCS Code
<input type="checkbox"/> Power Articulating Foot Platform	\$2,895	K0108
<input type="checkbox"/> Standard Split Footplatform Extension Length ² : <input type="checkbox"/> 12"-14" <input type="checkbox"/> 14"-16" Footplatform Size: <input type="checkbox"/> 10.5" x 8" <input type="checkbox"/> 10.5" x 10.5" <input type="checkbox"/> Depth Adjustable Split Footplatform Depth Adjustable Extension Length ² : <input type="checkbox"/> 16" -18" Depth Adjustable Footplatform Size: <input type="checkbox"/> 10.5" x 10.5" Optional Accessories: <input type="checkbox"/> Connection Bracket \$49 <input type="checkbox"/> Heel Cups \$39 K0108		

FRONT RIGGING ACCESSORIES

Description	Price	HCPCS Code
<input type="checkbox"/> Wheel Bumpers ⁵	\$25	
<input type="checkbox"/> Heel Loops (pair) ⁶	\$38	E0951
<input type="checkbox"/> Gel Neoprene Footrest Sleeve (pair) ⁷	\$65	K0108
<input type="checkbox"/> ELR/ALR Adductor Buttons (pair)	\$100	K0108
<input type="checkbox"/> POSAlinc Knee Adductor for Swing-Away Legrests (pair)	\$464	K0108
<input type="checkbox"/> POSAlinc Rail Mounted Knee Adductor (pair)	\$464	K0108
<input type="checkbox"/> Residual Limb Support	\$300	E1020
<input type="checkbox"/> Left <input type="checkbox"/> Right		
<input type="checkbox"/> Ankle Huggers (pair)	\$126	K0108
<input type="checkbox"/> Small <input type="checkbox"/> Medium		

SYNERGY® CUSHIONS

Description	Price	HCPCS Code
<input type="checkbox"/> No Cushion Required		
<i>Please refer to Synergy order forms for detailed pricing, sizes and codes.</i>		
Simplicity Cushion General Use		
<input type="checkbox"/> 16" x 16" - 20" x 20"	\$98	E2601
Solution® 1 Cushion Skin Protection		
<input type="checkbox"/> 14" x 14" - 20" x 18"	\$380	E2603
<input type="checkbox"/> 20" x 20"	\$430	E2603
Solution® Cushion Skin Protection & Positioning		
<input type="checkbox"/> 10" x 10" - 20" x 18"	\$380	E2607
<input type="checkbox"/> 20" x 20"	\$430	E2607
Spectrum® Gel Cushion Positioning		
<input type="checkbox"/> 12" x 10" - 20" x 19"	\$480	E2605
<input type="checkbox"/> 20" x 20"	\$530	E2605
Spectrum® Visco Cushion Skin Protection & Positioning		
<input type="checkbox"/> 10" x 10" - 20" x 18"	\$480	E2607
<input type="checkbox"/> 20" x 20"	\$530	E2607
Spectrum Air Adjustable Skin Protection		
<input type="checkbox"/> 14" x 12" - 20" x 20"	\$480	E2622
Spectrum Air Contour Adjustable Skin Protection & Positioning		
<input type="checkbox"/> 14" x 12" - 20" x 20"	\$499	E2624

LATERALS

Description	Price	HCPCS Code
<input type="checkbox"/> Stealth Thoracic Laterals (pair)		
<i>Bracket:</i>		
<input type="checkbox"/> 125° Swing-Away Bracket ⁸	\$450	E1028
<i>(For Use with TRU-Comfort)</i>		
<input type="checkbox"/> Swing-Away, Rail Mount Bracket ⁸	\$450	E1028
<i>(For Use with Synergy Back)</i>		
<i>Pad:</i>		
<input type="checkbox"/> Flat Pad, 3" x 5", Leather-Like Cover	\$200	E0956
<input type="checkbox"/> Flat Pad, 4" x 6", Leather-Like Cover	\$200	E0956
<input type="checkbox"/> Curved Pad, 2" x 3", 4-Way Stretch Cover	\$200	E0956
<input type="checkbox"/> Curved Pad, 3" x 5", 4-Way Stretch Cover	\$200	E0956
<input type="checkbox"/> Curved Pad, 4" x 6", 4-Way Stretch Cover	\$200	E0956
<input type="checkbox"/> Stealth Pelvic/Thigh Laterals		
<i>Side:</i>		
<input type="checkbox"/> Left Side <input type="checkbox"/> Right Side		
<i>Bracket:</i>		
<input type="checkbox"/> Removable Bracket (ea.)	\$250	E1028
<input type="checkbox"/> Flip Down Bracket (ea.)	\$225	E1028
<i>Pad:</i>		
<input type="checkbox"/> Short Pad, 4" x 4" (ea.)	\$90	E0956
<input type="checkbox"/> Medium Pad, 4" x 8" (ea.)	\$90	E0956
<input type="checkbox"/> Long Pad, 4" x 12" (ea.)	\$90	E0956

FOOTNOTES

- Calf pads are selected in the rigging accessory section of iQuantum
- Extensions are measured from top of seat pan to footplate
- Only available with seat width 18" or greater
- Only available with seat width 20" or greater
- Standard on Power Elevating Legrests
- Standard with angle adjustable footplates
- Available only with swing-away legrests
- Swing-away laterals interfere with flip-back armrests

Options with a circular checkbox (○) are NOT available through Quantum West.

MISCELLANEOUS POSITIONING COMPONENTS

Description	Price	HCPCS Code
<input type="checkbox"/> Therafin Flip-down Knee Abductor Bracket ¹ Pad: <input type="checkbox"/> Small <input type="checkbox"/> Medium <input type="checkbox"/> Large	\$190	E1028
<input type="checkbox"/> Stealth Foot Boxes (pair) <input type="checkbox"/> Small <input type="checkbox"/> Medium <input type="checkbox"/> Large	\$475	K0108
<input type="checkbox"/> Stealth Padded Shoe Holders (pair) <input type="checkbox"/> Small <input type="checkbox"/> Medium <input type="checkbox"/> X-Large	\$166	K0108
<input type="checkbox"/> Otto Bock Arm Channels (ea.) Side: <input type="checkbox"/> Left <input type="checkbox"/> Right Size: <input type="checkbox"/> Small <input type="checkbox"/> Medium <input type="checkbox"/> Large	\$102	E2209
<input type="checkbox"/> Otto Bock Flat Hand Pad(ea.) Side: <input type="checkbox"/> Left <input type="checkbox"/> Right Size: <input type="checkbox"/> Medium <input type="checkbox"/> Large	\$51	

Please see positioning components order form for additional types, sizes and details.

ACCESSORIES

Description	Price	HCPCS Code
<input type="checkbox"/> Quantum Backpack ²	\$60	
<input type="checkbox"/> Oxygen Holder ³	\$150	E2208
<input type="checkbox"/> Recline Accessory Mounting Bracket ⁴	\$50	
<input type="checkbox"/> Weather Cover, Medium, Black	\$158	
<input type="checkbox"/> Cup Holder Side: <input type="checkbox"/> Left <input type="checkbox"/> Right	\$17	

LAP BELTS

Description	Price	HCPCS Code
<input type="checkbox"/> 38" Lap Belt	Standard	
<input type="checkbox"/> 50" Lap Belt	Standard	
<input type="checkbox"/> 60" Lap Belt	Standard	
<input type="checkbox"/> 70" Lap Belt	Standard	
<input type="checkbox"/> 80" Lap Belt	Standard	
<input type="checkbox"/> 90" Lap Belt	Standard	
<input type="checkbox"/> Pelvic Positioning Belt, 2-Point Padded Med, 9"-15" Hip Width	\$86	
<input type="checkbox"/> Pelvic Positioning Belt, 2-Point Padded, Lg, 13"-19" Hip Width	\$91	
<input type="checkbox"/> Pelvic Positioning Belt, 4-Point Padded, Med, 9"-15" Hip Width	\$112	
<input type="checkbox"/> Pelvic Positioning Belt, 4-Point Padded, Lg, 13"-19" Hip Width	\$116	

BATTERIES

Description	Price	HCPCS Code
<input type="checkbox"/> NF-22, 50-Amp Batteries <input type="checkbox"/> Maintenance Free AGM	\$255 ea.	E2361
<input type="checkbox"/> Maintenance Free Gel Cell (Universal)	\$295 ea.	E2361
<input type="checkbox"/> Maintenance Free Gel Cell (MK)	\$295 ea.	E2361

Installation:
 Batteries Installed Do Not Install

COMPACT VENT TRAY

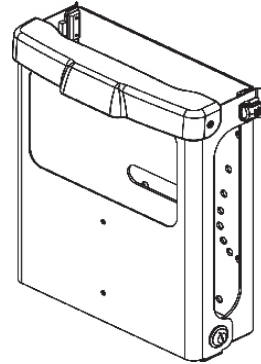
- Compact Vent Tray \$1,395
The addition of a compact vent tray may increase the length & weight of your power chair.

Mounting Bracket:

Bracket selection not required with Recline systems or with TRU-Comfort Back

- 3" Offset⁵ 6" Offset

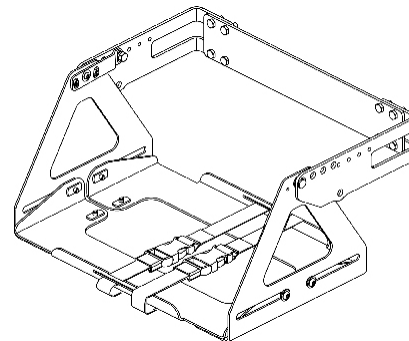
- Max Vent Dim. 3.25" H x 10.5" W x 13.5" / 20 lbs.
- Not Available with Shape Back, flip-down back canes, or with any rear mounted accessories
- Requires back cane height greater than 22" on seats without recline.



ARTICULATING VENT TRAY⁶

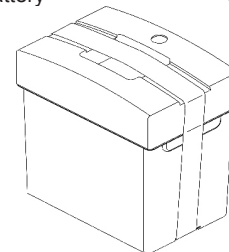
Description	Price	HCPCS Code
<input type="checkbox"/> Articulating Vent Tray - 14.5"W x 10.5-15.5"D	\$1,450	E1030
<input type="checkbox"/> Articulating Bi-PAP Vent Tray - 9.5"W x 9.5-13.5"D	\$1,450	E1030

The addition of an articulating vent or Bi-PAP tray may increase the length & weight of your power chair.



Battery Tray Selection:

- Battery Tray \$450 K0108
- Include U1 Battery Box \$50 K0108
- Include U1 Battery \$133 E2365



FOOTNOTES

1. Not available with highmount footplatform.
2. Backpack may interfere w/ other rear accessories.
3. Oxygen holder on Tilt with Tru Comfort back or on Power Recline requires SOF.
4. 1" adaptor tube allows cane mounted accessories to mount to power recline back or siderail.
5. Not available with Flip-back Cane Mounted Arms.
6. Not available with TRU Balance Lift, Manual Recline or with rear mounted accessories.

TRANSIT KIT INFO**Q600****THIS SECTION MUST BE READ**

The Transit Securement Package, when used in conjunction with a **wheelchair in the specific configuration of a 18"x20" seat size, with 25" high back canes, Full-length height-adjustable single post armrests, Synergy back 25"h, and style 8 swing away legrests and extruded footplates and heel-loops**, conforms with the standard of ANSI/RESNA WC/Vol. 4, Section 19, for the purpose of enabling wheelchairs to be secured in certain types of motor vehicles. The Transit Securement Package, including manufacturer-installed front and rear securement brackets and pelvic belt anchoring brackets, has been crash tested in accordance with ANSI/RESNA WC/Vol. 4, Section 19, Frontal Impact Test, with a 168-lbs. (76.2 kg) surrogate occupant corresponding to a user weight range of 115 lbs. (52.16 kg) to 210 lbs. (95.25 kg). While the Transit Securement Package is compatible with additional seat sizes, optional components, and varied configurations, and provides designated securement points, Pride Mobility makes no claims that any other components or configurations have been tested beyond the above described ANSI/RESNA conforming configuration. Please refer to the Transit Securement Package supplement (**part number INFMANU3658**) for additional information.

RULES:

-All options are available when unoccupied.

Notes when selecting occupied transit kit:

-It is recommended that usable back height be 2" lower than shoulder height.

-Available on Synergy Seat up to 20W x 20D

-Power AFP, ALRs & ELRs are available on Synergy Seating

-All legrests must have heel loops

-Synergy manual seating is N/A

-TRU-Balance Power Positioning seating, options and accessories are N/A

-TRU-Comfort seat cushion is N/A

-Contoured seating is N/A

-Specialty seating is N/A

-Vent option is N/A