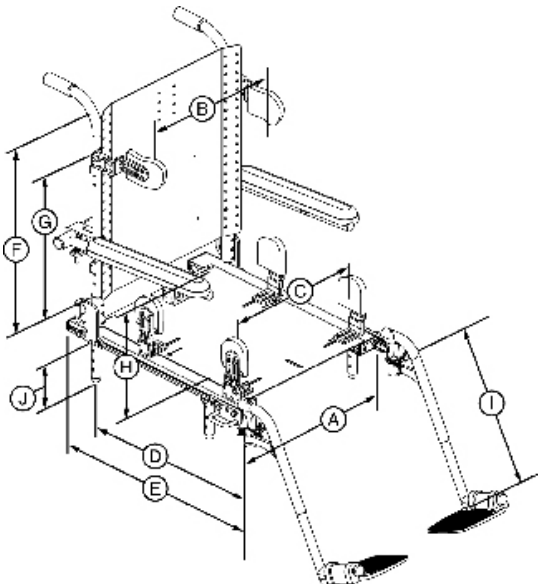


Quantum® 600 Series
Group 3 Standard
Order Form
300 lbs. weight capacity



Account Number: _____
 Provider Name: _____
 Contact: _____
 Phone: _____
 Fax: _____
 Date: _____
 PO#: _____
 Marked For: _____
 Ship To: _____
 Address: _____
 City: _____ State: _____ Zip: _____
 Discount: _____
 Terms: _____
 Freight: _____
 Taken By: _____

SET-TO-SPEC



Please supply patient information for optimal setup prior to shipping.

Client Height: _____
 Client Weight: _____

- A. Seat Width: _____
- B. Lateral Offset: _____
- C. Hip/Thigh Lateral Offset: _____
- D. Center of Gravity: *Optimized based on seat dimensions*
- E. Seat Depth: _____
- F. Back Height from Pan: _____
- G. Lateral Height from Pan: _____
- H. Armrest Height from Pan: _____
- I. Rigging Length (whole numbers only): _____
- J. Seat to Floor Height (circle one): _____

Seating System	Seat-To-Floor Height			
	21"	22"	23"	24"
Contoured Seat	21"	22"	23"	24"
Specialty Seat	17"	18"	19"	20"
Synergy Seat (Standard Stem Mounts)	17"	18"	19"	
Synergy Seat (Extended Stem Mounts)	20"	21"	22"	

*Seat to floor height are +/- 1/8" with 18"W x 18"D with Flat-Free tires (add 3/8" for pneumatic tires).
 Increased widths may increase lowest seat to floor heights.*

Clinician Notes: _____

* While every effort will be taken to ensure items will be preset to your specifications prior to shipping, variations in options may effect final settings.

DME providers are responsible for determining appropriate billing codes when submitting for insurance reimbursement. HCPCS codes should not be considered as legal advice. All prices are MSRP.

Options with a circular checkbox (○) are NOT available through Quantum West.

BASE MODEL

Description	Price	HCPCS Code
<input type="radio"/> Quantum 600 3S-C	\$6,121	K0849
<input type="checkbox"/> Quantum 600 3S-SS	\$6,121	K0848
<input type="radio"/> Quantum 600 3SP-C <i>An SP-C describes a base with an alternative drive device with a captain's seat</i>	\$6,321	K0857

COLORS

Metallic Colors:

- Champagne
- Candy Apple Red
- Viper Blue
- Onyx Black
- Sunburst Orange
- Pearl Pink
- Pewter
- Silver
- Emerald Green
- Graphite Blue
- Sapphire Blue

Solid Colors:

- Mariner Blue
- Cardinal Red
- Spring Green
- SolarYellow
- Violet
- Kelly Green
- Tangerine

MOTOR OPTIONS

Description	Price
<input type="checkbox"/> Standard Motor Package	Standard
<input type="radio"/> High Speed Motor Package <i>Programmable Speed Up To 6 MPH, 300 lbs. Weight Capacity. HS Motors decrease per-charge range.</i>	\$1,574
<input type="radio"/> Accu-Trac Motor Technology ¹ <i>Delivers Enhanced Traction and Tracking Especially With Switched Drive Controls</i>	\$1,295 K0108
<input type="radio"/> Community Use Package ² Package Includes: - 300 lbs. Weight Capacity - 4-Pole High Speed Motor Package - 4" Wide Flat Free or Pneumatic Knobby Extended Traction Tires	\$2,125

BASE MOUNTED FOOT PLATFORM

Description	Price
<input type="checkbox"/> No Base Mounted Front Platform	No Charge
<input type="checkbox"/> Base Mounted Foot Platform	Standard

DRIVE WHEELS

Description	Price
<input type="checkbox"/> 14" Flat-Free <i>Rim Color:</i> <input type="checkbox"/> Black <input type="checkbox"/> Silver	Standard
<input type="checkbox"/> 14" Pneumatic <i>Rim Color:</i> <input type="checkbox"/> Black <input type="checkbox"/> Silver	No Charge
<input type="radio"/> 4" Wide Flat Free, Knobby, Extended-Traction Tires ²	\$551
<input type="radio"/> 4" Wide Pneumatic, Knobby, Extended-Traction Tires ²	\$551

BATTERY CHARGER

Description	Price
<input type="checkbox"/> 8 Amp Off-board Charger	Standard

TRANSIT KIT

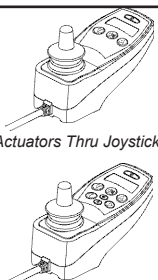
Description	Price
<i>Refer to Page 6 for Details Regarding Occupied and Unoccupied Transit Kits</i>	
<input type="radio"/> Occupied Transit Kit	\$350
<input type="radio"/> Unoccupied Transit Kit ³	\$300

LED LIGHT PACKAGE

Description	Price
<input type="radio"/> Through Q-Logic EX with Lights	\$995

NON-EXPANDABLE CONTROLS

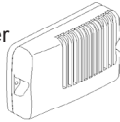
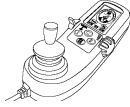
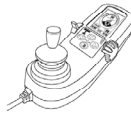
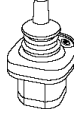

Description	Price
<input type="checkbox"/> 75 Amp NE	Standard
<input type="checkbox"/> 75 Amp NE+ 6-Key For Up To 2 Actuators Thru Joystick <i>Standard on 3SP-C Package</i>	\$200



EXPANDABLE CONTROLS


Q-Logic EX Joystick or Enhanced Display must be ordered with a Q-Logic EX Controller and Harness For Expandable Controls

Description	Price	HCPCS Code
<input type="checkbox"/> 100 Amp Q-Logic EX Controller	\$695	E2377
<input type="checkbox"/> Harness For Expandable Controller	\$350	E2313
<input type="checkbox"/> Q-Logic EX Joystick	\$700	
<input type="radio"/> Q-Logic EX Joystick for Lights <i>Required For LED Light Package</i>	\$700	
<input type="radio"/> Q-Logic EX Standalone Joystick	\$700	E2373
<input type="radio"/> Q-Logic EX Enhanced Display ⁴ <i>w/ Bluetooth Mouse & IR Capability (KITASMB1678)</i> Includes: - Q-Logic EX Enhanced Display - Flexible Gooseneck - Enhanced Display Mounting Bracket	\$1,884.93	

PROGRAMMING

Description	Price
<input type="checkbox"/> Q-Logic Handheld Programmer	\$545
<input type="radio"/> Q-Logic PC Programming Cable with Disk ⁵	\$750



JOYSTICK HANDLES

Description	Price	HCPCS Code
<input type="checkbox"/> Standard Knob	Standard	
<input type="checkbox"/> Mushroom Handle	\$71	E2323
<input type="checkbox"/> T-Bar	\$107	E2323
<input type="checkbox"/> Chin Cup ⁶	\$71	E2324
<input type="checkbox"/> Extended I-Handle	\$71	E2323
<input type="checkbox"/> Soft Ball Handle	\$50	E2323
<input type="checkbox"/> Medium Ball Handle	\$50	E2323
<input type="checkbox"/> Bodypoint 3" Goal Post Handle	\$66	E2323
<input type="checkbox"/> Bodypoint 4" Goal Post Handle	\$66	E2323

JOYSTICK MOUNTING BRACKETS

Description	Price	HCPCS Code
<input type="checkbox"/> Fixed Inline ⁷	Standard	
<input type="checkbox"/> Swing-away	\$210	E1028
<input type="checkbox"/> Left		
<input type="checkbox"/> Right		
<input type="checkbox"/> Inline		
<input type="checkbox"/> Offset		
<input type="checkbox"/> 4" Ext.		
<input type="checkbox"/> 7" Ext.		
<input type="radio"/> Multi-axis Fixed	\$100	K0108
<input type="radio"/> Left		
<input type="radio"/> Right		

FOOTNOTES

- Requires Q-Logic EX.
- Increases overall base width by 1.5" with Flat Free, 1.8" with Pneumatic.
- Unoccupied Transit Kit with a Vent Tray may not allow lowest seat to floor height, vent tray unavailable w/ Occupied Transit Kit.
- All mounting hardware is included in kit. See Specialty Electronics order form for additional mounting options and secondary controls. Bluetooth mouse emulator requires a run plug harness for either static or power seating. Additional fees will apply.
- Works with Q-Logic EX and NE+ only.
- Use code E2323 when not used in conjunction with a chin control.
- Not available with Q-logic EX Stand Alone Joystick.

Options with a circular checkbox (○) are NOT available through Quantum West.

CONTOURED SEATING

Description	Price	HCPCS Code
Medium Back:		
○ Med-Back	No Charge	
○ Med-Back with Solid Seat Pan ¹	No Charge	
Seat Width:		
○ 16" ○ 18"		
Seat Depth:		
○ 16" ○ 18"		
Upholstery:		
○ Brown Vinyl ○ Beige Vinyl ○ Gray Vinyl		
○ Black Vinyl ○ Gray Fabric ○ Brown Fabric		
High Back:		
○ Limited Recline High-Back with Headrest	No Charge	
○ Limited Recline High-Back with Headrest & Solid Seat Pan ¹	No Charge	
Seat Width:		
○ 16" ○ 18" ○ 20" ○ 22" ²		
Seat Depth:		
○ 16" ○ 18" ○ 20"		
Upholstery:		
○ Beige Vinyl ○ Gray Vinyl ○ Black Vinyl		
○ Gray Fabric ○ Brown Fabric		
Depth Adjustable High Back:		
○ Limited Recline Gray Vinyl Depth Adjustable High Back w/ Headrest ³	No Charge	
○ 18"W x 18-20"D ○ 20"W x 18-20"D		
Armrests:		
○ Flip-Up, Removable	No Charge	
○ Flip-Up, Height-Adjustable, Removable	\$170	E0973
Armpads:		
Left: ○ Full Length ○ Desk Length		
Right: ○ Full Length ○ Desk Length		

MANUAL RECLINER

Description	Price	HCPCS Code
○ Manual Recliner High Back with Headrest	\$600	E1226
○ Manual Recliner High Back with Headrest and Solid Seat Pan ¹	\$600	E1226
Upholstery:		
○ Beige Vinyl ○ Gray Vinyl		
Seat Width:		
○ 16" ○ 18"		
Seat Depth:		
○ 16" ○ 18"		
Armpads:		
Left: ○ Full Length ○ Desk Length		
Right: ○ Full Length ○ Desk Length		

SPECIALTY SEATING

Description	Price	HCPCS Code
○ Specialty Seat Kit	No Charge	
Seat Width:		
○ 16" ○ 18" ○ 20"		
Seat Depth:		
○ 16" ○ 17" ○ 18" ○ 19"		
○ 20"		
Back Cane Height:		
○ 18" ○ 20" ○ 22"		
Back Rest Height:		
○ 18" ○ 19" ○ 20" ○ 21"		
○ 22" ○ 23" ○ 24" ○ 25"		
Armrests:		
○ 2-Post, Fixed, Flip Back ⁴	No Charge	
○ Flip-Back, Cane Mounted ⁴	\$95 ea.	
○ Removable, Adjustable, Quick Height ⁵	\$275 ea.	E0973
○ Removable, Single-Post, Fixed Height Adjustable Heavy Duty	\$150 ea.	E0973
○ 8-12" Adjustment ○ 10-14" Adjustment		
Armpads:		
Left: ○ Full Length ○ Desk Length		
Right: ○ Full Length ○ Desk Length		

SYNERGY® SEATING SYSTEMS

Description	Price	HCPCS Code
<input type="checkbox"/> Synergy Seating Frame	\$434	
<input type="checkbox"/> Standard Stem Mounts		
<input type="checkbox"/> 2" Extended Vertical Stem Mounts ⁶		
○ Synergy Manual Recline Package ^{7,8}	\$700	E1226
○ Synergy Manual Tilt Package ⁹	\$550	K0108
<i>Max. Seat Size 14"W x 14"D, 75 lbs Weight Capacity</i>		
Seat Width:		
<input type="checkbox"/> 10" <input type="checkbox"/> 11" <input type="checkbox"/> 12" <input type="checkbox"/> 13" <input type="checkbox"/> 14"		
<input type="checkbox"/> 15" <input type="checkbox"/> 16" <input type="checkbox"/> 17" <input type="checkbox"/> 18" <input type="checkbox"/> 19"		
<input type="checkbox"/> 20"		
Seat Width Package:		
<input type="checkbox"/> 10"W-14"W <input type="checkbox"/> 14"W-18"W <input type="checkbox"/> 16"W-20"W		
Seat Depth:		
<input type="checkbox"/> 10" <input type="checkbox"/> 11" <input type="checkbox"/> 12" <input type="checkbox"/> 13" <input type="checkbox"/> 14"		
<input type="checkbox"/> 15" <input type="checkbox"/> 16" <input type="checkbox"/> 17" <input type="checkbox"/> 18" <input type="checkbox"/> 19"		
<input type="checkbox"/> 20"		
Seat Depth Package:		
<input type="checkbox"/> 10"D-14"D <input type="checkbox"/> 14"D-18"D <input type="checkbox"/> 16"D-20"D		
Back Cane Height:		
<input type="checkbox"/> 14" <input type="checkbox"/> 15" <input type="checkbox"/> 16" <input type="checkbox"/> 17"		
<input type="checkbox"/> 18" <input type="checkbox"/> 19" <input type="checkbox"/> 20" <input type="checkbox"/> 21"		
<input type="checkbox"/> 22" <input type="checkbox"/> 23" <input type="checkbox"/> 24" <input type="checkbox"/> 25"		
Back Rest Height:		
<input type="checkbox"/> 18" <input type="checkbox"/> 19" <input type="checkbox"/> 20" <input type="checkbox"/> 21"		
<input type="checkbox"/> 22" <input type="checkbox"/> 23" <input type="checkbox"/> 24" <input type="checkbox"/> 25"		

SYNERGY® BACK CANE OPTIONS

Description	Price	HCPCS Code
<input type="checkbox"/> Standard Back Canes With Push Handles	Standard	
○ Standard Back Canes, No Push Handles	\$125	
○ Flip Forward Canes ¹⁰	\$150	
○ Offset (Meso) ¹¹	\$195	
○ 2" (1" Per Side) ○ 4" (2" Per Side)		
○ Inset (Endo) ¹¹	\$195	
○ 2" (1" Per Side) ○ 4" (2" Per Side)		

SYNERGY® BACK OPTIONS

Description	Price	HCPCS Code
<input type="checkbox"/> Synergy Back with 1.5" Thick Back Cushion	\$275	
<i>Choose Lateral Extension:</i>		
<input type="checkbox"/> 10" (For Back Heights 18")	\$25	
<input type="checkbox"/> 12" (For Back Heights 19"-22")	\$25	
<input type="checkbox"/> 16" (For Back Heights 23"-25")	\$25	
<input type="checkbox"/> Synergy Shape Back Positioning Back	Various	E2613/E2614
<i>See Synergy Shape Back Order Form For Detailed Pricing, Sizes and Codes</i>		
○ Sling Back	\$98	
○ Omit Back	No Charge	

FOOTNOTES

- Includes black vinyl seatpan. Back available in listed colors.
- 22"W seat can not be limited recline. Seat will have pinchless hinge.
- Must choose 60" Lap Belt option with Depth Adjustable Highback
- Swing-away laterals interfere with flip-back arms. Call for configuration with Shape Back
- Adjustable from 11" to 17" in .5" increments
- Increases seat to floor height by 2". Lowest seat-to-floor height not available.
- Includes Removable, Adjustable, Quick Height Armrests.
- In i-Quantum this option should be chosen under 'Depth Package Type' and also 'Back Cane Type'.
- In i-Quantum this option is chosen under "Width Package Type"
- Not available with Synergy Manual Recline, Synergy Manual Tilt, Vent Tray, Bariatric Armpads, Sling Back, cantilever arms or Flip-up Cane Mounted Arms. May interfere with lateral supports and waterfall armpads. Tru-Comfort requires SOF.
- Dual Post Flip-back Armrests interfere with Meso canes. Not available with Manual Recline.

Options with a circular checkbox (○) are NOT available through Quantum West.

TRU-COMFORT™ SEATING

Description	Price	HCPCS Code
<i>Please refer to TRU-Comfort Cushion and TRU-Comfort Back order forms for detailed pricing, sizes and codes.</i>		
TRU-Comfort™ Back Cushion		
<input type="checkbox"/> 16"W <input type="checkbox"/> 18" W <input type="checkbox"/> 20"W	\$595	E2620
<input type="checkbox"/> 22"W	\$695	E2621
Back Height:¹		
<input type="checkbox"/> 22" H <input type="checkbox"/> 25" H	No Charge	
Cover:		
<input type="checkbox"/> Standard <i>Allure leather-like cover</i>	No Charge	
<input type="checkbox"/> Plus <i>4-way stretch material cover</i>	No Charge	
TRU-Comfort™ Seat Cushion <i>General Use</i>		
<i>Includes Allure leather-like cover</i>		
<input type="checkbox"/> 16" x 16" - 20" x 18"	\$380	E2601
<input type="checkbox"/> 20" x 20"	\$380	E2601
TRU-Comfort™ Plus Seat Cushion <i>Skin Protection</i>		
<i>Includes 4-way stretch material cover</i>		
<input type="checkbox"/> 16" x 16" - 20" x 18"	\$380	E2603
<input type="checkbox"/> 20" x 20"	\$380	E2603

ARMRESTS

Description	Price	HCPCS Code
<input type="checkbox"/> Flip-back, Cane Mounted ²	No Charge	
<input type="checkbox"/> 2-post, Flip-back, Height-adjustable, Removable ^{2,3}	\$300	E0973
<input type="checkbox"/> Single-post, Height-adjustable, Removable ⁴ <input type="checkbox"/> Quad Release Lever	\$150	E0973
<input type="checkbox"/> Bariatric, Removable Height, Adjustable ⁵ <input type="checkbox"/> 8"H - 12"H <input type="checkbox"/> 10"H-14"H	\$150	E0973
<input type="checkbox"/> Removable, Single-post, Height Adjustable, Heavy Duty <input type="checkbox"/> 8"H - 12"H <input type="checkbox"/> 10"H-14"H	\$150	E0973
<input type="checkbox"/> Pediatric, Removable ⁶ <i>Color:</i> <input type="checkbox"/> Match Shroud <input type="checkbox"/> Black <input type="checkbox"/> Quad Release Lever	\$150	E0973
<input type="checkbox"/> Height Adjustable Cantilever Armrests ⁷ <i>Angle-Adjustable: - 30° through + 30°</i>	\$195	K0020

ARMPADS

Description	Price	HCPCS Code
<input type="checkbox"/> Straight, Full Length (2"x14") <input type="checkbox"/> Left <input type="checkbox"/> Right	Standard	
<input type="checkbox"/> Straight, Desk Length (2"x10") <input type="checkbox"/> Left <input type="checkbox"/> Right	No Charge	
<input type="checkbox"/> Waterfall, Full Length (2"x14") <input type="checkbox"/> Left <input type="checkbox"/> Right	No Charge	
<input type="checkbox"/> Waterfall, Desk Length (2"x10") <input type="checkbox"/> Left <input type="checkbox"/> Right	No Charge	
<input type="checkbox"/> Falcon Gel, Full Length, (3.5"x14") <input type="checkbox"/> Left <input type="checkbox"/> Right	\$150 pr.	
<input type="checkbox"/> Falcon Gel, Desk Length, (3.5"x10") <input type="checkbox"/> Left <input type="checkbox"/> Right	\$115 pr.	
<input type="checkbox"/> Flat Bariatric ⁵ <input type="checkbox"/> Left <input type="checkbox"/> Right	No Charge	

JOYSTICK MOUNTING BLOCKS

Description	Price	HCPCS Code
<input type="checkbox"/> Quick Disconnect ⁸	No Charge	
<input type="checkbox"/> Vertical Adjustment Clamp	\$95	K0108
<input type="checkbox"/> Figure 8 style <i>(For use with waterfall arm pads)</i>	No Charge	

FOOTNOTES

- TRU-Comfort back height is measured from the top of a 3" cushion
- Interferes with swing-away laterals
- Height adjustable from 9"-13" in 1" increments
- Height adjustable from 11"-17" in 1/2" increments
- Bariatric armrests must be used with bariatric arm pads.
- Height adjustable from 7.75"-9.75" in 1/2" increments. Full length arm pads not available.
- Height adjustment from 11"-17" depends on cane height. Not available with Manual Recline, Flip Forward back canes, Cane Clamp Pushbar, & Shape Back. Call for details when selecting aftermarket arm troughs or Universal Swivel.
- Not available with Waterfall Arm pads
- Measurement is taken from the inside of the headrest
- When headrest pad is chosen I-Pride automatically selects Removable Headrest Bracket
- Legrest extensions are measured from the top of the seatpan to the footplate
- Includes standard Heel Loops
- Only available on seats wider than 18"
- Only available on seats 20"W

HEADRESTS

Description	Price	HCPCS Code
<input type="checkbox"/> No Headrest Required		
TRU-Comfort™ Headrest⁹		
<input type="checkbox"/> 8" W Leatherette	\$205	E0955
<input type="checkbox"/> 8"W TRU-Comfort Plus	\$205	E0955
<input type="checkbox"/> 10" W Leatherette	\$205	E0955
<input type="checkbox"/> 10"W TRU-Comfort Plus	\$205	E0955
<input type="checkbox"/> Removable Headrest Bracket ¹⁰	\$210	E1028
Stealth		
<input type="checkbox"/> Small (9.75"W x 3"H)	\$205	E0955
<input type="checkbox"/> Large (11"W x 6"H)	\$205	E0955
<input type="checkbox"/> Pediatric Comfort Plus (6"W)	\$205	E0955
<input type="checkbox"/> Small Comfort Plus (10"W)	\$205	E0955
<input type="checkbox"/> Large Comfort Plus (14"W)	\$205	E0955
<input type="checkbox"/> Removable Headrest Bracket ¹⁰	\$210	E1028
<input type="checkbox"/> Swing-away (Flip-down) Headrest Bracket <i>Used in Addition to Removable Headrest Bracket</i>	\$210	E1028
Medical Applications		
<input type="checkbox"/> Small (9.75"W x 3"H)	\$230	E0955
<input type="checkbox"/> Large (11"W x 6"H)	\$230	E0955
<input type="checkbox"/> Removable Headrest Bracket ¹⁰	\$210	E1028
Aftermarket Bracket		
<input type="checkbox"/> Removable Bracket for Aftermarket Headrest	\$210	E1028

NON-POWERED LEGRESTS

Description	Price	HCPCS Code
<input type="checkbox"/> 70° Swing-away Legrests¹¹	\$162	
<input type="checkbox"/> Straight <input type="checkbox"/> Tapered		
<input type="checkbox"/> Standard Extruded Footplates <i>Standard Extruded Extensions:</i> <input type="checkbox"/> 11"-13" <input type="checkbox"/> 13"-16.5" <input type="checkbox"/> 15.5"-19.5" <i>Standard Extruded Footplates:</i> <input type="checkbox"/> 7.25" x 6" <input type="checkbox"/> 8.5" x 6"	No Charge	
<input type="checkbox"/> Angle-Adjustable Footplates ¹² <i>Angle Adjustable Extensions:</i> <input type="checkbox"/> 11"-13" <input type="checkbox"/> 13"-16.5" <input type="checkbox"/> 15.5"-19.5" <i>Angle-Adjustable Footplates:</i> <input type="checkbox"/> 4" x 6" <input type="checkbox"/> 5" x 6" <input type="checkbox"/> 5" x 8" <input type="checkbox"/> 6" x 8" ¹³ <input type="checkbox"/> 6" x 11" ¹³ <input type="checkbox"/> 8" x 11" ¹⁴	\$150	K0040
<input type="checkbox"/> Multi-Axis Footplates <i>Multi-Axis Extensions:</i> <input type="checkbox"/> 11"-16.5" <input type="checkbox"/> 15.5"-19.5" <i>Multi-Axis Footplates:</i> <input type="checkbox"/> 4" x 6" <input type="checkbox"/> 5" x 6" <input type="checkbox"/> 5" x 8" <input type="checkbox"/> 6" x 8" ¹³ <input type="checkbox"/> 6" x 11" ¹³ <input type="checkbox"/> 8" x 11" ¹⁴	\$495	K0040
<input type="checkbox"/> High Mount, Clamp-On Footrest		
<input type="checkbox"/> Angle Adjustable	\$326	K0040
<input type="checkbox"/> Small, 4" x 7.75"		
<input type="checkbox"/> Large, 4.25" x 9.25"		
<input type="checkbox"/> Multi-Axis	\$412	K0040
<input type="checkbox"/> Small, 4" x 7.75"		
<input type="checkbox"/> Large, 4.25" x 9.25"		
<input type="checkbox"/> Heavy Duty Drop-In Legrests¹¹	\$420	
<input type="checkbox"/> Angle Adjustable Footplates ¹² <i>Angle Adjustable Extension Length:</i> <input type="checkbox"/> 12"-14.5" <input type="checkbox"/> 14.5" -18" <i>Angle Adjustable Footplate Size:</i> <input type="checkbox"/> 4" x 6" <input type="checkbox"/> 5" x 6" <input type="checkbox"/> 5" x 8" <input type="checkbox"/> 6" x 8" ¹³ <input type="checkbox"/> 6" x 11" ¹³ <input type="checkbox"/> 8" x 11" ¹⁴	\$150	K0040
<input type="checkbox"/> Elevating Legrests¹¹	\$325	E0990
<input type="checkbox"/> Standard Footplates <i>Standard Extruded Extension Length:</i> <input type="checkbox"/> 11"-14" <input type="checkbox"/> 14"-17" <i>Standard Extruded Footplate Size:</i> <input type="checkbox"/> 7.25" x 6" <input type="checkbox"/> 8.5" x 6"		
<input type="checkbox"/> Angle Adjustable Footplates ¹² <i>Angle Adjustable Extension Length:</i> <input type="checkbox"/> 12"-14.5" <input type="checkbox"/> 14.5" -18" <i>Angle Adjustable Footplate Size:</i> <input type="checkbox"/> 4" x 6" <input type="checkbox"/> 5" x 6" <input type="checkbox"/> 5" x 8" <input type="checkbox"/> 6" x 8" ¹³ <input type="checkbox"/> 6" x 11" ¹³ <input type="checkbox"/> 8" x 11" ¹⁴	\$150	K0040
<input type="checkbox"/> Calf Pad Adjustment		
<input type="checkbox"/> 1 Hole <input type="checkbox"/> 3 Hole <input type="checkbox"/> 6 Hole		

Options with a circular checkbox (○) are NOT available through Quantum West.

LEGRESTS (CONT'D)

Description	Price	HCPCS Code
<input type="checkbox"/> 90° Pediatric Swing-Away Legrests¹	\$162	
<input type="checkbox"/> Angle Adjustable Footplates ² Angle Adjustable Extension Length: <input type="checkbox"/> 7"-10" Angle Adjustable Footplate Size: <input type="checkbox"/> 4" x 6" <input type="checkbox"/> 5" x 6"		

HIGHMOUNT FOOT PLATFORM

Description	Price	HCPCS Code
<input type="checkbox"/> High Mount Foot Platform <input type="checkbox"/> 10"-14" Ext. ¹ <input type="checkbox"/> 14"-17" Ext. ¹	\$450	K0108

ELECTRONICS FOR POWER OPTIONS

Description	Price	HCPCS Code
<input type="checkbox"/> Single Actuator Through Joystick (AFP Only)	\$1,175	E2310
<input type="checkbox"/> Dual Actuator Through NE+ 6-Key (Power Legrests Only)	\$2,375	E2311
<input type="checkbox"/> Multiple Actuator Through Q-Logic EX	\$2,375	E2311

POWER ELEVATING LEGRESTS

Description	Price	HCPCS Code
<input type="checkbox"/> 70° Articulating Swing-Away Legrests, 4" Articulation Range	\$2,395	E1010
<input type="checkbox"/> Quad Release Lever Calf Pads ³ : <input type="checkbox"/> 6" x 5.35" <input type="checkbox"/> 8" x 5.86" Angle Adjustable Extension Length ¹ : <input type="checkbox"/> 11"-13" <input type="checkbox"/> 14.5"-18" Angle Adjustable Footplate Size: <input type="checkbox"/> 4" x 6" <input type="checkbox"/> 5" x 6" <input type="checkbox"/> 5" x 8" <input type="checkbox"/> 6" x 8" ⁴ <input type="checkbox"/> 6" x 11" ⁴ <input type="checkbox"/> 8" x 11" ⁵ Operational Method: <input type="checkbox"/> Independent <input type="checkbox"/> Combined		
<input type="checkbox"/> 70° Articulating Drop-In Legrests,	\$2,395	E1010
<input type="checkbox"/> 4" Range <input type="checkbox"/> 6" Range Calf Pads ³ : <input type="checkbox"/> 6" x 5.35" <input type="checkbox"/> 8" x 5.86" Angle Adjustable Extension Length ¹ : <input type="checkbox"/> 12"-14.5" <input type="checkbox"/> 14.5"-18" Angle Adjustable Footplate Size: <input type="checkbox"/> 4" x 6" <input type="checkbox"/> 5" x 6" <input type="checkbox"/> 5" x 8" <input type="checkbox"/> 6" x 8" ⁴ <input type="checkbox"/> 6" x 11" ⁴ <input type="checkbox"/> 8" x 11" ⁵ Operational Method: <input type="checkbox"/> Independent <input type="checkbox"/> Combined		

POWER ARTICULATING FOOT PLATFORM

Description	Price	HCPCS Code
<input type="checkbox"/> Power Articulating Foot Platform	\$2,895	K0108
<input type="checkbox"/> Standard Split Footplatform Extension Length ¹ : <input type="checkbox"/> 12"-14" <input type="checkbox"/> 14"-16" Footplatform Size: <input type="checkbox"/> 10.5" x 8" <input type="checkbox"/> 10.5" x 10.5" <input type="checkbox"/> Depth Adjustable Split Footplatform Depth Adjustable Extension Length ¹ : <input type="checkbox"/> 16" -18" Depth Adjustable Footplatform Size: <input type="checkbox"/> 10.5" x 10.5" Optional Accessories: <input type="checkbox"/> Connection Bracket \$49 <input type="checkbox"/> Heel Cups \$39 K0108		

FRONT RIGGING ACCESSORIES

Description	Price	HCPCS Code
<input type="checkbox"/> Wheel Bumpers ⁶	\$25	
<input type="checkbox"/> Heel Loops (pair) ⁷	\$38	E0951
<input type="checkbox"/> Gel Neoprene Footrest Sleeve (pair) ⁸	\$65	K0108
<input type="checkbox"/> ELR/ALR Adductor Buttons (pair)	\$100	K0108
<input type="checkbox"/> POSAlinc Knee Adductor for Swing-Away Legrests (pair)	\$464	K0108
<input type="checkbox"/> POSAlinc Rail Mounted Knee Adductor (pair)	\$464	K0108
<input type="checkbox"/> Residual Limb Support <input type="checkbox"/> Left <input type="checkbox"/> Right	\$300	E1020
<input type="checkbox"/> Ankle Huggers (pair) <input type="checkbox"/> Small <input type="checkbox"/> Medium	\$126	K0108

SEAT CUSHIONS

Description	Price	HCPCS Code
<input type="checkbox"/> No Cushion Required <i>Please refer to Synergy order forms for detailed pricing, sizes and codes.</i>		
<input type="checkbox"/> Simplicity Cushion General Use <input type="checkbox"/> 16" x 16" - 20" x 20"	\$98	E2601
<input type="checkbox"/> Solution® 1 Cushion Skin Protection <input type="checkbox"/> 14" x 14" - 20" x 18" <input type="checkbox"/> 20" x 20"	\$380 \$430	E2603 E2603
<input type="checkbox"/> Solution® Cushion Skin Protection & Positioning <input type="checkbox"/> 10" x 10" - 20" x 18" <input type="checkbox"/> 20" x 20"	\$380 \$430	E2607 E2607
<input type="checkbox"/> Spectrum® Gel Cushion Positioning <input type="checkbox"/> 12" x 10" - 20" x 19" <input type="checkbox"/> 20" x 20"	\$480 \$530	E2605 E2605
<input type="checkbox"/> Spectrum® Visco Cushion Skin Protection & Positioning <input type="checkbox"/> 10" x 10" - 20" x 18" <input type="checkbox"/> 20" x 20"	\$480 \$530	E2607 E2607
<input type="checkbox"/> Spectrum Air Adjustable Skin Protection <input type="checkbox"/> 14" x 12" - 20" x 20"	\$480	E2622
<input type="checkbox"/> Spectrum Air Contour Adjustable Skin Protection & Positioning <input type="checkbox"/> 14" x 12" - 20" x 20"	\$499	E2624

LATERALS

Description	Price	HCPCS Code
<input type="checkbox"/> Stealth Thoracic Laterals (pair)		
Bracket: <input type="checkbox"/> 125° Swing-Away Bracket ⁹ (For Use with TRU-Comfort) <input type="checkbox"/> Swing-Away, Rail Mount Bracket ⁹ (For Use with Synergy Back)	\$450 \$450	E1028 E1028
Pad: <input type="checkbox"/> Flat Pad, 3" x 5", Leather-Like Cover \$200 <input type="checkbox"/> Flat Pad, 4" x 6", Leather-Like Cover \$200 <input type="checkbox"/> Curved Pad, 2" x 3", 4-Way Stretch Cover \$200 <input type="checkbox"/> Curved Pad, 3" x 5", 4-Way Stretch Cover \$200 <input type="checkbox"/> Curved Pad, 4" x 6", 4-Way Stretch Cover \$200		E0956 E0956 E0956 E0956 E0956
<input type="checkbox"/> Stealth Pelvic/Thigh Laterals		
Side: <input type="checkbox"/> Left Side <input type="checkbox"/> Right Side		
Bracket: <input type="checkbox"/> Removable Bracket (ea.) \$250 <input type="checkbox"/> Flip Down Bracket (ea.) \$225		E1028 E1028
Pad: <input type="checkbox"/> Short Pad, 4" x 4" (ea.) \$90 <input type="checkbox"/> Medium Pad, 4" x 8" (ea.) \$90 <input type="checkbox"/> Long Pad, 4" x 12" (ea.) \$90		E0956 E0956 E0956

MISCELLANEOUS POSITIONING COMPONENTS

Description	Price	HCPCS Code
<input type="checkbox"/> Therafin Flip-down Knee Abductor Bracket ¹⁰	\$190	E1028
Pad: <input type="checkbox"/> Small <input type="checkbox"/> Medium <input type="checkbox"/> Large	\$125	E0957
<input type="checkbox"/> Stealth Shoe Boxes (pair) <input type="checkbox"/> Small <input type="checkbox"/> Medium <input type="checkbox"/> Large	\$475	K0108
<input type="checkbox"/> Stealth Padded Shoe Holders (pair) <input type="checkbox"/> Small <input type="checkbox"/> Medium <input type="checkbox"/> X-Large	\$166	K0108
<input type="checkbox"/> Otto Bock Arm Channels (ea.)	\$102	E2209
Side: <input type="checkbox"/> Left <input type="checkbox"/> Right		
Size: <input type="checkbox"/> Small <input type="checkbox"/> Medium <input type="checkbox"/> Large		
<input type="checkbox"/> Otto Bock Flat Hand Pad (ea.)	\$51	
Side: <input type="checkbox"/> Left <input type="checkbox"/> Right		
Size: <input type="checkbox"/> Medium <input type="checkbox"/> Large		

Please see positioning components order form for additional types, sizes and details.

FOOTNOTES

- Extensions are measured from the top of the seatpan to the footplate
- Calf pads are selected in the rigging accessory section of iQuantum
- Includes heel loops.
- Only available on seats 18"W or wider
- Only available on seats 20"W or wider
- Standard with power ALR's
- Standard with angle adjustable and multi-axis footplates
- Available only with swing-away legrests
- Swing-Away laterals interfere with flip-up arm rests
- Not available with highmount footplatform.

Options with a circular checkbox (○) are NOT available through Quantum West.

ACCESSORIES

Description	Price	HCPCS Code
<input type="radio"/> Rear Basket ¹	\$103	
<input type="radio"/> Cane/Crutch Holder ¹	\$98	E2207
<input type="radio"/> Weather Cover, Medium, Black	\$158	
<input type="checkbox"/> Cup Holder	\$17	
<i>Side:</i>		
<input type="checkbox"/> Left <input type="checkbox"/> Right		
<input type="radio"/> Saddle Bag	\$28	
<input type="radio"/> Flag Holder	\$17	
<input type="radio"/> Quantum Backpack ²	\$60	
<input type="radio"/> Oxygen Holder <i>Contoured Seating</i> ¹	\$103	E2208
<input type="checkbox"/> Oxygen Holder <i>Synergy Seat</i> ³	\$150	E2208
<input type="radio"/> Walker Holder ¹	\$92	K0108
<input type="radio"/> Stroller Handle <i>Manual Tilt Only</i>	\$85	

LAP BELTS

Description	Price
<input type="checkbox"/> 38" Lap Belt ¹	Standard
<input type="checkbox"/> 50" Lap Belt ¹	Standard
<input type="checkbox"/> 60" Lap Belt	Standard
<input type="checkbox"/> 60" Non-Retractable (Sure-Lok)	
<input type="checkbox"/> 70" Lap Belt	Standard
<input type="checkbox"/> 80" Lap Belt	Standard
<input type="checkbox"/> 90" Lap Belt	Standard
<input type="checkbox"/> Pelvic Positioning Belt, 2-Point Padded Med, 9"-15" Hip Width	\$86
<input type="checkbox"/> Pelvic Positioning Belt, 2-Point Padded, Lg, 13"-19" Hip Width	\$91
<input type="checkbox"/> Pelvic Positioning Belt, 4-Point Padded, Med, 9"-15" Hip Width	\$112
<input type="checkbox"/> Pelvic Positioning Belt, 4-Point Padded, Lg, 13"-19" Hip Width	\$116

BATTERY OPTIONS

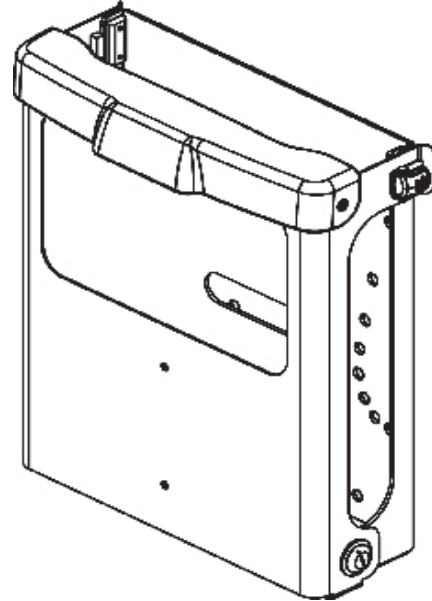
Description	Price
<input type="checkbox"/> NF-22, 50-Amp Batteries	
<input type="checkbox"/> Maintenance Free AGM	\$255 ea. E2361
<input type="checkbox"/> Maintenance Free Gel Cell (<i>Universal</i>)	\$295 ea. E2361
<input type="checkbox"/> Maintenance Free Gel Cell (<i>MK</i>)	\$295 ea. E2361
<i>Installation:</i>	
<input type="checkbox"/> Batteries Installed <input type="checkbox"/> Do Not Install	

FOOTNOTES

1. Includes mounting hardware. Not available on Manual Recliner.
2. Backpack may interfere w/ other rear accessories. Not available w/ contoured seating.
3. Not available with Synergy manual recline, includes mounting hardware.
4. Not Available With Cane Mounted Flip Up Arms

VENT TRAY (SYNERGY SEAT ONLY)

Description	Price	HCPCS Code
<input type="radio"/> Compact Vent Tray	\$1,395	
<i>The addition of a compact vent tray may increase the length & weight of your power chair.</i>		
Mounting Bracket:		
Bracket is pre-selected with TRU-Comfort Back		
<input type="radio"/> Flush		<input type="radio"/> 3" Offset ⁴ <input type="radio"/> 6" Offset
- Accommodates Pulmonetics LTV-style ventilators.		
- Max Vent Dim. 3.25" H x 10.5" W x 13.5" / 20 lbs.		
- Not Available with Shape Back or Sling Back.		
- Not available with rear mount accessories.		
- Not available on Synergy manual recline, Synergy manual tilt or with flip-down back canes.		

**TRANSIT KIT INFO****Q600****THIS SECTION MUST BE READ**

The Transit Securement Package, when used in conjunction with a **wheelchair in the specific configuration of a 18"x20" seat size, with 25" high back canes, Full-length height-adjustable single post armrests, Synergy back 25"h, and style 8 swing away legrests and extruded footplates and heel-loops**, conforms with the standard of ANSI/RESNA WC/Vol. 4, Section 19, for the purpose of enabling wheelchairs to be secured in certain types of motor vehicles. The Transit Securement Package, including manufacturer-installed front and rear securement brackets and pelvic belt anchoring brackets, has been crash tested in accordance with ANSI/RESNA WC/Vol. 4, Section 19, Frontal Impact Test, with a 168-lbs. (76.2 kg) surrogate occupant corresponding to a user weight range of 115 lbs. (52.16 kg) to 210 lbs. (95.25 kg). While the Transit Securement Package is compatible with additional seat sizes, optional components, and varied configurations, and provides designated securement points, Pride Mobility makes no claims that any other components or configurations have been tested beyond the above described ANSI/RESNA conforming configuration. Please refer to the Transit Securement Package supplement (**part number INFMANU3658**) for additional information.

RULES:

- All options are available when unoccupied.
- Notes when selecting occupied transit kit:
 - It is recommended that usable back height be 2" lower than shoulder height.
 - Available on Synergy Seat up to 20W x 20D
 - Power AFP, ALRs & ELRs are available on Synergy Seating
 - All legrests must have heel loops
 - Synergy manual seating is N/A
 - TRU-Balance Power Positioning seating, options and accessories are N/A
 - TRU-Comfort seat cushion is N/A
 - Contoured seating is N/A
 - Specialty seating is N/A
 - Vent option is N/A