

Quantum® R4000 Series

Group 3 Standard

Order Form

300 lbs. weight capacity



Account Number: _____

Provider Name: _____

Contact: _____

Phone: _____

Fax: _____

Date: _____

PO#: _____

Marked For: _____

Ship To: _____

Address: _____

City: _____ State: _____ Zip: _____

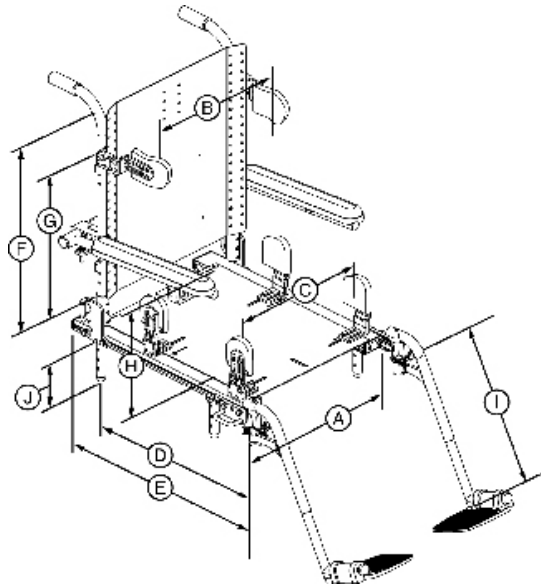
Discount: _____

Terms: _____

Freight: _____

Taken By: _____

SET-TO-SPEC*



Client Height: _____

Client Weight: _____

A. Seat Width: _____

B. Lateral Offset: _____

C. Hip/Thigh Lateral Offset: _____

D. Center of Gravity: *Optimized based on seat dimensions*

E. Seat Depth: _____

F. Back Height from Pan: _____

G. Lateral Height from Pan: _____

H. Armrest Height from Pan: _____

I. Rigging Length (whole numbers only): _____

J. Seat to Floor Height (circle one): _____

Seating System	Seat-To-Floor Heights		
	19.875"	20.875"	21.875"
Contoured Seating	19.875"	20.875"	21.875"
Specialty Seating	16.95"	17.95"	18.95"
Synergy® Seat	16.75"	17.75"	18.75"

** Seat to floor height are +/- 1/8" with 18"W x 18"D with Flat-Free tires (add 3/8" (0.375") for pneumatic tires) and 8" Casters (add 5/8" (0.625") for 9" casters). Increased widths may increase lowest seat to floor heights.*

Clinician Notes: _____

* While every effort will be taken to ensure items will be preset to your specifications prior to shipping, variations in options may effect final settings.

DME providers are responsible for determining appropriate billing codes when submitting for insurance reimbursement.

HCPCS codes should not be considered as legal advice. All prices are MSRP.

BASE MODEL

Description	Price	HCPCS Code
<input type="checkbox"/> Quantum R4000 3S-C	\$6,608	K0849
<input type="checkbox"/> Quantum R4000 3S-SS	\$6,608	K0848
<input type="checkbox"/> Quantum R4000 3SP-C <i>An SP-C describes a base with an alternative drive device with a captain's seat</i>	\$6,808	K0857

COLOR

- Candy Apple Red
- Viper Blue
- Sunburst Orange
- Onyx Black
- Silver
- Champagne

DRIVE WHEELS

Description	Price
<input type="checkbox"/> 14" Flat-Free <i>Rim Color:</i> <input type="checkbox"/> Black <input type="checkbox"/> Silver	Standard
<input type="checkbox"/> 14" Pneumatic <i>Rim Color:</i> <input type="checkbox"/> Black <input type="checkbox"/> Silver	No Charge
<input type="checkbox"/> 4" Wide Flat Free, Knobby, Extended-Traction Tires ¹	\$551
<input type="checkbox"/> 4" Wide Pneumatic, Knobby, Extended-Traction Tires ¹	\$551

FRONT CASTER WHEELS

Description	Price
<input type="checkbox"/> 9" Pneumatic (pair)	Standard
<input type="checkbox"/> 9" Flat-Free (pair)	\$105
<input type="checkbox"/> 8" Flat-Free (pair)	\$105

BATTERY CHARGER

Description	Price
<input type="checkbox"/> 8 Amp, Off-board Charger	Standard

MOTOR OPTIONS

Description	Price
<input type="checkbox"/> Standard Motor Package	Standard
<input type="checkbox"/> High Speed H2 (6MPH) Motor Package <i>Programmable Speed Up To 6MPH, 300 lbs. Weight Capacity. HS Motors decrease per-charge range.</i>	\$1,574
<input type="checkbox"/> High Speed Hammer (8MPH) Motor Package ² <i>Programmable Speed Up To 8 MPH, 300 lbs. Weight Capacity. HS Motors decrease per-charge range.</i>	\$1,574
<input type="checkbox"/> Community Use Package ¹ <i>Package Includes:</i> - 300 lbs. Weight Capacity - 4-Pole High Speed (6MPH) Motor Package - 4" Wide Flat Free or Pneumatic Knobby, Extended Traction Tires	\$2,125

LED LIGHT PACKAGE

Description	Price
<input type="checkbox"/> Through Q-Logic EX with Lights	\$995
<input type="checkbox"/> Through 9-Key VR2 with Lights	\$995

NON-EXPANDABLE CONTROLS

Description	Price
<input type="checkbox"/> PG VR2 70 amp <input type="checkbox"/> 1 Profile <input type="checkbox"/> Multiple Profile	No Charge
<input type="checkbox"/> PG 6-Key VR2 70 amp <input type="checkbox"/> 1 Profile <input type="checkbox"/> Multiple Profile	\$200 <i>Standard on 3SP- C Package</i>
<input type="checkbox"/> PG 9-Key VR2 w/ Lights 70 amp <input type="checkbox"/> 1 Profile <input type="checkbox"/> Multiple Profile	\$200

EXPANDABLE CONTROLS

Q-Logic EX Joystick or Enhanced Display must be ordered with a Q-Logic EX Controller and Harness For Expandable Controls

Description	Price	HCPCS Code
<input type="checkbox"/> 100 Amp Q-Logic EX Controller	\$695	E2377
<input type="checkbox"/> Harness For Expandable Controller	\$350	E2313
<input type="checkbox"/> Q-Logic EX Joystick	\$700	
<input type="checkbox"/> Q-Logic EX Joystick for Lights <i>Required For LED Light Package</i>	\$700	
<input type="checkbox"/> Q-Logic EX Standalone Joystick	\$700	E2373
<input type="checkbox"/> Q-Logic EX Enhanced Display ³ <i>w/ Bluetooth Mouse & IR Capability (KITASMB1678)</i> Includes: - Q-Logic EX Enhanced Display - Flexible Gooseneck - Enhanced Display Mounting Bracket	\$1,884.93	

PROGRAMMING

Description	Price
<input type="checkbox"/> Q-Logic Handheld Programmer	\$545
<input type="checkbox"/> Q-Logic PC Programming Cable with Disk	\$750
<input type="checkbox"/> P&G Handheld Programmer	\$423

JOYSTICK HANDLES

Description	Price	HCPCS Code
<input type="checkbox"/> Standard Knob	Standard	
<input type="checkbox"/> Mushroom Handle	\$71	E2323
<input type="checkbox"/> T-Bar	\$107	E2323
<input type="checkbox"/> Chin Cup	\$71	E2324 ⁵
<input type="checkbox"/> Extended I-Handle	\$71	E2323
<input type="checkbox"/> Soft Ball Handle	\$50	E2323
<input type="checkbox"/> Medium Ball Handle	\$50	E2323
<input type="checkbox"/> Bodypoint 3" Goal Post Handle	\$66	E2323
<input type="checkbox"/> Bodypoint 4" Goal Post Handle	\$66	E2323

FOOTNOTES

- Increases overall base width by 1.5" with Flat Free, 1.8" with Pneumatic.
- Requires Q-Logic EX.
- All mounting hardware is included in kit. See Specialty Electronics order form for additional mounting options and secondary controls. Bluetooth mouse emulator requires a run plug harness for either static or power seating. Additional fees will apply.
- Use HCPCS code E2323 when not used in conjunction with chin control.

JOYSTICK MOUNTING BRACKETS

Description	Price	HCPCS Code
<input type="checkbox"/> Fixed Inline ¹	Standard	
<input type="checkbox"/> Left <input type="checkbox"/> Right		
<input type="checkbox"/> Swing-away	\$210	E1028
<input type="checkbox"/> Left <input type="checkbox"/> Right		
<input type="checkbox"/> Inline <input type="checkbox"/> Offset		
<input type="checkbox"/> 4" Ext. <input type="checkbox"/> 7" Ext.		
<input type="checkbox"/> Multi-axis Fixed	\$100	K0108
<input type="checkbox"/> Left <input type="checkbox"/> Right		

CONTOURED SEATING

Medium Back:

Med-Back No Charge

Med-Back with Solid Seat Pan² No Charge

Seat Width:

16" 18"

Seat Depth:

16" 18"

Upholstery:

Black Vinyl Beige Vinyl Gray Fabric

Gray Vinyl Brown Fabric Brown Vinyl

High Back:

Limited Recline High-Back with Headrest No Charge

Limited Recline High-Back with Headrest & Solid Seat Pan² No Charge

Seat Width:

16" 18" 20"

Seat Depth:

16" 18" 20"

Upholstery:

Black Vinyl Beige Vinyl Gray Fabric

Gray Vinyl Brown Fabric

Armrests:

Flip-Up, Removable No Charge

Flip-Up, Height-Adjustable, Removable \$170 E0973

Armpads:

Left: Full Length Desk Length

Right: Full Length Desk Length

MANUAL RECLINER

Description	Price	HCPCS Code
<input type="checkbox"/> Manual Recliner High Back with Headrest	\$600	E1226
<input type="checkbox"/> Manual Recliner High Back with Headrest and Solid Seat Pan ²	\$600	E1226
Upholstery:		
<input type="checkbox"/> Beige Vinyl <input type="checkbox"/> Gray Vinyl		
Seat Width:		
<input type="checkbox"/> 16" <input type="checkbox"/> 18" <input type="checkbox"/> 20"		
Seat Depth:		
<input type="checkbox"/> 16" <input type="checkbox"/> 18" <input type="checkbox"/> 20"		
Armpads:		
Left: <input type="checkbox"/> Full Length <input type="checkbox"/> Desk Length		
Right: <input type="checkbox"/> Full Length <input type="checkbox"/> Desk Length		

SPECIALTY SEAT

Description	Price
<input type="checkbox"/> Specialty Seat Kit	No Charge
Seat Width:	
<input type="checkbox"/> 16" <input type="checkbox"/> 18" <input type="checkbox"/> 20"	
Seat Depth:	
<input type="checkbox"/> 16" <input type="checkbox"/> 17" <input type="checkbox"/> 18" <input type="checkbox"/> 19"	
<input type="checkbox"/> 20"	
Back Cane Height:	
<input type="checkbox"/> 18" <input type="checkbox"/> 20" <input type="checkbox"/> 22"	
Back Rest Height:	
<input type="checkbox"/> 18" <input type="checkbox"/> 19" <input type="checkbox"/> 20" <input type="checkbox"/> 21"	
<input type="checkbox"/> 22" <input type="checkbox"/> 23" <input type="checkbox"/> 24" <input type="checkbox"/> 25"	

SPECIALTY SEAT (cont.)

Description	Price	HCPCS Code
Armrests:		
<input type="checkbox"/> 2-Post, Fixed, Flip Back ³	No Charge	
<input type="checkbox"/> Flip-Back, Cane Mounted ³	\$95	
<input type="checkbox"/> Removable, Adjustable, Quick Height ⁴	\$275	E0973
<input type="checkbox"/> Removable, Single-Post, Fixed Height Adjustable Heavy Duty	\$150	E0973
<input type="checkbox"/> 8-12" Adjustment <input type="checkbox"/> 10-14" Adjustment		
Armpads:		
<input type="checkbox"/> Straight, Full Length (2"x14")	Standard	
<input type="checkbox"/> Left <input type="checkbox"/> Right		
<input type="checkbox"/> Straight, Desk Length (2"x10")	No Charge	
<input type="checkbox"/> Left <input type="checkbox"/> Right		
<input type="checkbox"/> Waterfall, Full Length (2"x14")	No Charge	
<input type="checkbox"/> Left <input type="checkbox"/> Right		
<input type="checkbox"/> Waterfall, Desk Length (2"x10")	No Charge	
<input type="checkbox"/> Left <input type="checkbox"/> Right		

SYNERGY® SEATING SYSTEMS

Description	Price	HCPCS Code
<input type="checkbox"/> Synergy Seating Frame	\$434	
<input type="checkbox"/> Synergy Manual Recline Package ^{5,6,7}	\$700	E1226
Seat Width:		
<input type="checkbox"/> 10" <input type="checkbox"/> 11" <input type="checkbox"/> 12" <input type="checkbox"/> 13" <input type="checkbox"/> 14"		
<input type="checkbox"/> 15" <input type="checkbox"/> 16" <input type="checkbox"/> 17" <input type="checkbox"/> 18" <input type="checkbox"/> 19"		
<input type="checkbox"/> 20"		
Seat Width Package:		
<input type="checkbox"/> 10"W-14"W <input type="checkbox"/> 14"W-18"W <input type="checkbox"/> 16"W-20"W		
Seat Depth:		
<input type="checkbox"/> 10" <input type="checkbox"/> 11" <input type="checkbox"/> 12" <input type="checkbox"/> 13" <input type="checkbox"/> 14"		
<input type="checkbox"/> 15" <input type="checkbox"/> 16" <input type="checkbox"/> 17" <input type="checkbox"/> 18" <input type="checkbox"/> 19"		
<input type="checkbox"/> 20"		
Seat Depth Package:		
<input type="checkbox"/> 10"D-14"D <input type="checkbox"/> 14"D-18"D <input type="checkbox"/> 16"D-20"D		
Back Cane Height:		
<input type="checkbox"/> 14" <input type="checkbox"/> 15" <input type="checkbox"/> 16" <input type="checkbox"/> 17"		
<input type="checkbox"/> 18" <input type="checkbox"/> 19" <input type="checkbox"/> 20" <input type="checkbox"/> 21"		
<input type="checkbox"/> 22" <input type="checkbox"/> 23" <input type="checkbox"/> 24" <input type="checkbox"/> 25"		
Back Rest Height:		
<input type="checkbox"/> 18" <input type="checkbox"/> 19" <input type="checkbox"/> 20" <input type="checkbox"/> 21"		
<input type="checkbox"/> 22" <input type="checkbox"/> 23" <input type="checkbox"/> 24" <input type="checkbox"/> 25"		

SYNERGY® BACK CANE OPTIONS

Description	Price
<input type="checkbox"/> Standard Back Canes <i>Not Applicable With Tru Comfort Back</i>	Standard
<input type="checkbox"/> Omit Push Handles	\$125
<input type="checkbox"/> Flip Forward Canes ⁸	\$150
<input type="checkbox"/> Omit Push Handles	\$125
<input type="checkbox"/> Offset (Meso) ⁹	\$195
<input type="checkbox"/> 2" (1" Per Side) <input type="checkbox"/> 4" (2" Per Side)	
<input type="checkbox"/> Inset (Endo) ⁹	\$195
<input type="checkbox"/> 2" (1" Per Side) <input type="checkbox"/> 4" (2" Per Side)	

FOOTNOTES

1. Not available with Q-logic EX Stand Alone Joystick.
2. Includes black vinyl seatpan. Back available in listed colors.
3. Interferes with swing-away laterals.
4. Height adjustable from 11"-17" in 1/2" increments.
5. Includes Removable, Quick Height Adjustable Armrests.
6. In iQuantum this option should be chosen under 'Depth Package Type' and also 'Back Cane Type'.
7. Requires Synergy Back not included.
8. Not available with Synergy Manual Recline, Bariatric Armpads, Sling Back or Flip-up Cane Mounted Arms. May interfere with lateral supports and waterfall armpads. Tru Comfort requires SOF.
9. Dual Post Flip-back Armrests interfere with offset canes.

SYNERGY® BACK OPTIONS

Description	Price	HCPCS Code
<input type="checkbox"/> Synergy Back with 1.5" Thick Back Cushion	\$275	
<i>Choose Lateral Extension:</i>		
<input type="checkbox"/> 10" (For Back Heights 18")	\$25	
<input type="checkbox"/> 12" (For Back Heights 19"-22")	\$25	
<input type="checkbox"/> 16" (For Back Heights 23"-25")	\$25	
<input type="checkbox"/> Synergy Shape Back Positioning Back	Various	E2613/E2614
<i>See Synergy Shape Back Order Form For Detailed Pricing, Sizes and Codes</i>		
<input type="checkbox"/> Sling Back	\$98	
<input type="checkbox"/> Omit Back	No Charge	

ARMRESTS

Description	Price	HCPCS Code
<input type="checkbox"/> Flip-back, Cane Mounted ¹	No Charge	
<input type="checkbox"/> 2-post, Flip-back, Height-adjustable, Removable ^{1,2}	\$300	E0973
<input type="checkbox"/> Single-post, Height-adjustable, Removable ³	\$150	E0973
<input type="checkbox"/> Quad Release Lever		
<input type="checkbox"/> Bariatric, Removable Height, Adjustable ⁴	\$150	E0973
<input type="checkbox"/> 8"H - 12"H <input type="checkbox"/> 10"H-14"H		
<input type="checkbox"/> Removable, Single-post, Height Adjustable, Heavy Duty	\$150	E0973
<input type="checkbox"/> 8"H - 12"H <input type="checkbox"/> 10"H-14"H		
<input type="checkbox"/> Pediatric, Removable ⁵	\$150	E0973
<i>Color:</i> <input type="checkbox"/> Match Shroud <input type="checkbox"/> Black		
<input type="checkbox"/> Quad Release Lever		
<input type="checkbox"/> Height Adjustable Cantilever Armrests ⁶	\$195	K0020
<i>Angle-Adjustable: - 30° through + 30°</i>		

ARMPADS

Description	Price	HCPCS Code
<input type="checkbox"/> Straight, Full Length (2"x14")	Standard	
<input type="checkbox"/> Left <input type="checkbox"/> Right		
<input type="checkbox"/> Straight, Desk Length (2"x10")	No Charge	
<input type="checkbox"/> Left <input type="checkbox"/> Right		
<input type="checkbox"/> Waterfall, Full Length (2"x14")	No Charge	
<input type="checkbox"/> Left <input type="checkbox"/> Right		
<input type="checkbox"/> Waterfall, Desk Length (2"x10")	No Charge	
<input type="checkbox"/> Left <input type="checkbox"/> Right		
<input type="checkbox"/> Falcon Gel, Full Length, (3.5"x14")	\$150 pr.	
<input type="checkbox"/> Left <input type="checkbox"/> Right		
<input type="checkbox"/> Falcon Gel, Desk Length, (3.5"x10")	\$115 pr.	
<input type="checkbox"/> Left <input type="checkbox"/> Right		
<input type="checkbox"/> Flat Bariatric ⁴	No Charge	
<input type="checkbox"/> Left <input type="checkbox"/> Right		

JOYSTICK MOUNTING BLOCKS

Description	Price	HCPCS Code
<input type="checkbox"/> Quick Disconnect ⁷	No Charge	
<input type="checkbox"/> Vertical Adjustment Clamp	\$95	K0108
<input type="checkbox"/> Figure 8 style (For use with waterfall armpads)	No Charge	

TRU-COMFORT™ SEATING

Description	Price	HCPCS Code
<i>Please refer to TRU-Comfort Cushion and TRU-Comfort Back order forms for detailed pricing, sizes and codes.</i>		
TRU-Comfort™ Back Cushion		
<input type="checkbox"/> 16" W <input type="checkbox"/> 18" W <input type="checkbox"/> 20" W	\$595	E2620
Back Height: ⁸		
<input type="checkbox"/> 22" H <input type="checkbox"/> 25" H	No Charge	
Cover:		
<input type="checkbox"/> Standard <i>Allure leather-like cover</i>		
<input type="checkbox"/> Plus <i>4-way stretch material cover</i>		
TRU-Comfort™ Seat Cushion <i>General Use</i>		
<i>Includes Allure leather-like cover</i>		
<input type="checkbox"/> 16" x 16" - 20" x 18"	\$380	E2601
<input type="checkbox"/> 20" x 20"	\$380	E2601
TRU-Comfort™ Plus Seat Cushion <i>Skin Protection</i>		
<i>Includes 4-way stretch material cover</i>		
<input type="checkbox"/> 16" x 16" - 20" x 18"	\$380	E2603
<input type="checkbox"/> 20" x 20"	\$380	E2603

HEADRESTS

Description	Price	HCPCS Code
<input type="checkbox"/> No Headrest Required		
TRU-Comfort™ Headrest⁹		
<input type="checkbox"/> 8" W Leatherette	\$205	E0955
<input type="checkbox"/> 8" W TRU-Comfort Plus	\$205	E0955
<input type="checkbox"/> 10" W Leatherette	\$205	E0955
<input type="checkbox"/> 10" W TRU-Comfort Plus	\$205	E0955
<input type="checkbox"/> Removable Headrest Bracket ¹⁰	\$210	E1028
Stealth		
<input type="checkbox"/> Small (9.75"W x 3"H)	\$205	E0955
<input type="checkbox"/> Large (11"W x 6"H)	\$205	E0955
<input type="checkbox"/> Pediatric Comfort Plus (6"W)	\$205	E0955
<input type="checkbox"/> Small Comfort Plus (10"W)	\$205	E0955
<input type="checkbox"/> Large Comfort Plus (14"W)	\$205	E0955
<input type="checkbox"/> Removable Headrest Bracket ¹⁰	\$210	E1028
<input type="checkbox"/> Swing-away (Flip-down) Headrest Bracket	\$210	E1028
<i>Used in Addition to Removable Headrest Bracket</i>		
Medical Applications		
<input type="checkbox"/> Small (9.75"W x 3"H)	\$230	E0955
<input type="checkbox"/> Large (11"W x 6"H)	\$230	E0955
<input type="checkbox"/> Removable Headrest Bracket ¹⁰	\$210	E1028
Aftermarket Bracket		
<input type="checkbox"/> Removable Bracket for Aftermarket Headrest	\$210	E1028

NON-POWERED LEGRESTS

Description	Price	HCPCS Code
<input type="checkbox"/> Swing-away Legrests ¹¹	Standard	
<input type="checkbox"/> 70° <input type="checkbox"/> 80°		
<input type="checkbox"/> Straight <input type="checkbox"/> Tapered (70° only)		
<input type="checkbox"/> Standard Extruded Footplates	No Charge	
<i>Standard Extruded Extensions:</i>		
<input type="checkbox"/> 11"-13" <input type="checkbox"/> 13"-16.5" <input type="checkbox"/> 15.5"-19.5"		
<i>Standard Extruded Footplates:</i>		
<input type="checkbox"/> 7.25" x 6" <input type="checkbox"/> 8.5" x 6"		
<input type="checkbox"/> Angle-Adjustable Footplates ¹²	\$150	K0040
<i>Angle Adjustable Extensions:</i>		
<input type="checkbox"/> 11"-13" <input type="checkbox"/> 13"-16.5" <input type="checkbox"/> 15.5"-19.5"		
<i>Angle-Adjustable Footplates:</i>		
<input type="checkbox"/> 4" x 6" <input type="checkbox"/> 5" x 6" <input type="checkbox"/> 5" x 8"		
<input type="checkbox"/> 6" x 8" ¹³ <input type="checkbox"/> 6" x 11" ¹³ <input type="checkbox"/> 8" x 11" ¹⁴		
<input type="checkbox"/> Multi-Axis Footplates ¹²	\$495	K0040
<i>Multi-Axis Extensions:</i>		
<input type="checkbox"/> 11"-16.5" <input type="checkbox"/> 15.5"-19.5"		
<i>Multi-Axis Footplates:</i>		
<input type="checkbox"/> 4" x 6" <input type="checkbox"/> 5" x 6" <input type="checkbox"/> 5" x 8"		
<input type="checkbox"/> 6" x 8" ¹³ <input type="checkbox"/> 6" x 11" ¹³ <input type="checkbox"/> 8" x 11" ¹⁴		
<input type="checkbox"/> High Mount, Clamp-On Footrest		
<input type="checkbox"/> Angle Adjustable		
<input type="checkbox"/> Small, 4" x 7.75" <input type="checkbox"/> Large, 4.25" x 9.25" \$326 K0040		
<input type="checkbox"/> Multi-Axis		
<input type="checkbox"/> Small, 4" x 7.75" <input type="checkbox"/> Large, 4.25" x 9.25" \$412 K0040		

FOOTNOTES

- Interferes with swing-away laterals.
- Height adjustable from 9"-13" in 1" increments.
- Height adjustable from 11"-17" in 1/2" increments .
- Bariatric Arms and Bariatric Armpads must be used together. Available only on a Synergy Seat.
- Height adjustable from 7.75"-9.75" in 1/2" increments. Not available with Full Length Armpads.
- Height adjustment from 11-17" depends on cane height. Not available with Manual Recline, Flip Forward back canes, Cane Clamp Pushbar, & Shape Back. Call for details when selecting aftermarket arm troughs or Universal Swivel.
- Not available with waterfall armpads.
- TRU-Comfort Back Height is measured from the top of a 3" seat cushion.
- TRU-Comfort™ Headrests are measured at the front of the pad.
- When headrest pad is chosen i-Quantum automatically selects Removable Headrest Bracket.
- Extensions measured from top of seatpan to footplate.
- Standard with Heel Loops.
- Only available on seats 18"W or wider.
- Only available on seats 20"W or wider.

NON-POWERED LEGRESTS (cont).

Description	Price	HCPCS Code
<input type="checkbox"/> Heavy Duty Drop-In Legrests^{1,2}	\$420	
<input type="checkbox"/> 70° <input type="checkbox"/> 80°		
<input type="checkbox"/> Angle Adjustable Footplates ³	\$150	K0040
Angle Adjustable Extension Length:		
<input type="checkbox"/> 12"-14.5" <input type="checkbox"/> 14.5" -18"		
Angle Adjustable Footplate Size:		
<input type="checkbox"/> 4" x 6" <input type="checkbox"/> 5" x 6" <input type="checkbox"/> 5" x 8"		
<input type="checkbox"/> 6" x 8" ⁴ <input type="checkbox"/> 6" x 11" ⁴ <input type="checkbox"/> 8" x 11" ⁵		
<input type="checkbox"/> Elevating Legrests¹	\$325	E0990
<input type="checkbox"/> Standard Footplates		
Standard Extruded Extension Length:		
<input type="checkbox"/> 11"-14" <input type="checkbox"/> 14"-17"		
Standard Extruded Footplate Size:		
<input type="checkbox"/> 7.25" x 6" <input type="checkbox"/> 8.5" x 6"		
Calf Pad Adjustment:		
<input type="checkbox"/> 1 Hole <input type="checkbox"/> 3 Hole <input type="checkbox"/> 6 Hole		
<input type="checkbox"/> Angle Adjustable Footplates ³	\$150	K0040
Angle Adjustable Extension Length:		
<input type="checkbox"/> 12"-14.5" <input type="checkbox"/> 14.5" -18"		
Angle Adjustable Footplate Size:		
<input type="checkbox"/> 4" x 6" <input type="checkbox"/> 5" x 6" <input type="checkbox"/> 5" x 8"		
<input type="checkbox"/> 6" x 8" ⁴ <input type="checkbox"/> 6" x 11" ⁴ <input type="checkbox"/> 8" x 11" ⁵		
Calf Pad Adjustment:		
<input type="checkbox"/> 1 Hole <input type="checkbox"/> 3 Hole <input type="checkbox"/> 6 Hole		
<input type="checkbox"/> 90° Pediatric Swing-Away Legrests^{1,3}	No Charge	
Angle Adjustable Extension Length:		
<input type="checkbox"/> 7"-10"		
Angle Adjustable Footplate Size:		
<input type="checkbox"/> 4" x 6" <input type="checkbox"/> 5" x 6"		

ELECTRONICS FOR POWER LEGRESTS

Description	Price	HCPCS Code
<i>This Option Is Automatically Selected In i-Quantum</i>		
<input type="checkbox"/> Dual Actuator Through NE+ 6-Key	\$2,375	E2311
<input type="checkbox"/> Multiple Actuator Through Q-Logic EX	\$2,375	E2311

POWER ELEVATING LEGRESTS

Description	Price	HCPCS Code
<input type="checkbox"/> Articulating Swing-Away Legrests, 4" Articulation Range²	\$2,395	E1010
<input type="checkbox"/> 70° <input type="checkbox"/> 80°		
<input type="checkbox"/> Quad Release Lever		
Calf Pads ⁶ :		
<input type="checkbox"/> 6" x 5.35" <input type="checkbox"/> 8" x 5.86"		
Angle Adjustable Extension Length ¹ :		
<input type="checkbox"/> 11"-13" <input type="checkbox"/> 14.5"-18"		
Angle Adjustable Footplate Size:		
<input type="checkbox"/> 4" x 6" <input type="checkbox"/> 5" x 6" <input type="checkbox"/> 5" x 8"		
<input type="checkbox"/> 6" x 8" ⁴ <input type="checkbox"/> 6" x 11" ⁴ <input type="checkbox"/> 8" x 11" ⁵		
Operational Method:		
<input type="checkbox"/> Independent <input type="checkbox"/> Combined		
<input type="checkbox"/> Articulating Drop-In Legrests²	\$2,395	E1010
<input type="checkbox"/> 70° <input type="checkbox"/> 80°		
<input type="checkbox"/> 4" Range <input type="checkbox"/> 6" Range		
Calf Pads ⁶ :		
<input type="checkbox"/> 6" x 5.35" <input type="checkbox"/> 8" x 5.86"		
Angle Adjustable Extension Length ¹ :		
<input type="checkbox"/> 12"-14.5" <input type="checkbox"/> 14.5"-18"		
Angle Adjustable Footplate Size:		
<input type="checkbox"/> 4" x 6" <input type="checkbox"/> 5" x 6" <input type="checkbox"/> 5" x 8"		
<input type="checkbox"/> 6" x 8" ⁴ <input type="checkbox"/> 6" x 11" ⁴ <input type="checkbox"/> 8" x 11" ⁵		
Operational Method:		
<input type="checkbox"/> Independent <input type="checkbox"/> Combined		

FOOT RIGGING ACCESSORIES

Description	Price	HCPCS Code
<input type="checkbox"/> Wheel Bumpers ⁷	\$25	
<input type="checkbox"/> Heel Loops (pair) ⁸	\$38	E0951
<input type="checkbox"/> Gel Neoprene Footrest Sleeve (pair) ⁹	\$65	K0108
<input type="checkbox"/> ELR/ALR Adductor Buttons (pair)	\$100	K0108
<input type="checkbox"/> POSAlinc Knee Adductor for Swing-Away Legrests (pair)	\$464	K0108

FOOT RIGGING ACCESSORIES (cont).

Description	Price	HCPCS Code
<input type="checkbox"/> POSAlinc Rail Mounted Knee Adductor (pair)	\$464	K0108
<input type="checkbox"/> Residual Limb Support	\$300	E1020
<input type="checkbox"/> Left <input type="checkbox"/> Right		
<input type="checkbox"/> Ankle Huggers (pair)	\$126	K0108
<input type="checkbox"/> Small <input type="checkbox"/> Medium		

SYNERGY® CUSHIONS

Description	Price	HCPCS Code
<input type="checkbox"/> No Cushion Required		
<i>Please refer to Synergy order forms for detailed pricing, sizes and codes.</i>		
Simplicity Cushion <i>General Use</i>		
<input type="checkbox"/> 16" x 16" - 20" x 20"	\$98	E2601
Solution® 1 Cushion <i>Skin Protection</i>		
<input type="checkbox"/> 14" x 14" - 20" x 18"	\$380	E2603
<input type="checkbox"/> 20" x 20" - 20" x 20"	\$430	E2603
Solution® Cushion <i>Skin Protection & Positioning</i>		
<input type="checkbox"/> 10" x 10" - 20" x 18"	\$380	E2607
<input type="checkbox"/> 20" x 20" - 20" x 20"	\$430	E2607
Spectrum® Gel Cushion <i>Positioning</i>		
<input type="checkbox"/> 12" x 10" - 20" x 19"	\$480	E2605
<input type="checkbox"/> 20" x 20" - 20" x 20"	\$530	E2605
Spectrum® Visco Cushion <i>Skin Protection & Positioning</i>		
<input type="checkbox"/> 10" x 10" - 20" x 18"	\$480	E2607
<input type="checkbox"/> 20" x 20" - 20" x 20"	\$530	E2607
Spectrum Air® <i>Adjustable Skin Protection</i>		
<input type="checkbox"/> 14" x 12" - 20" x 20"	\$480	E2622
Spectrum Air Contour® <i>Adjustable Skin Protection & Positioning</i>		
<input type="checkbox"/> 14" x 12" - 20" x 20"	\$499	E2624

LATERALS

Description	Price	HCPCS Code
<input type="checkbox"/> Stealth Thoracic Laterals (pair)		
Bracket:		
<input type="checkbox"/> 125° Swing-Away Bracket ¹⁰	\$450	E1028
<i>(For Use with TRU-Comfort)</i>		
<input type="checkbox"/> Swing-Away, Rail Mount Bracket ¹⁰	\$450	E1028
<i>(For Use with Synergy Back)</i>		
Pad:		
<input type="checkbox"/> Flat Pad, 3" x 5", Leather-Like Cover	\$200	E0956
<input type="checkbox"/> Flat Pad, 4" x 6", Leather-Like Cover	\$200	E0956
<input type="checkbox"/> Curved Pad, 2" x 3", 4-Way Stretch Cover	\$200	E0956
<input type="checkbox"/> Curved Pad, 3" x 5", 4-Way Stretch Cover	\$200	E0956
<input type="checkbox"/> Curved Pad, 4" x 6", 4-Way Stretch Cover	\$200	E0956
<input type="checkbox"/> Stealth Pelvic/Thigh Laterals		
Side:		
<input type="checkbox"/> Left Side <input type="checkbox"/> Right Side		
Bracket:		
<input type="checkbox"/> Removable Bracket (ea.)	\$250	E1028
<input type="checkbox"/> Flip Down Bracket (ea.)	\$225	E1028
Pad:		
<input type="checkbox"/> Short Pad, 4" x 4" (ea.)	\$90	E0956
<input type="checkbox"/> Medium Pad, 4" x 8" (ea.)	\$90	E0956
<input type="checkbox"/> Long Pad, 4" x 12" (ea.)	\$90	E0956

FOOTNOTES

- Extensions measured from top of seatpan to footplate.
- Available only on a Synergy Seat.
- Includes heel loops.
- Requires seat width 18" or greater.
- Requires seat width 20".
- Calf pads are selected in the Rigging Accessory section of i-Quantum.
- Standard on Power Elevating Legrests.
- Standard with angle adjustable footplates.
- Available only with swing-away legrests.
- Swing-away laterals interfere with flip-up arms.

MISCELLANEOUS POSITIONING COMPONENTS

Clinician Notes:

Description	Price	HCPCS Code
<input type="checkbox"/> Therafin Flip-down Knee Abductor Bracket	\$190	E1028
<i>Pad:</i>		
<input type="checkbox"/> Small <input type="checkbox"/> Medium <input type="checkbox"/> Large	\$125	E0957
<input type="checkbox"/> Stealth Shoe Boxes (pair)	\$475	K0108
<input type="checkbox"/> Small <input type="checkbox"/> Medium <input type="checkbox"/> Large		
<input type="checkbox"/> Stealth Padded Shoe Holders (pair)	\$166	K0108
<input type="checkbox"/> Small <input type="checkbox"/> Medium <input type="checkbox"/> X-Large		
<input type="checkbox"/> Otto Bock Arm Channels (ea.)	\$102	E2209
<i>Side:</i>		
<input type="checkbox"/> Left <input type="checkbox"/> Right		
<i>Size:</i>		
<input type="checkbox"/> Small <input type="checkbox"/> Medium <input type="checkbox"/> Large		
<input type="checkbox"/> Otto Bock Flat Hand Pad (ea.)	\$51	
<i>Side:</i>		
<input type="checkbox"/> Left <input type="checkbox"/> Right		
<i>Size:</i>		
<input type="checkbox"/> Medium <input type="checkbox"/> Large		

Please see positioning components order form for additional types, sizes and details.

ACCESSORIES

Description	Price	HCPCS Code
<input type="checkbox"/> Rear Basket ¹	\$103	
<input type="checkbox"/> Cane/Crutch Holder ¹	\$98	E2207
<input type="checkbox"/> Weather Cover, Medium, Black	\$158	
<input type="checkbox"/> Cup Holder	\$17	
<i>Side:</i>		
<input type="checkbox"/> Left <input type="checkbox"/> Right		
<input type="checkbox"/> Saddle Bag	\$28	
<input type="checkbox"/> Flag Holder	\$17	
<input type="checkbox"/> Quantum Backpack ²	\$60	
<input type="checkbox"/> Oxygen Holder <i>Contoured Seating</i> ¹	\$103	E2208
<input type="checkbox"/> Oxygen Holder <i>Synergy Seat</i> ³	\$150	E2208
<input type="checkbox"/> Walker Holder ¹	\$92	K0108
<input type="checkbox"/> Stroller Handle <i>Manual Tilt Only</i>	\$85	

LAP BELTS

Description	Price
<input type="checkbox"/> 38" Lap Belt ¹	Standard
<input type="checkbox"/> 50" Lap Belt ¹	Standard
<input type="checkbox"/> 60" Lap Belt	Standard
<input type="checkbox"/> 60" Non-Retractable (Sure-Lok)	
<input type="checkbox"/> 70" Lap Belt	Standard
<input type="checkbox"/> 80" Lap Belt	Standard
<input type="checkbox"/> 90" Lap Belt	Standard
<input type="checkbox"/> Pelvic Positioning Belt, 2-Point Padded Med, 9"-15" Hip Width	\$86
<input type="checkbox"/> Pelvic Positioning Belt, 2-Point Padded, Lg, 13"-19" Hip Width	\$91
<input type="checkbox"/> Pelvic Positioning Belt, 4-Point Padded, Med, 9"-15" Hip Width	\$112
<input type="checkbox"/> Pelvic Positioning Belt, 4-Point Padded, Lg, 13"-19" Hip Width	\$116

BATTERY OPTIONS

Description	Price	HCPCS Code
<input type="checkbox"/> Group 24, 70 Amp, Gel (<i>Universal</i>)	\$352 ea.	E2363
<input type="checkbox"/> Group 24, 70 Amp, Gel (<i>MK</i>)	\$352 ea.	E2363
<input type="checkbox"/> Group 34, 60-Amp Gel	\$330 ea.	K0108
<i>Installation:</i>		
<input type="checkbox"/> Batteries Installed <input type="checkbox"/> Do Not Install		

FOOTNOTES

1. Includes mounting hardware. Not available with Manual Recliner
2. Backpack may interfere w/ other rear accessories. Not available w/ contoured seating.
3. Not available with Synergy manual recline, includes mounting hardware.