



4FRONT

PRODUCT SPECIFICATIONS SHEET

Class of Use	B (Group 3)
Weight Capacity	300 lbs. (136 kg/21 stone 6 lbs.)
Maximum Speed ¹	Up to 6 mph (9.6 km/h) Up to 4 mph (6.4 km/h) only United Kingdom Up to 3.2 mph (5.1 km/h) with 10-in. lift
Ground Clearance ²	1.9 in. (48 mm) at anti-tip wheels (occupied) 2.6 in. (67 mm) at motor pivot (occupied) 3.75 in. (95.25 mm) at battery tray (occupied)
Turning Radius ²	24.5 in. (622.5 mm)
Overall Size ^{2, 6}	Length: 45.7 in. (1162 mm) with front riggings 39.9 in. (1014 mm) without front riggings Width: 24.2 in. (616 mm)
Drive Wheels	14 in. (355.6 mm), flat free
Caster Wheels	9 in. (228.6 mm), flat free
Anti-tip Wheels	4 in. (101.6 mm), flat free
Suspension	SRS (Smooth Ride Suspension)
Range ^{1, 4}	Up to 16.34 miles (26.3 km) with Group 24 batteries Up to 14.3 miles (23 km) with Group 34 batteries
Component Weights ⁵	Base: 140 lbs. (63.5 kg) Batteries: Group 24: 51.5 lbs. (23.36 kg) each (standard) Group 34: 38.5 lbs. (17.46 kg) each (optional)
Drivetrain	Two motor, front-wheel drive
Brakes	"Intelligent Braking" electronic regenerative, disc park brake
Batteries ³	Two 12 volt, deep-cycle Group 24: 73 Ah (standard); Group 34: 60 Ah (optional)
Battery Charger	8 amp, off-board
Freewheel Operational Force	Less than 60 N
Drive Control Operational Force	Less than 5 N
Maximum Rated Slope	7.5° (13.2%)
Maximum Obstacle Climbing Ability (Ascending and Descending)	3.34 in. (85 mm)
Measured Sound Level (A-weighted)	Less than 65 dB

¹ Varies with base model, user weight, terrain type, battery amp hour rating (Ah), battery charge, battery condition, motors, controller type, tire type, and tire condition. This specification is subject to a variance of +10%, -5%.

² Due to manufacturing tolerances and continued product improvement, this specification can be subject to a variance of (+ or -) 3%.

³ AGM or Gel-Cell type required. See "Batteries and Charging."

⁴ Tested in accordance with ANSI/RESNA, WC Vol. 2, Section 4 & ISO 7176-4 standards. Results derived from theoretical calculations based on battery specifications and drive system performance. Test conducted at maximum weight capacity.

⁵ Battery weight may vary based on manufacturer.

⁶ Dimensions listed are for power base only. Overall measurements will vary based on seating and accessory selections.

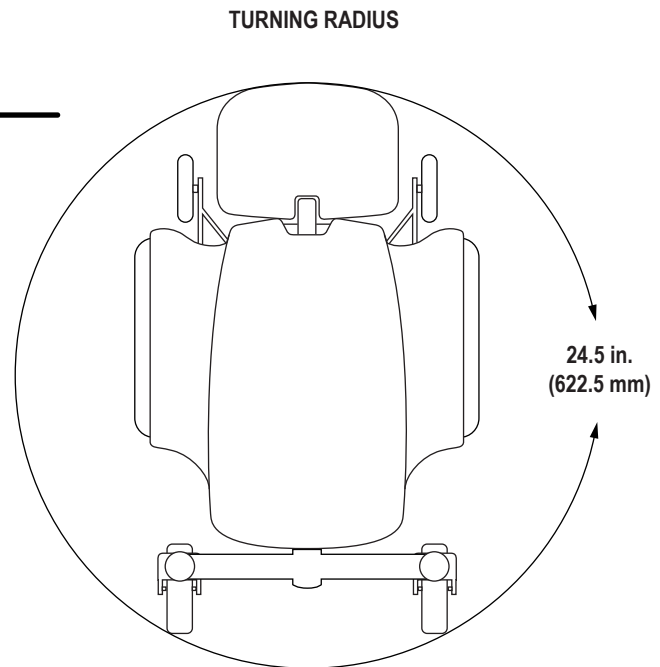
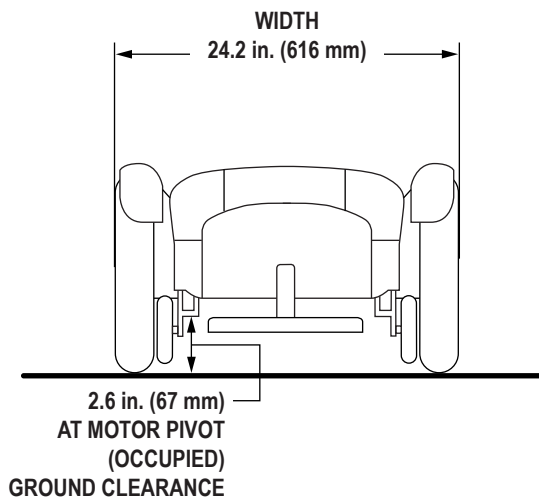
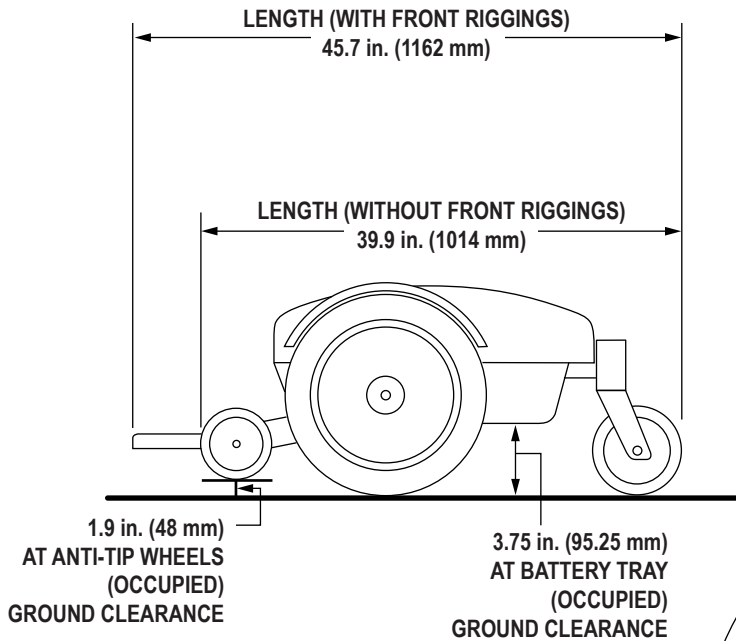
NOTE: This product conforms to all applicable ANSI/RESNA, ISO 7176 Series, AS/NZS 3695.2, and EN12184 standards. All specifications subject to change without notice.

Rev C/October 2017



Q4FRONT

PRODUCT SPECIFICATIONS SHEET



Rev C/October 2017

