

**Quantum® 600 XL (HD)Series**

Group 3 Heavy Duty

Order Form

400 lbs. weight capacity



Account Number: \_\_\_\_\_

Provider Name: \_\_\_\_\_

Contact: \_\_\_\_\_

Phone: \_\_\_\_\_

Fax: \_\_\_\_\_

Date: \_\_\_\_\_

PO#: \_\_\_\_\_

Marked For: \_\_\_\_\_

Ship To: \_\_\_\_\_

Address: \_\_\_\_\_

City: \_\_\_\_\_ State: \_\_\_\_\_ Zip: \_\_\_\_\_

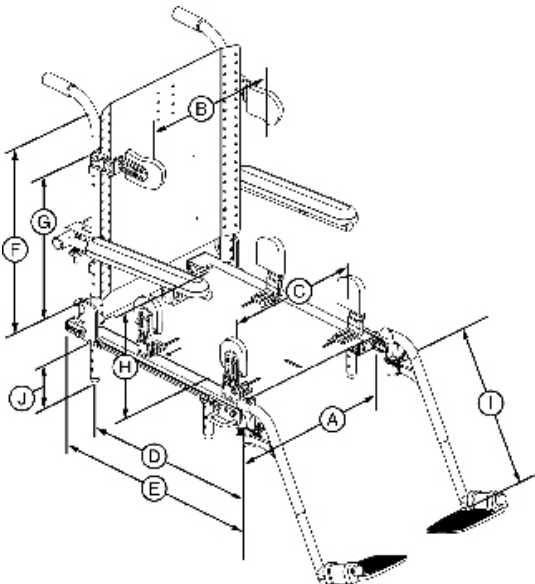
Discount: \_\_\_\_\_

Terms: \_\_\_\_\_

Freight: \_\_\_\_\_

Taken By: \_\_\_\_\_

**SET-TO-SPEC\***



**Please supply patient information for optimal setup prior to shipping.**

Client Height: \_\_\_\_\_

Client Weight: \_\_\_\_\_

A. Seat Width: \_\_\_\_\_

B. Lateral Offset: \_\_\_\_\_

C. Hip/Thigh Lateral Offset: \_\_\_\_\_

D. Center of Gravity: *Optimized based on seat dimensions*

E. Seat Depth: \_\_\_\_\_

F. Back Height from Pan: \_\_\_\_\_

G. Lateral Height from Pan: \_\_\_\_\_

H. Armrest Height from Pan: \_\_\_\_\_

I. Rigging Length (whole numbers only): \_\_\_\_\_

J. Seat to Floor Height (circle one): \_\_\_\_\_

Seating System	Low	Middle	Tall
Contoured Seating	21"	22"	23"
Synergy® Seat	17"	18"	19"

*Seat to floor height are +/- 1/8" with 18"W x 18"D with Flat-Free tires (add 3/8" for pneumatic tires). Increased widths may increase lowest seat to floor heights.*

Clinician Notes: \_\_\_\_\_

\_\_\_\_\_  
 \_\_\_\_\_  
 \_\_\_\_\_  
 \_\_\_\_\_

\* While every effort will be taken to ensure items will be preset to your specifications prior to shipping, variations in options may effect final settings.

*DME providers are responsible for determining appropriate billing codes when submitting for insurance reimbursement.*

*HCPCS codes should not be considered as legal advice. All prices are MSRP.*

**BASE MODEL**

Description	Price	HCPCS Code
<input type="checkbox"/> Quantum 600XL (HD) 3HD-C	\$7,021	K0851
<input type="checkbox"/> Quantum 600XL (HD) 3HD-SS	\$7,021	K0850
<input type="checkbox"/> Quantum 600XL (HD) 3SPHD-C	\$7,221	K0859

**COLOR**

**Metallic Colors:**

- Champagne
- Candy Apple Red
- Viper Blue
- Onyx Black
- Sunburst Orange
- Pearl Pink
- Pewter
- Silver
- Emerald Green
- Graphite Blue
- Sapphire Blue

**Solid Colors:**

- Mariner Blue
- Cardinal Red
- Spring Green
- Solar Yellow
- Violet
- Kelly Green

**BASE MOUNTED FOOT PLATFORM**

Description	Price
<input type="checkbox"/> No Base Mounted Front Platform	No Charge
<input type="checkbox"/> Base Mounted Foot Platform	Standard

**DRIVE WHEELS**

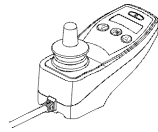
Description	Price
<input type="checkbox"/> 14" Flat-Free	Standard
<input type="checkbox"/> 4" Wide Flat Free, Knobby, Extended-Traction Tires <sup>1</sup> (Available Thru SOF)	\$551

**BATTERY CHARGER**

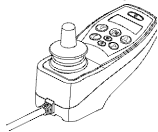
Description	Price
<input type="checkbox"/> 8 Amp, Off-board Charger	Standard

**NON-EXPANDABLE CONTROLS**

Description	Price
<input type="checkbox"/> 75 Amp NE	Standard



- 75 Amp NE+ 6-Key For Up To 2 Actuators Thru Joystick **\$200**  
*Standard on 3SPHD-C Package*



**FOOTNOTES**

1. Increases overall base width by 1.5".
2. All mounting hardware is included in kit. See Specialty Electronics order form for additional mounting options and secondary controls. Bluetooth mouse emulator requires a run plug harness for either static or power seating. Additional fees will apply.
3. Works with Q-Logic EX and NE+ only.
4. Use code E2323 when not used in conjunction with a chin control.
5. Not available with Q-logic EX Stand Alone Joystick.

**EXPANDABLE CONTROLS**

**Q-Logic EX Joystick or Enhanced Display must be ordered with a Q-Logic EX Controller and Harness For Expandable Controls**

Description	Price	HCPCS Code
<input type="checkbox"/> 100 Amp Q-Logic EX Controller	\$695	E2377
<input type="checkbox"/> Harness For Expandable Controller	\$350	E2313
<input type="checkbox"/> Q-Logic EX Joystick	\$700	
<input type="checkbox"/> Q-Logic EX Joystick for Lights <i>Required For LED Light Package</i>	\$700	
<input type="checkbox"/> Q-Logic EX Standalone Joystick	\$700	E2373
<input type="checkbox"/> Q-Logic EX Enhanced Display <sup>2</sup> <i>w/ Bluetooth Mouse &amp; IR Capability (KITASMB1678)</i> Includes: - Q-Logic EX Enhanced Display - Flexible Gooseneck - Enhanced Display Mounting Bracket	\$1,884.93	

**PROGRAMMING**

Description	Price
<input type="checkbox"/> Q-Logic Handheld Programmer	\$545
<input type="checkbox"/> Q-Logic PC Programming Cable with Disk <sup>3</sup>	\$750

**JOYSTICK HANDLES**

Description	Price	HCPCS Code
<input type="checkbox"/> Standard Knob	Standard	
<input type="checkbox"/> Mushroom Handle	\$71	E2323
<input type="checkbox"/> T-Bar	\$107	E2323
<input type="checkbox"/> Chin Cup	\$71	E2324 <sup>4</sup>
<input type="checkbox"/> Extended I-Handle	\$71	E2323
<input type="checkbox"/> Soft Ball Handle	\$50	E2323
<input type="checkbox"/> Medium Ball Handle	\$50	E2323
<input type="checkbox"/> Bodypoint 3" Goal Post Handle	\$69	E2323
<input type="checkbox"/> Bodypoint 4" Goal Post Handle	\$69	E2323

**JOYSTICK MONTING BRACKETS**

Description	Price	HCPCS Code
<i>Comes Standard with a Quick Release, Adjustable-Height Joystick Block</i>		
<input type="checkbox"/> Fixed Inline <sup>5</sup>	Standard	
<input type="checkbox"/> Left		<input type="checkbox"/> Right
<input type="checkbox"/> Swing-away	\$210	E1028
<input type="checkbox"/> Left		<input type="checkbox"/> Right
<input type="checkbox"/> Inline		<input type="checkbox"/> Offset
<input type="checkbox"/> 4" Ext.		<input type="checkbox"/> 7" Ext.
<input type="checkbox"/> Multi-axis Fixed	\$100	K0108
<input type="checkbox"/> Left		<input type="checkbox"/> Right

**CONTOURED SEATING**

**Medium Back:**

- Med-Back No Charge
- Med-Back with Solid Seat Pan<sup>1</sup> No Charge

**Seat Width:**

- 16"  18"

**Seat Depth:**

- 16"  18"

**Upholstery:**

- Black Vinyl  Beige Vinyl  Gray Fabric
- Gray Vinyl  Brown Fabric  Brown Vinyl

**High Back:**

- High-Back with Headrest No Charge
- High-Back with Headrest & Solid Seat Pan<sup>1</sup> No Charge

**Seat Width<sup>2</sup>:**

- 16"  18"  20"  22"  24"

**Seat Depth:**

- 16"  18"  20"  22"  24"

**Upholstery:**

- Black Vinyl  Beige Vinyl  Gray Fabric
- Gray Vinyl  Brown Fabric

**Armrests:**

- Flip-Up, Removable No Charge
- Flip-Up, Height-Adjustable, Removable \$85 ea. E0973

**Armpads:**

- Left:  Full Length  Desk Length
- Right:  Full Length  Desk Length

**MANUAL RECLINER**

Description	Price	HCPCS Code
<input type="checkbox"/> Manual Recliner High Back with Headrest	\$600	E1226
<input type="checkbox"/> Manual Recliner High Back with Headrest and Solid Seat Pan <sup>1</sup>	\$600	E1226

**Upholstery:**

- Beige Vinyl  Gray Vinyl

**Seat Width:**

- 16"  18"  20"

**Seat Depth:**

- 16"  18"  20"

**Armpads:**

- Left:  Full Length  Desk Length
- Right:  Full Length  Desk Length

**SYNERGY® SEATING SYSTEMS**

Description	Price
<input type="checkbox"/> Synergy Seating Frame	\$434
<b>Seat Width:</b>	
<input type="checkbox"/> 10" <span style="margin-left: 40px;"><input type="checkbox"/> 11"</span> <span style="margin-left: 40px;"><input type="checkbox"/> 12"</span> <span style="margin-left: 40px;"><input type="checkbox"/> 13"</span> <span style="margin-left: 40px;"><input type="checkbox"/> 14"</span>	
<input type="checkbox"/> 15" <span style="margin-left: 40px;"><input type="checkbox"/> 16"</span> <span style="margin-left: 40px;"><input type="checkbox"/> 17"</span> <span style="margin-left: 40px;"><input type="checkbox"/> 18"</span> <span style="margin-left: 40px;"><input type="checkbox"/> 19"</span>	
<input type="checkbox"/> 20" <span style="margin-left: 40px;"><input type="checkbox"/> 22"</span> <span style="margin-left: 40px;"><input type="checkbox"/> 24"</span>	
<b>Seat Width Package:</b>	
<input type="checkbox"/> 10"W-14"W <span style="margin-left: 40px;"><input type="checkbox"/> 14"W-18"W</span> <span style="margin-left: 40px;"><input type="checkbox"/> 16"W-20"W</span> <span style="margin-left: 40px;"><input type="checkbox"/> 20"W-24"W</span>	
<b>Seat Depth:</b>	
<input type="checkbox"/> 10" <span style="margin-left: 40px;"><input type="checkbox"/> 11"</span> <span style="margin-left: 40px;"><input type="checkbox"/> 12"</span> <span style="margin-left: 40px;"><input type="checkbox"/> 13"</span> <span style="margin-left: 40px;"><input type="checkbox"/> 14"</span>	
<input type="checkbox"/> 15" <span style="margin-left: 40px;"><input type="checkbox"/> 16"</span> <span style="margin-left: 40px;"><input type="checkbox"/> 17"</span> <span style="margin-left: 40px;"><input type="checkbox"/> 18"</span> <span style="margin-left: 40px;"><input type="checkbox"/> 19"</span>	
<input type="checkbox"/> 20" <span style="margin-left: 40px;"><input type="checkbox"/> 22"</span> <span style="margin-left: 40px;"><input type="checkbox"/> 24"</span>	
<b>Seat Depth Package:</b>	
<input type="checkbox"/> 10"D-14"D <span style="margin-left: 40px;"><input type="checkbox"/> 14"D-18"D</span> <span style="margin-left: 40px;"><input type="checkbox"/> 16"D-20"D</span> <span style="margin-left: 40px;"><input type="checkbox"/> 20"D-24"D</span>	
<b>Back Cane Height:</b>	
<input type="checkbox"/> 14" <span style="margin-left: 40px;"><input type="checkbox"/> 15"</span> <span style="margin-left: 40px;"><input type="checkbox"/> 16"</span> <span style="margin-left: 40px;"><input type="checkbox"/> 17"</span>	
<input type="checkbox"/> 18" <span style="margin-left: 40px;"><input type="checkbox"/> 19"</span> <span style="margin-left: 40px;"><input type="checkbox"/> 20"</span> <span style="margin-left: 40px;"><input type="checkbox"/> 21"</span>	
<input type="checkbox"/> 22" <span style="margin-left: 40px;"><input type="checkbox"/> 23"</span> <span style="margin-left: 40px;"><input type="checkbox"/> 24"</span> <span style="margin-left: 40px;"><input type="checkbox"/> 25"</span>	
<b>Back Rest Height:</b>	
<input type="checkbox"/> 18" <span style="margin-left: 40px;"><input type="checkbox"/> 19"</span> <span style="margin-left: 40px;"><input type="checkbox"/> 20"</span> <span style="margin-left: 40px;"><input type="checkbox"/> 21"</span>	
<input type="checkbox"/> 22" <span style="margin-left: 40px;"><input type="checkbox"/> 23"</span> <span style="margin-left: 40px;"><input type="checkbox"/> 24"</span> <span style="margin-left: 40px;"><input type="checkbox"/> 25"</span>	

**SYNERGY® BACK OPTIONS**

Description	Price	HCPCS Code
<input type="checkbox"/> Synergy Back with 1.5" Thick Back Cushion	\$275	
<i>Choose Lateral Extension:</i>		
<input type="checkbox"/> 10" (For Back Heights 18")	\$25	
<input type="checkbox"/> 12" (For Back Heights 19"-22")	\$25	
<input type="checkbox"/> 16" (For Back Heights 23"-25")	\$25	
<input type="checkbox"/> Synergy Shape Back Positioning Back	Various	E2613/E2614
<i>See Synergy Shape Back Order Form For Detailed Pricing, Sizes and Codes</i>		
<input type="checkbox"/> Sling Back	\$98	
<input type="checkbox"/> Heavy Duty Sling Back	\$98	
<input type="checkbox"/> Omit Back	No Charge	

**SYNERGY® BACK CANE OPTIONS**

Description	Price
<input type="checkbox"/> Standard Back Canes With Push Handles	Standard
<input type="checkbox"/> Standard Back Canes, No Push Handles	\$125
<input type="checkbox"/> Offset (Meso) <sup>3</sup>	\$195
<input type="checkbox"/> 2" (1" Per Side) <span style="margin-left: 40px;"><input type="checkbox"/> 4" (2" Per Side)</span>	
<input type="checkbox"/> Inset (Endo) <sup>3</sup>	\$195
<input type="checkbox"/> 2" (1" Per Side) <span style="margin-left: 40px;"><input type="checkbox"/> 4" (2" Per Side)</span>	

**TRU-COMFORT™ SEATING**

Description	Price	HCPCS Code
<i>Please refer to TRU-Comfort Cushion and TRU-Comfort Back order forms for detailed pricing, sizes and codes.</i>		
<b>TRU-Comfort™ Back Cushion</b>		
<input type="checkbox"/> 16"W <span style="margin-left: 40px;"><input type="checkbox"/> 18" W</span> <span style="margin-left: 40px;"><input type="checkbox"/> 20"W</span>	\$595	E2620
<input type="checkbox"/> 22"W	\$695	E2621
<b>Back Height:<sup>4</sup></b>		
<input type="checkbox"/> 22" H <span style="margin-left: 40px;"><input type="checkbox"/> 25" H</span>	No Charge	
<b>Cover:</b>		
<input type="checkbox"/> Standard <i>Allure leather-like cover</i>	No Charge	
<input type="checkbox"/> Plus <i>4-way stretch material cover</i>	No Charge	
<b>TRU-Comfort™ Seat Cushion<sup>5</sup> General Use</b>		
<i>Includes Allure leather-like cover</i>		
<input type="checkbox"/> 16" x 16" - 20" x 18"	\$380	E2601
<input type="checkbox"/> 20" x 20" - 20" x 22"	\$380	E2601
<input type="checkbox"/> 22" x 16" - 22" x 24"	\$480	E2602
<b>TRU-Comfort™ Plus Seat Cushion<sup>5</sup> Skin Protection</b>		
<i>Includes 4-way stretch material cover</i>		
<input type="checkbox"/> 16" x 16" - 20" x 18"	\$380	E2603
<input type="checkbox"/> 20" x 20" - 20" x 22"	\$380	E2603
<input type="checkbox"/> 22" x 16" - 22" x 24"	\$480	E2604

**ARMRESTS**

Description	Price	HCPCS Code
<input type="checkbox"/> Flip-back, Cane Mounted <sup>6</sup>	No Charge	
<input type="checkbox"/> 2-post, Flip-back, Height-adjustable, Removable <sup>6,7,8</sup>	\$150 ea.	E0973
<input type="checkbox"/> Single-post, Height-adjustable, Removable <sup>8,9</sup>	\$75 ea.	E0973
<input type="checkbox"/> Quad Release Lever		
<input type="checkbox"/> Removable, Single-post, Height Adjustable, Heavy Duty	\$75 ea.	E0973
<input type="checkbox"/> 8"H - 12"H <span style="margin-left: 40px;"><input type="checkbox"/> 10"H-14"H</span>		
<input type="checkbox"/> Bariatric, Removable Height, Adjustable <sup>10</sup>	\$75 ea.	E0973
<input type="checkbox"/> 8"H - 12"H <span style="margin-left: 40px;"><input type="checkbox"/> 10"H-14"H</span>		
<input type="checkbox"/> Height Adjustable Cantilever Armrests <sup>11</sup>	\$195	K0020
<i>Angle-Adjustable: - 30° through + 30°</i>		

**FOOTNOTES**

1. Includes black vinyl seat pan. Back available in listed colors.
2. Seat widths 22" or greater can not be limited recline. Seat will have pinchless hinge.
3. Dual Post Flip-back Armrests interfere with offset canes. Not available with Manual Recline or Power Recline.
4. TRU-Comfort™ Back Height is measured from the top of a 3" cushion.
5. 350lbs Weight Capacity.
6. Interferes with swing-away laterals
7. Height adjustable from 9"-13" in 1" increments.
8. Not available with a depth less than 14".
9. Height adjustable from 11"-17" in 1/2" increments
10. Bariatric Arms and Bariatric Armpads must be used together
11. Height adjustment from 11-17" depends on cane height. Not available with Flip Forward back canes, & Shape Back. Call for details when selecting aftermarket arm troughs or Universal Swivel Mounts.

**ARMPADS**

Description	Price
<input type="checkbox"/> Straight, Full Length (2"x14")	Standard
<input type="checkbox"/> Left <input type="checkbox"/> Right	
<input type="checkbox"/> Straight, Desk Length (2"x10")	No Charge
<input type="checkbox"/> Left <input type="checkbox"/> Right	
<input type="checkbox"/> Waterfall, Full Length (2"x14") <sup>1</sup>	No Charge
<input type="checkbox"/> Left <input type="checkbox"/> Right	
<input type="checkbox"/> Waterfall, Desk Length (2"x10") <sup>1</sup>	No Charge
<input type="checkbox"/> Left <input type="checkbox"/> Right	
<input type="checkbox"/> Falcon Gel, Full Length, (3.5"x14")	\$160 pr.
<input type="checkbox"/> Left <input type="checkbox"/> Right	
<input type="checkbox"/> Full Length Gel Armpad Mounting Plate (Required)	\$56.69 ea.
<input type="checkbox"/> Falcon Gel, Desk Length, (3.5"x10")	\$125 pr.
<input type="checkbox"/> Left <input type="checkbox"/> Right	
<input type="checkbox"/> Desk Length Gel Armpad Mounting Plate (Required).	\$53.52 ea.
<input type="checkbox"/> Flat, Bariatric <sup>2</sup>	No Charge
<input type="checkbox"/> Left <input type="checkbox"/> Right	

**LED LIGHTING PACKAGE**

Description	Price
<input type="checkbox"/> Through Q-Logic EX with Lights	\$995

**LAP BELTS**

Description	Price
<input type="checkbox"/> 38" Lap Belt <sup>3</sup>	Standard
<input type="checkbox"/> 50" Lap Belt <sup>3</sup>	Standard
<input type="checkbox"/> 60" Lap Belt	Standard
<input type="checkbox"/> 60" Non-Retractable (Sure-Lok)	
<input type="checkbox"/> 70" Lap Belt	Standard
<input type="checkbox"/> 80" Lap Belt	Standard
<input type="checkbox"/> 90" Lap Belt	Standard
<input type="checkbox"/> Pelvic Positioning Belt, 2-Point Padded Med, 9"-15" Hip Width	\$87
<input type="checkbox"/> Pelvic Positioning Belt, 2-Point Padded, Lg, 13"-19" Hip Width	\$92
<input type="checkbox"/> Pelvic Positioning Belt, 4-Point Padded, Med, 9"-15" Hip Width	\$112
<input type="checkbox"/> Pelvic Positioning Belt, 4-Point Padded, Lg, 13"-19" Hip Width	\$116

**LATERALS**

Description	Price	HCPCS Code
<input type="checkbox"/> <b>Stealth Thoracic Laterals (pair)<sup>4</sup></b>		
Bracket:		
<input type="checkbox"/> 125° Swing-Away Bracket (For Use with TRU-Comfort)	\$450	E1028
<input type="checkbox"/> Swing-Away, Rail Mount Bracket (For Use with Synergy Back)	\$450	E1028
Pad:		
<input type="checkbox"/> Flat Pad, 3" x 5", Leather-Like Cover	\$200	E0956
<input type="checkbox"/> Flat Pad, 4" x 6", Leather-Like Cover	\$200	E0956
<input type="checkbox"/> Curved Pad, 2" x 3", 4-Way Stretch Cover	\$200	E0956
<input type="checkbox"/> Curved Pad, 3" x 5", 4-Way Stretch Cover	\$200	E0956
<input type="checkbox"/> Curved Pad, 4" x 6", 4-Way Stretch Cover	\$200	E0956

**Stealth Pelvic/Thigh Laterals**

Side:		
<input type="checkbox"/> Left Side <input type="checkbox"/> Right Side		
Bracket:		
<input type="checkbox"/> Removable Bracket (ea.)	\$250	E1028
<input type="checkbox"/> Removable Bracket w/ 1" Offset (ea.)	\$325	E1028
<input type="checkbox"/> Flip Down Bracket (ea.)	\$225	E1028
Pad:		
<input type="checkbox"/> Short Pad, 4" x 4" (ea.)	\$90	E0956
<input type="checkbox"/> Medium Pad, 4" x 8" (ea.)	\$90	E0956
<input type="checkbox"/> Long Pad, 4" x 12" (ea.)	\$90	E0956
Adapter:		
<input type="checkbox"/> 2" Depth/Height Adapter Plate <sup>5</sup>	\$25	K0108

**HEADRESTS**

Description	Price	HCPCS Code
<input type="checkbox"/> No Headrest Required		
<b>TRU-Comfort™ Headrest<sup>6</sup></b>		
<input type="checkbox"/> 8" W Leatherette	\$205	E0955
<input type="checkbox"/> 8" W TRU-Comfort Plus	\$205	E0955
<input type="checkbox"/> 10" W Leatherette	\$205	E0955
<input type="checkbox"/> 10" W TRU-Comfort Plus	\$205	E0955
<input type="checkbox"/> Removable Headrest Bracket	\$210	E1028
<b>Stealth</b>		
<input type="checkbox"/> Small (9.75"W x 3"H)	\$205	E0955
<input type="checkbox"/> Large (11"W x 6"H)	\$205	E0955
<input type="checkbox"/> Small Comfort Plus (10"W)	\$142	E0955
<input type="checkbox"/> Large Comfort Plus (14"W)	\$142	E0955
<input type="checkbox"/> Removable Headrest Bracket	\$210	E1028
<input type="checkbox"/> Swing-away (Flip-down) Headrest Bracket	\$210	E1028
Used in Addition to Removable Headrest Bracket		
<b>Aftermarket Bracket</b>		
<input type="checkbox"/> The World's Best Removable Headrest Hardware	\$210	E1028

**NON-POWERED LEGRESTS**

Description	Price	HCPCS Code
<input type="checkbox"/> <b>70° Swing-away Legrests<sup>7</sup></b>	<b>\$162</b>	
<input type="checkbox"/> Straight <input type="checkbox"/> Tapered		
<input type="checkbox"/> Standard Extruded Footplates	No Charge	
Standard Extruded Extensions:		
<input type="checkbox"/> 11"-13" <input type="checkbox"/> 13"-16.5" <input type="checkbox"/> 15.5"-19.5"		
Standard Extruded Footplates:		
<input type="checkbox"/> 7.25" x 6" <input type="checkbox"/> 8.5" x 6"		
<input type="checkbox"/> Angle-Adjustable Footplates <sup>8</sup>	\$150	K0040
Angle Adjustable Extensions:		
<input type="checkbox"/> 11"-13" <input type="checkbox"/> 13"-16.5" <input type="checkbox"/> 15.5"-19.5"		
Angle-Adjustable Footplates:		
<input type="checkbox"/> 4" x 6" <input type="checkbox"/> 5" x 6" <input type="checkbox"/> 5" x 8"		
<input type="checkbox"/> 6" x 8" <sup>9</sup> <input type="checkbox"/> 6" x 11" <sup>9</sup> <input type="checkbox"/> 8" x 11" <sup>10</sup>		
<input type="checkbox"/> Multi-Axis Footplates <sup>7</sup>	\$495	K0040
Multi-Axis Extensions:		
<input type="checkbox"/> 11"-16.5" <input type="checkbox"/> 15.5"-19.5"		
Multi-Axis Footplates:		
<input type="checkbox"/> 4" x 6" <input type="checkbox"/> 5" x 6" <input type="checkbox"/> 5" x 8"		
<input type="checkbox"/> 6" x 8" <sup>9</sup> <input type="checkbox"/> 6" x 11" <sup>9</sup> <input type="checkbox"/> 8" x 11" <sup>10</sup>		
<input type="checkbox"/> <b>High Mount, Clamp-On Footrest</b>		
<input type="checkbox"/> Angle Adjustable		K0040
<input type="checkbox"/> Small, 4" x 7.75"	\$356	
<input type="checkbox"/> Large, 4.25" x 9.25"	\$356	
<input type="checkbox"/> Multi-Axis		K0040
<input type="checkbox"/> Small, 4" x 7.75"	\$456	
<input type="checkbox"/> Large, 4.25" x 9.25"	\$460	
<input type="checkbox"/> <b>Heavy Duty Drop-In Legrests<sup>7,11</sup></b>	<b>\$420</b>	
<input type="checkbox"/> Angle Adjustable Footplates <sup>8</sup>	\$150	K0040
Angle Adjustable Extension Length:		
<input type="checkbox"/> 12"-14.5" <input type="checkbox"/> 14.5" -18"		
Angle Adjustable Footplate Size:		
<input type="checkbox"/> 4" x 6" <input type="checkbox"/> 5" x 6" <input type="checkbox"/> 5" x 8"		
<input type="checkbox"/> 6" x 8" <sup>9</sup> <input type="checkbox"/> 6" x 11" <sup>9</sup> <input type="checkbox"/> 8" x 11" <sup>10</sup>		

**FOOTNOTES**

- Not available w/ Cane Mounted, Flip Back Armrests combined with a Synergy Back.
- Bariatric Arms and Bariatric Armpads must be used together.
- Not available with Manual Recliner High Back.
- Swing-away laterals interfere with flip-up arms.
- Height adapter plate is needed w/ Tru Comfort seat cushion. Not available on the flip down bracket.
- TRU-Comfort™ Headrests are measured at the front of the pad.
- Extensions measured from top of seatpan to footplate.
- Standard with Heel Loops.
- Only available on seats 18"W or wider.
- Only available on seats 20"W or wider.
- Available only on a Synergy Seat

**NON-POWERED LEGRESTS (cont.)**

Description	Price	HCPCS Code
<input type="checkbox"/> <b>Elevating Legrests<sup>1</sup></b>	<b>\$325</b>	<b>E0990</b>
<input type="checkbox"/> Standard Extruded Footplates <i>Standard Extruded Extension Length:</i> <input type="checkbox"/> 11"-14" <input type="checkbox"/> 14"-17" <i>Standard Extruded Footplate Size:</i> <input type="checkbox"/> 7.25" x 6" <input type="checkbox"/> 8.5" x 6"		
<input type="checkbox"/> Angle Adjustable Footplates <sup>2</sup>	\$150	K0040
<i>Angle Adjustable Extension Length:</i> <input type="checkbox"/> 12"-14.5" <input type="checkbox"/> 14.5" -18" <i>Angle Adjustable Footplate Size:</i> <input type="checkbox"/> 4" x 6" <input type="checkbox"/> 5" x 6" <input type="checkbox"/> 5" x 8" <input type="checkbox"/> 6" x 8" <sup>3</sup> <input type="checkbox"/> 6" x 11" <sup>3</sup> <input type="checkbox"/> 8" x 11" <sup>4</sup>		
<i>Calf Pad Adjustment</i> <input type="checkbox"/> 1 Hole <input type="checkbox"/> 3 Hole <input type="checkbox"/> 6 Hole		

**HIGH MOUNT FOOT PLATFORM**

Description	Price	HCPCS Code
<input type="checkbox"/> High Mount Foot Platform <sup>5</sup>	\$450	K0108
<input type="checkbox"/> 10"-14" Ext. <sup>1</sup> <input type="checkbox"/> 14"-17" Ext. <sup>1</sup>		

**ELECTRONICS FOR POWER LEGRESTS**

Description	Price	HCPCS Code
<i>This Option Is Available through SOF. 300lb. Weight Capacity on Power Legrests</i>		
<input type="checkbox"/> Dual Actuator Through NE+ 6-Key	\$2,375	E2311
<input type="checkbox"/> Multiple Actuator Through Q-Logic EX	\$2,375	E2311

**POWER ELEVATING LEGRESTS**

Description	Price	HCPCS Code
<i>This Option Is Available through SOF. 300lb. Weight Capacity on Power Legrests</i>		

<input type="checkbox"/> <b>70° Articulating Swing-Away Legrests, 4" Articulation Range<sup>5,6</sup></b>	<b>\$2,395</b>	<b>E1010</b>
<input type="checkbox"/> Quad Release Lever <i>Calf Pads<sup>7</sup>:</i> <input type="checkbox"/> 6" x 5.35" <input type="checkbox"/> 8" x 5.86" <i>Angle Adjustable Extension Length<sup>1</sup>:</i> <input type="checkbox"/> 11"-13" <input type="checkbox"/> 14.5"-18" <i>Angle Adjustable Footplate Size:</i> <input type="checkbox"/> 4" x 6" <input type="checkbox"/> 5" x 6" <input type="checkbox"/> 5" x 8" <input type="checkbox"/> 6" x 8" <sup>3</sup> <input type="checkbox"/> 6" x 11" <sup>3</sup> <input type="checkbox"/> 8" x 11" <sup>4</sup>		
<i>Operational Method:</i> <input type="checkbox"/> Independent <input type="checkbox"/> Combined		

<input type="checkbox"/> <b>70° Articulating Drop-In Legrests<sup>5,6</sup></b>	<b>\$2,395</b>	<b>E1010</b>
<input type="checkbox"/> 4" Range <input type="checkbox"/> 6" Range <i>Calf Pads<sup>7</sup>:</i> <input type="checkbox"/> 6" x 5.35" <input type="checkbox"/> 8" x 5.86" <i>Angle Adjustable Extension Length<sup>1</sup>:</i> <input type="checkbox"/> 12"-14.5" <input type="checkbox"/> 14.5"-18" <i>Angle Adjustable Footplate Size:</i> <input type="checkbox"/> 4" x 6" <input type="checkbox"/> 5" x 6" <input type="checkbox"/> 5" x 8" <input type="checkbox"/> 6" x 8" <sup>3</sup> <input type="checkbox"/> 6" x 11" <sup>3</sup> <input type="checkbox"/> 8" x 11" <sup>4</sup>		
<i>Operational Method:</i> <input type="checkbox"/> Independent <input type="checkbox"/> Combined		

**FOOT RIGGING ACCESSORIES**

Description	Price	HCPCS Code
<input type="checkbox"/> Wheel Bumpers <sup>8</sup>	\$25	
<input type="checkbox"/> Heel Loops (pair) <sup>9</sup>	\$38	E0951
<input type="checkbox"/> Gel Neoprene Footrest Sleeve (pair) <sup>10</sup>	\$65	K0108
<input type="checkbox"/> ELR/ALR Adductor Buttons (pair)	\$125	K0108
<input type="checkbox"/> POSAlinc Knee Adductor for Swing-Away Legrests (pair)	\$256	K0108
<input type="checkbox"/> POSAlinc Rail Mounted Knee Adductor (pair)	\$287	K0108
<input type="checkbox"/> Residual Limb Support	\$300	E1020
<input type="checkbox"/> Left <input type="checkbox"/> Right		
<input type="checkbox"/> Ankle Huggers (pair)	\$134	K0108
<input type="checkbox"/> Small <input type="checkbox"/> Medium		
<input type="checkbox"/> Bariatric Calf Panel <sup>13</sup>		
<input type="checkbox"/> 22"W (Fits 20"W-24"W)	\$135	

**SYNERGY® CUSHIONS**

Description	Price	HCPCS Code
<input type="checkbox"/> No Cushion Required		
<i>Please refer to Synergy order forms for detailed pricing, sizes and codes.</i>		
<input type="checkbox"/> <b>Simplicity Cushion<sup>11</sup> General Use</b>		
<input type="checkbox"/> 16" x 16" - 20" x 20"	\$98	E2601
<input type="checkbox"/> 22" x 16" - 24" x 24"	\$98	E2602
<input type="checkbox"/> <b>Solution® 1 Cushion<sup>11</sup> Skin Protection</b>		
<input type="checkbox"/> 14" x 14" - 20" x 18"	\$380	E2603
<input type="checkbox"/> 20" x 20" - 20" x 24"	\$430	E2603
<input type="checkbox"/> 22" x 16" - 24" x 24"	\$430	E2604
<input type="checkbox"/> <b>Solution® Cushion<sup>11</sup> Skin Protection &amp; Positioning</b>		
<input type="checkbox"/> 10" x 10" - 20" x 18"	\$380	E2607
<input type="checkbox"/> 20" x 20" - 20" x 24"	\$430	E2607
<input type="checkbox"/> 22" x 16" - 24" x 24"	\$430	E2608
<input type="checkbox"/> <b>Spectrum® Gel Cushion<sup>11</sup> Positioning</b>		
<input type="checkbox"/> 12" x 10" - 20" x 19"	\$480	E2605
<input type="checkbox"/> 20" x 20" - 20" x 24"	\$530	E2605
<input type="checkbox"/> 22" x 16" - 24" x 24"	\$530	E2606
<input type="checkbox"/> <b>Spectrum® Visco Cushion<sup>12</sup> Skin Protection &amp; Positioning</b>		
<input type="checkbox"/> 10" x 10" - 20" x 18"	\$480	E2607
<input type="checkbox"/> 20" x 20" - 20" x 24"	\$530	E2607
<input type="checkbox"/> 22" x 16" - 24" x 24"	\$530	E2608
<input type="checkbox"/> <b>Spectrum® Air<sup>11</sup> Adjustable Skin Protection</b>		
<input type="checkbox"/> 14" x 12" - 20" x 24"	\$480	E2622
<input type="checkbox"/> 22" x 16" - 24" x 24"	\$530	E2623
<input type="checkbox"/> <b>Spectrum® Air Contour<sup>11</sup> Adjustable Skin Protection &amp; Positioning</b>		
<input type="checkbox"/> 14" x 12" - 20" x 24"	\$499	E2624
<input type="checkbox"/> 22" x 16" - 24" x 24"	\$549	E2625

**MISCELLANEOUS POSITIONING COMPONENTS**

Description	Price	HCPCS Code
<input type="checkbox"/> Therafin Flip-down Knee Abductor Bracket <sup>13</sup>	\$172	E1028
<i>Pad:</i> <input type="checkbox"/> Small <input type="checkbox"/> Medium <input type="checkbox"/> Large	\$135	E0957
<input type="checkbox"/> Stealth Foot Boxes (pair)	\$475	K0108
<input type="checkbox"/> Small <input type="checkbox"/> Medium <input type="checkbox"/> Large		
<input type="checkbox"/> Otto Bock Arm Channels (ea.)	\$104	E2209
<i>Side:</i> <input type="checkbox"/> Left <input type="checkbox"/> Right		
<i>Size:</i> <input type="checkbox"/> Small <input type="checkbox"/> Medium <input type="checkbox"/> Large		
<input type="checkbox"/> Otto Bock Flat Hand Pad(ea.)	\$52	
<i>Side:</i> <input type="checkbox"/> Left <input type="checkbox"/> Right		
<i>Size:</i> <input type="checkbox"/> Medium <input type="checkbox"/> Large		

*Please see positioning components order form for additional types, sizes and details.*

**FOOTNOTES**

- Extensions measured from top of seatpan to footplate.
- Standard with Heel Loops.
- Only available on seats 18"W or wider.
- Only available on seats 20"W or wider.
- Available only on a Synergy Seat.
- Power ALR's come standard with Angle Adjustable Footplates with Heel Loops and Wheel Bumpers.
- Calf pads can be found in the front rigging accessories section of i-Quantum.
- Standard on Power Elevating Legrests.
- Standard with angle adjustable and multi-axis footplates.
- Available only with non-powered swing-away legrests.
- 350 lbs weight capacity.
- 650 lbs weight capacity.
- Not available with Highmount Foot Platform.

**ACCESSORIES**

Clinician Notes:

Description	Price	HCPCS Code
<input type="checkbox"/> Rear Basket <sup>1</sup>	\$103	
<input type="checkbox"/> Cane/Crutch Holder <sup>1</sup>	\$98	E2207
<input type="checkbox"/> Weather Cover, Medium, Black	\$158	
<input type="checkbox"/> Cup Holder	\$17	
<i>Side:</i>		
<input type="checkbox"/> Left <input type="checkbox"/> Right		
<input type="checkbox"/> Saddle Bag	\$28	
<input type="checkbox"/> Flag Holder	\$17	
<input type="checkbox"/> Quantum Backpack <sup>2</sup>	\$60	
<input type="checkbox"/> Oxygen Holder <i>Contoured Seating</i> <sup>1</sup>	\$103	E2208
<input type="checkbox"/> Oxygen Holder <i>Synergy Seat</i> <sup>3</sup>	\$150	E2208
<input type="checkbox"/> Walker Holder <sup>3</sup>	\$92	K0108

**BATTERY OPTIONS**

Description	Price	HCPCS Code
<input type="checkbox"/> NF-22, 50-Amp Batteries		
<input type="checkbox"/> Maintenance Free AGM	\$255 ea.	E2361
<input type="checkbox"/> Maintenance Free Gel Cell ( <i>Universal</i> )	\$295 ea.	E2361
<input type="checkbox"/> Maintenance Free Gel Cell ( <i>MK</i> )	\$295 ea.	E2361
<i>Installation:</i>		
<input type="checkbox"/> Batteries Installed <input type="checkbox"/> Do Not Install		

**COMPACT VENT TRAY (SYNERGY SEAT ONLY)**

Description	Price
<input type="checkbox"/> Compact Vent Tray	\$1,395

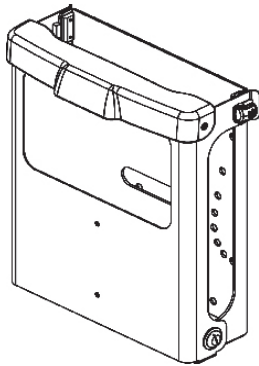
*The addition of a compact vent tray may increase the length & weight of your power chair.*

**Mounting Bracket:**

Bracket is pre-selected with TRU-Comfort Back

- Flush            3" Offset\*    6" Offset

- Accommodates Pulmonetics LTV-style ventilators.
- Max Vent Dim. 3.25" H x 10.5" W x 13.5" / 20 lbs.
- Not Available with Shape Back or Sling Back.
- Not available with rear mount accessories.
- Not available with flip-down back canes.



**FOOTNOTES**

1. Includes Mounting Hardware. Not available with Manual Recliner.
2. Includes Mounting Hardware. Tru Comfort Back requires custom O2 holder, call for details.
3. Backpack may interfere w/ other rear accessories. Not available w/ contoured seating.
4. Not Available With Cane Mounted Flip Up Arms.