

MOVING FORWARD

Quantum® 614 Series

Group 3 Standard

Order Form

300 lbs weight capacity

Quantum Rehab®

A Division of Pride Mobility Products Corporation®

182 Susquehanna Ave., Exeter, PA 18643

Phone: (866)800-2002 • Fax: (866) 707-3422



Account Number: _____

Provider Name: _____

Contact: _____

Phone: _____

Fax: _____

Date: _____

PO#: _____

Marked For: _____

Ship To: _____

Address: _____

City: _____ State: _____ Zip: _____

Discount: _____

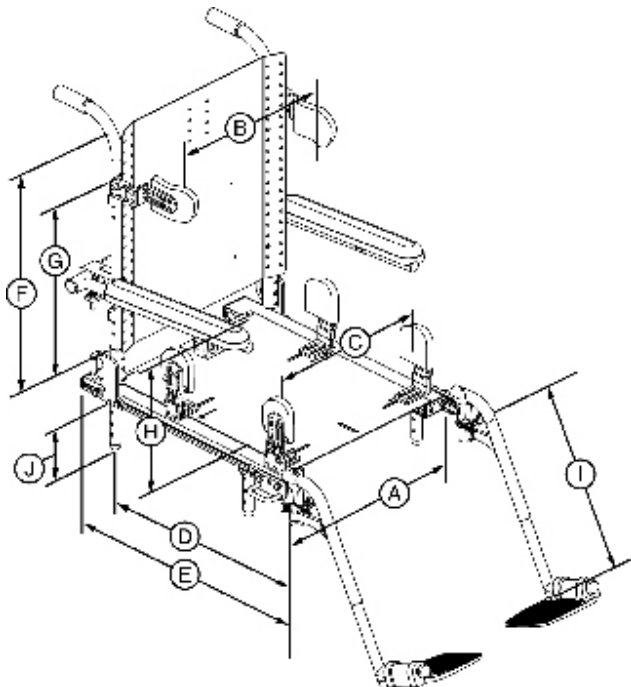
Terms: _____

Freight: _____

Taken By: _____

SPECIFIED DIMENSIONS*

Please supply patient information for optimal setup prior to shipping.



Client Height: _____

Client Weight: _____

A. Seat Width: _____

B. Lateral Offset: _____

C. Hip/Thigh Lateral Offset: _____

D. Center of Gravity: *Optimized based on seat dimensions*

E. Seat Depth: _____

F. Back Height from Pan: _____

G. Lateral Height from Pan: _____

H. Armrest Height from Pan: _____

I. Rigging Length (whole numbers only): _____

J. Seat to Floor Height: Low Middle Tall

Clinician Notes: _____

* While every effort will be taken to ensure items will be preset to your specifications prior to shipping, variations in options may effect final settings.

DME providers are responsible for determining appropriate billing codes when submitting for insurance reimbursement. HCPCS codes should not be considered as legal advice. All prices are MSRP.

BASE MODEL

Description	Price	HCPCS Code
<input type="checkbox"/> Quantum 614 3S-C	\$5,847	K0849
<input type="checkbox"/> Quantum 614 3S-SS	\$5,847	K0848

COLORS

Description

Metallic Colors:

- Champagne
- Emerald Green
- Candy Apple Red
- Viper Blue
- Onyx Black
- Sunburst Orange
- Silver

DRIVE WHEELS

Description	Price
<input type="checkbox"/> 14" Pneumatic (pair)	No Charge
<input type="checkbox"/> 14" Solid (pair)	Standard

BATTERY OPTIONS

Description	Price	HCPCS Code
<input type="checkbox"/> NF-22, 50-amp Batteries		
<input type="checkbox"/> Maintenance-free AGM	\$255ea	E2361
<input type="checkbox"/> Maintenance-free Gel Cell	\$295ea	E2361
<input type="checkbox"/> 5 amp, Off-board Charger	Standard	

LED LIGHT PACKAGE

Description	Price
<input type="checkbox"/> Through Q-Logic EX w/ lights	\$995

JOYSTICK MOUNTING OPTIONS

Description	Price	HCPCS Code
<input type="checkbox"/> Fixed, In-Line - <input type="checkbox"/> Left <input type="checkbox"/> Right	Standard	
<input type="checkbox"/> Swing-away - <input type="checkbox"/> Left <input type="checkbox"/> Right		
<input type="checkbox"/> 4" L <input type="checkbox"/> 7" L	\$210	E1028
<input type="checkbox"/> Multi-axis, Fixed - <input type="checkbox"/> Left <input type="checkbox"/> Right	\$100	K0108

Armrest Mounting Options

<input type="checkbox"/> Quick Disconnect - <input type="checkbox"/> Left ¹ <input type="checkbox"/> Right ¹	No Charge	
<input type="checkbox"/> Vertical Adjustment Clamp	\$95	K0108
<input type="checkbox"/> Figure 8 style - <i>required w/ waterfall armpads</i>	No Charge	

FOOTNOTES

1. Not available with waterfall arm pads.
2. All mounting hardware is included in kit. Additional joystick block maybe needed to mount to arm
3. See Specialty Electronics order form for additional mounting options and secondary controls.
4. Bluetooth mouse emulator requires a run plug harness for either static or power seating. Additional fees will apply.
5. Use code E2323 when not used in conjunction with chin control.

JOYSTICK OPTIONS

Description	Price	HCPCS Code
-------------	-------	------------

Non-Expandable Controls

NE 75 amp  No Charge

NE+ 6-Key 75 amp  \$200

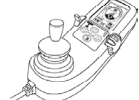
Expandable Controls

All joysticks or enhanced displays must be used in conjunction with a Q-Logic controller and harness

Q-Logic EX Controller  \$695 E2377

Harness for Expandable Controller \$350 E2313


Q-Logic EX Joystick, 100 amp  \$700

Q-Logic EX Joystick with Lights, 100 amp  \$700

Required for use with LED light package. Can operate all power positioning functions.

Q-Logic EX Stand Alone Joystick, 100 amp  \$700 E2373

Q-Logic EX Kit (KITASMB1678)^{2,3,4} \$1884.93

- Includes:
- Q-logic EX Enhanced Display 
 - Gooseneck Flexible
 - Q-Logic EX Enhanced Display Brkt

Programmer

Q-Logic EX/ NE Programmer  \$423

Q-Logic EX Programming Interface \$750

Description

Price

HCPCS Code

Joystick Handle Options

<input type="checkbox"/> Standard Knob	Standard	
<input type="checkbox"/> Mushroom Handle	\$71	E2323
<input type="checkbox"/> T-Bar	\$107	E2323
<input type="checkbox"/> Chin Cup ⁵	\$71	E2324
<input type="checkbox"/> Extended I-Handle	\$71	E2323
<input type="checkbox"/> Soft Ball Handle	\$50	E2323
<input type="checkbox"/> Medium Ball Handle	\$50	E2323
<input type="checkbox"/> 3" Goal Post Handle	\$66	E2323
<input type="checkbox"/> 4" Goal Post Handle	\$66	E2323

CONTOURED SEATING

Description	Price	HCPCS Code
<input type="checkbox"/> Med-Back	No Charge	
<input type="checkbox"/> Med-Back with Solid Seat Pan ¹	No Charge	
<input type="checkbox"/> Brown Vinyl <input type="checkbox"/> Beige Vinyl <input type="checkbox"/> Gray Vinyl		
<input type="checkbox"/> Black Vinyl <input type="checkbox"/> Gray Fabric <input type="checkbox"/> Brown Fabric		
Seat Width: <input type="checkbox"/> 16" NC <input type="checkbox"/> 18" Std. Seat Depth: <input type="checkbox"/> 16" NC <input type="checkbox"/> 18" Std.		

<input type="checkbox"/> Limited Recline High-Back with Headrest	No Charge	
<input type="checkbox"/> High-Back with Solid Seat Pan ¹	No Charge	

<input type="checkbox"/> Black Vinyl <input type="checkbox"/> Gray Vinyl <input type="checkbox"/> Beige Vinyl <input type="checkbox"/> Gray Fabric <input type="checkbox"/> Brown Fabric		
Seat Width: <input type="checkbox"/> 16" <input type="checkbox"/> 18" <input type="checkbox"/> 20" <input type="checkbox"/> 22" (22" W and above will not be ltd. recline)		
Seat Depth: <input type="checkbox"/> 16" <input type="checkbox"/> 18" <input type="checkbox"/> 20" <input type="checkbox"/> 22"		

Armrests

<input type="checkbox"/> Flip-up, removable	Std.	
<input type="checkbox"/> Flip-up, height-adjustable, removable ²	\$170	E0973

Armpads

<input type="checkbox"/> Desk Length, 10" <input type="checkbox"/> Left NC <input type="checkbox"/> Right NC		
<input type="checkbox"/> Full Length, 14" <input type="checkbox"/> Left Std. <input type="checkbox"/> Right Std.		
<input type="checkbox"/> Manual Recliner High-Back with Headrest	\$600	E1226
<input type="checkbox"/> Manual Recliner High-Back with Headrest & Solid Seat Pan ¹	\$600	E1226

<input type="checkbox"/> Gray Vinyl <input type="checkbox"/> Beige Vinyl		
Seat Width: <input type="checkbox"/> 16" NC <input type="checkbox"/> 18" Std. Seat Depth: <input type="checkbox"/> 16" NC <input type="checkbox"/> 18" Std.		

SPECIALTY SEATING

Description	Price	HCPCS
-------------	-------	-------

<input type="checkbox"/> Specialty Seat Kit	No Charge	
Seat Width: <input type="checkbox"/> 16" <input type="checkbox"/> 18" <input type="checkbox"/> 20" Seat Depth: <input type="checkbox"/> 16" <input type="checkbox"/> 17" <input type="checkbox"/> 18" <input type="checkbox"/> 19" <input type="checkbox"/> 20"		
Back Cane Height: <input type="checkbox"/> 18" <input type="checkbox"/> 19" <input type="checkbox"/> 20" <input type="checkbox"/> 22"		
Back Rest Height: <input type="checkbox"/> 18" <input type="checkbox"/> 19" <input type="checkbox"/> 20" <input type="checkbox"/> 21" <input type="checkbox"/> 22" <input type="checkbox"/> 23" <input type="checkbox"/> 24" <input type="checkbox"/> 25"		

Armrests for Specialty Seat

<input type="checkbox"/> 2-Post, fixed flip-back ^{3,4}	Std.	
<input type="checkbox"/> Flip-back, cane mounted ^{3,4}	\$95ea	
<input type="checkbox"/> Removable, adjustable, quick height ⁵	\$275ea	E0973
<input type="checkbox"/> Removable, single-post, fixed height adjustable, heavy duty	\$150ea	E0973
<input type="checkbox"/> 8"-12" Adjustment <input type="checkbox"/> 10"-14" Adjustment		

Armpads

<input type="checkbox"/> Desk Length, 10" <input type="checkbox"/> Left NC <input type="checkbox"/> Right NC		
<input type="checkbox"/> Full Length, 14" <input type="checkbox"/> Left Std. <input type="checkbox"/> Right Std.		

SYNERGY® SEATING SYSTEMS

Description	Price	HCPCS Code
-------------	-------	------------

<input type="checkbox"/> Synergy Seating Frame	\$434	
<input type="checkbox"/> Std. Stem Mount	No Charge	
<input type="checkbox"/> 2" Extended Vertical Stem Mounts	No Charge	

(Cannot achieve lowest Seat to Floor Height)

<input type="checkbox"/> Synergy Manual Recline Package ^{6,7,8,13}	\$700	E1226
<input type="checkbox"/> Synergy Manual Tilt Package ⁹	\$550	K0108

(Max Dimensions 14"W x 14"D & Maximum weight capacity 75 lbs.)

Seat Width:

<input type="checkbox"/> 10" <input type="checkbox"/> 11" <input type="checkbox"/> 12" <input type="checkbox"/> 13" <input type="checkbox"/> 14" <input type="checkbox"/> 15" <input type="checkbox"/> 16" <input type="checkbox"/> 17"
<input type="checkbox"/> 18" <input type="checkbox"/> 19" <input type="checkbox"/> 20" <input type="checkbox"/> 21" <input type="checkbox"/> 22"

Seat Width Package

<input type="checkbox"/> 10" W - 14" W <input type="checkbox"/> 14" W - 18" W	No Charge	
<input type="checkbox"/> 16" W - 20" W <input type="checkbox"/> 20" W - 22" W	No Charge	

Seat Depth:

<input type="checkbox"/> 10" <input type="checkbox"/> 11" <input type="checkbox"/> 12" <input type="checkbox"/> 13" <input type="checkbox"/> 14" <input type="checkbox"/> 15" <input type="checkbox"/> 16" <input type="checkbox"/> 17"
<input type="checkbox"/> 18" <input type="checkbox"/> 19" <input type="checkbox"/> 20" <input type="checkbox"/> 21" <input type="checkbox"/> 22"

Seat Depth Package

<input type="checkbox"/> 10" D - 14" D <input type="checkbox"/> 14" D - 18" D	No Charge	
<input type="checkbox"/> 16" D - 20" D <input type="checkbox"/> 20" D - 22" D	No Charge	

Back Cane Height:

<input type="checkbox"/> 14" <input type="checkbox"/> 15" <input type="checkbox"/> 16" <input type="checkbox"/> 17" <input type="checkbox"/> 18" <input type="checkbox"/> 19"
<input type="checkbox"/> 20" <input type="checkbox"/> 21" <input type="checkbox"/> 22" <input type="checkbox"/> 23" <input type="checkbox"/> 24" <input type="checkbox"/> 25"

Back Rest Height:

<input type="checkbox"/> 18" <input type="checkbox"/> 19" <input type="checkbox"/> 20" <input type="checkbox"/> 21" <input type="checkbox"/> 22" <input type="checkbox"/> 23" <input type="checkbox"/> 24" <input type="checkbox"/> 25"

BACK CANES OPTIONS

Description	Price
-------------	-------

<input type="checkbox"/> Back Canes w/ push handles	Std.
<input type="checkbox"/> Back Canes w/out push handles	\$125
<input type="checkbox"/> Flip Forward ¹⁰	\$150
<input type="checkbox"/> Offset(Meso) ¹¹ (SOF)	\$195
<input type="checkbox"/> Inset (Endo) ¹¹ (SOF)	\$195
<input type="checkbox"/> 2" (1" per side) <input type="checkbox"/> 4" (2" per side)	

Actual Back Cane Height is reflected in measurement

BACK OPTIONS

Description	Price	HCPCS Code
-------------	-------	------------

<input type="checkbox"/> Solid Plate Back -w/ 1.5" thick back cushion	\$275.00	
<input type="checkbox"/> Synergy® Shape Back Positioning Back	Various	E2613
See Synergy Shape Back order form for detailed pricing, sizes and codes.		E2614
<input type="checkbox"/> Sling Back	\$98.00	
<input type="checkbox"/> Solid Curved Back	Various	
<input type="checkbox"/> Omit Back	(-\$100)	

TRU-COMFORT™ SEATING

Description	Price	HCPCS Code
-------------	-------	------------

Please refer to TRU-Comfort Cushion and TRU-Comfort Back order forms for detailed pricing, sizes and codes.

TRU-Comfort™ Back Cushion

Back Width:

<input type="checkbox"/> 16" W <input type="checkbox"/> 18" W <input type="checkbox"/> 20" W	\$595	E2620
<input type="checkbox"/> 22" W	\$695	E2621

Back Height:¹²

<input type="checkbox"/> 22" H <input type="checkbox"/> 25" H	No Charge	
---	-----------	--

Cover:

<input type="checkbox"/> Standard Allure leather-like cover	No Charge	
<input type="checkbox"/> Plus 4-way stretch material cover	No Charge	

TRU-Comfort™ Seat Cushion General Use

Includes Allure leather-like cover

<input type="checkbox"/> 16" x 16" - 20" x 18"	\$380	E2601
<input type="checkbox"/> 20" x 20" - 20" x 22"	\$380	E2601
<input type="checkbox"/> 22" x 16" - 22" x 24"	\$480	E2602

TRU-Comfort™ Plus Seat Cushion Skin Protection

Includes 4-way stretch material cover

<input type="checkbox"/> 16" x 16" - 20" x 18"	\$380	E2603
<input type="checkbox"/> 20" x 20" - 20" x 22"	\$380	E2603
<input type="checkbox"/> 22" x 16" - 22" x 24"	\$480	E2604

SYNERGY® CUSHIONS

Description	Price	HCPCS Code
-------------	-------	------------

No Cushion Required

Please refer to Synergy order forms for detailed pricing, sizes and codes.

Simplicity Cushion General Use

<input type="checkbox"/> 16" x 16" - 20" x 20"	\$98	E2601
<input type="checkbox"/> 22" x 16" - 24" x 24"	\$98	E2602

Solution® 1 Cushion Skin Protection

<input type="checkbox"/> 14" x 14" - 20" x 18"	\$380	E2603
<input type="checkbox"/> 20" x 20" - 20" x 24"	\$430	E2603
<input type="checkbox"/> 22" x 16" - 24" x 24"	\$430	E2604

Solution® Cushion Skin Protection & Positioning

<input type="checkbox"/> 10" x 10" - 20" x 18"	\$380	E2607
<input type="checkbox"/> 20" x 20" - 20" x 24"	\$430	E2607
<input type="checkbox"/> 22" x 16" - 24" x 24"	\$430	E2608

Spectrum® Gel Cushion Positioning

<input type="checkbox"/> 12" x 10" - 20" x 19"	\$480	E2605
<input type="checkbox"/> 20" x 20" - 20" x 24"	\$530	E2605
<input type="checkbox"/> 22" x 16" - 24" x 24"	\$530	E2606

Spectrum® Visco Cushion Skin Protection & Positioning

<input type="checkbox"/> 10" x 10" - 20" x 18"	\$480	E2607
<input type="checkbox"/> 20" x 20" - 20" x 24"	\$530	E2607
<input type="checkbox"/> 22" x 16" - 24" x 24"	\$530	E2608

Spectrum Air

<input type="checkbox"/> 14 x 12 - 20 x 24	\$480	K0734
<input type="checkbox"/> 22 x 16 - 24 x 24	\$530	K0735

Spectrum Air Contour

<input type="checkbox"/> 14 x 12 - 20 x 24	\$499	K0736
<input type="checkbox"/> 22 x 16 - 24 x 24	\$549	K0737

FOOTNOTES

- Includes black vinyl seat pan, back available in all listed colors.
- N/A w/ manual recliner.
- Call for configuration w/ Shape Back.
- S/A laterals interfere w/ flip back arms.
- 11"-17" of height adj. 3" on top in 1/2" increments & 3" on bottom in 1" increments
- Solid plate back N/A, Solid curved back required, additional cost will apply.
- N/A w/ flip-back, cane mounted arms..
- Includes removable, adjustable, quick-height armrests.
- Manual Tilt w/ Shape back & oxygen tank holder requires the use of a pushbar.
- N/A w/ TB power recline, Synergy Manual Systems, vent trays, bariatric armpads, occupied transit kit and TRU-Comfort or sling backs. May also interfere w/ lateral supports and waterfall armpads.
- N/A with TRU-Comfort, Dual Post, Flip-back armrests may interfere with offset armrests . N/A w/ any reclining systems.
- Back height is measured from the top of a 3" cushion on the seat.
- Requires Solid Curved Back, additional fees apply.

ARMRESTS

Description	Price	HCPCS Code
<input type="checkbox"/> Flip-back, Cane Mounted ¹	No Charge	
<input type="checkbox"/> 2-post, Flip-back, Height-adjustable, Removable ¹ (9"-13" of height adjustment in 1" increments)	\$150ea	E0973
<input type="checkbox"/> Single-post, Height-adjustable, Removable ²	\$75ea	E0973
<input type="checkbox"/> Quad Release Level	No Charge	
<input type="checkbox"/> Removable, Single-post, Height-adjustable, Heavy Duty	\$75ea	E0973
<input type="checkbox"/> Pediatric, Removable ^{2,3}	\$75ea	E0973
<input type="checkbox"/> Match Shroud Color	No Charge	
<input type="checkbox"/> Quad Release Lever	No Charge	
<i>(7 3/4" - 9 3/4" height adjustment in 1/2" increments from seat pan to top of armrest)</i>		
<input type="checkbox"/> Cantilever Armrests	SOF	
Angle-Adjustable: - 30° through + 30° Height Adjustment 11" - 17" depends on back cane height. N/A w/ manual recline, flip-forward back canes, Cane Clamp Push Bar, Shape Back, Sling back & Specialty Seat Call for details when selecting aftermarket arm troughs or Universal Swivel w/ desk length arms.		
Left Armrest Pad		
<input type="checkbox"/> Straight, Full Length (2"x14")		
<input type="checkbox"/> Straight, Desk Length (2"x10")		
<input type="checkbox"/> Waterfall, Full Length (2"x14")		
<input type="checkbox"/> Waterfall, Desk Length (2"x10")		
Right Armrest Pad		
<input type="checkbox"/> Straight, Full Length (2"x14")		
<input type="checkbox"/> Straight, Desk Length (2"x10")		
<input type="checkbox"/> Waterfall, Full Length (2"x14")		
<input type="checkbox"/> Waterfall, Desk Length (2"x10")		

MISC. FRONT RIGGING OPTIONS

<input type="checkbox"/> No Front Riggings	No Charge	
<input type="checkbox"/> Base Mounted Foot Platform	Standard	

HIGH MOUNT FOOT PLATFORM

<input type="checkbox"/> High Mount Foot Platform	\$450	K0108
<input type="checkbox"/> 10"-14" Ext. ⁵		
<input type="checkbox"/> 14"-17" Ext. ⁵		

NON-POWERED FRONT RIGGINGS

Description	Price	HCPCS Code
<input type="checkbox"/> 70° Swing-away Footrest ⁴		
<input type="checkbox"/> Tapered 70° Swing-away Footrest ⁴		
<input type="checkbox"/> Standard Extension, 11"-13"	\$162	
<input type="checkbox"/> Standard Extension, 13"-16.5"	\$162	
<input type="checkbox"/> Standard Extension, 15.5"-19.5"	\$162	
<input type="checkbox"/> Angle-Adjustable Extension, 11"-13"	\$162	
<input type="checkbox"/> Angle-Adjustable Extension, 13"-16.5"	\$162	
<input type="checkbox"/> Angle-Adjustable Extension, 15.5"-19.5"	\$162	
High Mount, Clamp-On Footplate		
<input type="checkbox"/> Angle-Adjustable, Small	\$326	K0040
<input type="checkbox"/> Angle-Adjustable, Large	\$326	K0040
<input type="checkbox"/> Multi-Axis, Small	\$412	K0040
<input type="checkbox"/> Multi-Axis, Large	\$412	K0040
HD Drop-In Footplate^{5,6}		
<input type="checkbox"/> 12"-14.5" Extension	\$420	
<input type="checkbox"/> 14.5"-18" Extension	\$420	
Elevating Legrests⁶		
<input type="checkbox"/> Standard Extension, 11"-14"	\$325	
<input type="checkbox"/> Standard Extension, 14"-17"	\$325	
<input type="checkbox"/> Angle-Adjustable 12"-14.5" Extension	\$325	E0990
<input type="checkbox"/> Angle-Adjustable 14.5"-18" Extension	\$325	E0990
Adjustable Calf Pads⁷		
<input type="checkbox"/> 1 Hole		
<input type="checkbox"/> 3 Holes		
<input type="checkbox"/> 6 Holes		
Pediatric Swing-Aways Legrests		
Extension Range 7" - 10"		
<input type="checkbox"/> 4x6	\$162	
<input type="checkbox"/> 5x6		

FOOTPLATE OPTIONS

Footplates
For Standard Swing-Away Extensions and Elevating Legrests.

<input type="checkbox"/> 7.25" x 6"	<input type="checkbox"/> 8.5" x 6"		
-------------------------------------	------------------------------------	--	--

Angle-Adjustable Footplates

Description	Price	HCPCS Code
<input type="checkbox"/> Angle-Adjustable Footplates		
<input type="checkbox"/> 4" x 6"	\$150	K0040
<input type="checkbox"/> 5" x 6"	\$150	K0040
<input type="checkbox"/> 5" x 8"	\$150	K0040
<input type="checkbox"/> 6" x 8" ⁸	\$150	K0040
<input type="checkbox"/> 6" x 11" ⁸	\$150	K0040
<input type="checkbox"/> 8" x 11" ⁹	\$150	K0040

Angle-Adjustable footplates are included in price of Heavy-Duty Drop-ins. (not reimburable)

Multi-Axis Footplates
For Multi-Axis & Swing-Away Extensions

<input type="checkbox"/> 4" x 6"	\$495	K0040
<input type="checkbox"/> 5" x 6"	\$495	K0040
<input type="checkbox"/> 5" x 8"	\$495	K0040
<input type="checkbox"/> 6" x 8" ⁸	\$495	K0040
<input type="checkbox"/> 6" x 11" ⁸	\$495	K0040
<input type="checkbox"/> 8" x 11" ⁹	\$495	K0040

ELECTRONICS FOR POWER FRONT RIGGINGS

Required for use w/ power front riggings

<input type="checkbox"/> Q-Logic AAM	NC	
<input type="checkbox"/> Single function through joystick (for use w/ AFP)	\$1175	E2310
<input type="checkbox"/> Multi-function through joystick (for use w/ power-legrests)	\$2375	E2311

POWER ELEVATING LEGRESTS

Description	Price	HCPCS Code
<input type="checkbox"/> 70° Articulating (4" Range), ⁶ Swing-away	\$2395	E1010
<input type="checkbox"/> Quad Release Lever	No Charge	
<input type="checkbox"/> 70° Articulating (4" Range), Drop In ⁶	\$2395	E1010
<input type="checkbox"/> 70° Articulating (6" Range), Drop In ⁶	\$2395	E1010
Calf Pads		
<input type="checkbox"/> 6" x 5.35"	Standard	
<input type="checkbox"/> 8" x 5.86"	No Charge	
Footplates		
<input type="checkbox"/> 4" x 6", Angle-Adjustable	No Charge	
<input type="checkbox"/> 5" x 6", Angle-Adjustable	No Charge	
<input type="checkbox"/> 5" x 8", Angle-Adjustable	No Charge	
<input type="checkbox"/> 6" x 8", Angle-Adjustable ⁷	No Charge	
<input type="checkbox"/> 6" x 11", Angle-Adjustable ⁷	No Charge	
<input type="checkbox"/> 8" x 11", Angle-Adjustable ⁸	No Charge	
Swing-Away Extension Lengths⁵		
<input type="checkbox"/> 11"-13"	\$125	
<input type="checkbox"/> 14.5"-18"	No Charge	
Drop-in Extension Lengths⁵		
<input type="checkbox"/> 12"-14.5"	No Charge	
<input type="checkbox"/> 14.5"-18"	No Charge	
Operational Method		
<input type="checkbox"/> Independent	No Charge	
<input type="checkbox"/> Combined	No Charge	

POWER ARTICULATING FOOT PLATFORM

Description	Price	HCPCS Code
<input type="checkbox"/> Power Articulating Foot Platform	\$2,895	K0108
<input type="checkbox"/> Standard Split Footplatform		
Extension Length ⁵ :		
<input type="checkbox"/> 12"-14"		
<input type="checkbox"/> 14"-16"		
Footplatform Size:		
<input type="checkbox"/> 10.5" x 8"		
<input type="checkbox"/> 10.5" x 10.5"		
<input type="checkbox"/> Depth Adjustable Split Footplatform		
Depth Adjustable Extension Length ⁵ :		
<input type="checkbox"/> 16" -18"		
Depth Adjustable Footplatform Size:		
<input type="checkbox"/> 10.5" x 10.5"		
Optional Accessories:		
<input type="checkbox"/> Connection Bracket	\$49	
<input type="checkbox"/> Heel Cups	\$39	K0108

FRONT RIGGING ACCESSORIES

Description	Price	HCPCS Code
<input type="checkbox"/> Wheel Bumpers ¹¹	\$25	
<input type="checkbox"/> Heel Loops (pair) ¹²	\$38	E0951
<input type="checkbox"/> Gel Neoprene Footrest Sleeve (pair) ¹³	\$65	K0108
<input type="checkbox"/> ELR/ALR Adductor Buttons (pair)	\$100	K0108
<input type="checkbox"/> POSAlinc Knee Adductor for Swing-Away Legrests (pair)	\$464	K0108
<input type="checkbox"/> Residual limb Support-Left	\$300	E1020
<input type="checkbox"/> Residual limb Support-Right	\$300	E1020

FOOTNOTES

- Swing-away laterals interfere.
- Desk length armrests w/ an accessory limit the accessibility to the height adj. lever.
- 11"-17" height adjustable, 3" on top with 1/2" increments.
- 7.75" - 9.75" height adjustment in .5" increments.
- Extensions are measured from top of seat to foot plate.
- Standard with angle-adjustable footplates & heel loops.
- Only available on ELRs.
- Only available on seat sizes 18" or wider.
- Only available on seat sizes 20" or wider..
- Desk length armrests w/ an accessory limit the accessibility to the height adj. lever.
- Standard on power elevating legrests.
- Standard with angle-adjustable foot plates.
- Available with swing-away foot rests.

HEADRESTS

Description	Price	HCPCS Code
<input type="checkbox"/> No Headrest Required		
TRU-Comfort™		
<input type="checkbox"/> 8" Wide Leatherette ¹	\$205	E0955
<input type="checkbox"/> 8" TRU-Comfort Plus ¹	\$205	E0955
<input type="checkbox"/> 10" Wide Leatherette ¹	\$205	E0955
<input type="checkbox"/> 10" TRU-Comfort Plus ¹	\$205	E0955
<input type="checkbox"/> Removable Headrest Bracket	\$210	E1028
Stealth		
<input type="checkbox"/> Small (9.75"W x 3"H)	\$205	E0955
<input type="checkbox"/> Large (11"W x 6"H)	\$205	E0955
<input type="checkbox"/> Small Comfort Plus (10"W)	\$205	E0955
<input type="checkbox"/> Large Comfort Plus (14"W)	\$205	E0955
<input type="checkbox"/> Removable Headrest Bracket	\$210	E1028
<input type="checkbox"/> Swing-away (Flip-down) Headrest Bracket ²	\$210	E1028
<i>Interfaces with any headrest that uses 1/2" square down-tube.</i>		
Medical Applications		
<input type="checkbox"/> Small (9.75"W x 3"H)	\$230	E0955
<input type="checkbox"/> Large (11"W x 6"H)	\$230	E0955
<input type="checkbox"/> Removable Headrest Bracket	\$235	E1028
<input type="checkbox"/> Fixed, Offset Mounting Bracket	No Charge	
Aftermarket Bracket		
<input type="checkbox"/> Removable Bracket for Aftermarket Headrest	\$210	E1028

POSITIONING COMPONENTS

Description	Price	HCPCS Code
Stealth		
<input type="checkbox"/> 125° Swing-Away Bracket (pair) ^{3,4}	\$420	E1028
<i>For use with TRU-Comfort & Specialty Seating.</i>		
<input type="checkbox"/> Swing-Away Flush to 1" Offset, Back Cane Mounted (pair) ⁴	\$450	E1028
<input type="checkbox"/> Thoracic Lateral Flat Pad, 3" x 5" (pair) (Leather-like cover)	\$200	E0956
<input type="checkbox"/> Thoracic Lateral Flat Pad, 4" x 6" (pair) (Leather-like cover)	\$200	E0956
<input type="checkbox"/> Thoracic Lateral Curved Pad, 2" x 3" (pair)	\$200	E0956
<input type="checkbox"/> Thoracic Lateral Curved Pad, 3" x 5" (pair)	\$200	E0956
<input type="checkbox"/> Thoracic Lateral Curved Pad, 4" x 6" (pair)	\$200	E0956
<input type="checkbox"/> Removable Lateral Pelvic / Thigh Bracket (ea)	\$187	E1028
<input type="checkbox"/> Flip-down Lateral Pelvic / Thigh Bracket (ea)	\$210	E1028
<input type="checkbox"/> Short Lateral Pelvic / Thigh Pad, 4" x 4" (ea)	\$90	E0956
<input type="checkbox"/> Medium Lateral Pelvic / Thigh Pad, 4" x 8" (ea)	\$90	E0956
<input type="checkbox"/> Long Lateral Pelvic / Thigh Pad, 4" x 12" (ea)	\$90	E0956

ACCESSORIES

Description	Price	HCPCS Code
<input type="checkbox"/> Rear Basket ^{2,5,6,8}	\$103	
<input type="checkbox"/> Cane/Crutch Holder ^{2,5,6,8}	\$98	E2207
<input type="checkbox"/> Oxygen Holder ^{2,5,6}	\$103	E2208
<input type="checkbox"/> Oxygen Holder for Synergy Seat ^{2,5,6,7}	\$150	E2208
<input type="checkbox"/> Accessory Mounting Bracket	\$50	
<input type="checkbox"/> Walker Holder ^{2,5,6,8}	\$92	K0108
<input type="checkbox"/> Flag Holder	\$17	
<input type="checkbox"/> Stroller handle (Synergy Manual Tilt only)	\$85	
<input type="checkbox"/> Weather Cover, Medium, Black	\$158	
<input type="checkbox"/> Cup Holder, Left	\$17	
<input type="checkbox"/> Cup Holder, Right	\$17	
<input type="checkbox"/> 38" Lap Belt	No Charge	
<input type="checkbox"/> 50" Lap Belt	No Charge	
<input type="checkbox"/> 60" Lap Belt	No Charge	
<input type="checkbox"/> 70" Lap Belt	No Charge	
<input type="checkbox"/> 80" Lap Belt	No Charge	
<input type="checkbox"/> 90" Lap Belt	No Charge	

LOWEST SEAT-TO-FLOOR HEIGHTS⁹

Description	Lowest Seat-to-Floor
Contoured Seating	21.25"
Specialty Seat	16.25"
Synergy Seat	17.75"

FOOTNOTES

- Measurement is taken from the inside of the headrest
- N/A on reclining seats.
- Available with TRU-Comfort.
- S/A laterals interfere w/ flip-back arms.
- Includes mounting bracket and hardware.
- N/A on manual recline high-back.
- Manual Tilt w/ Shape Back and oxygen holder require the use of a pushbar.
- N/A w/ tilt systems.
- All measurements +/- 1/8" with 18" x 18" seat, fixed towers, 300 lbs. weight capacity and solid tires (add 3/8" with pneumatic tires). Increased widths may increase seat-to-floor height. Contact customer service for details. Listed measurements are in the lowest position. It does not include elevating systems.