

**Q640 Series**Order Form / Price List  
Revised: October 2010**Pride Mobility Products Corporation®**

182 Susquehanna Ave., Exeter, PA 18643

Sales: Phone: (866) 800-2002 • Fax: (866) 707-3422

This product is available for purchase online at [www.mypride.com](http://www.mypride.com)

<b>Account #:</b>	<b>Date:</b>	<b>Order No.</b>	<b>Fax No.</b>	<b>Phone No.</b>
<b>Bill To:</b>	<b>Ship To:</b>		<b>P.O. #:</b>	Discount:
<b>Address:</b>	<b>Address:</b>			Terms:
<b>Phone Contact:</b>	<b>Marked For:</b>			Freight:
DME providers are responsible for determining appropriate billing codes when submitting for insurance reimbursement. HCPCS codes should not be considered as legal advice.				All pricing is MSRP. Taken By:

**SPECIFIC CONFIGURATION**

<input type="checkbox"/> Q640 4S-SS	<b>K0868</b>	\$7,695
<input type="checkbox"/> Q640 4S-C	<b>K0869</b>	\$7,695
<input type="checkbox"/> Q640 4SP-SS	<b>K0897</b>	\$7,895
<input type="checkbox"/> Q640 4MP-SS	<b>K0884</b>	\$7,695

**COLORS****Metallic Colors:**

<input type="checkbox"/> Champagne	NC
<input type="checkbox"/> Candy Apple Red	NC
<input type="checkbox"/> Viper Blue	NC
<input type="checkbox"/> Onyx Black	NC
<input type="checkbox"/> Sunburst Orange	NC
<input type="checkbox"/> Pearl Pink	NC
<input type="checkbox"/> Pewter	NC
<input type="checkbox"/> Silver	NC
<input type="checkbox"/> Emerald Green	NC
<input type="checkbox"/> Graphite Blue	NC
<input type="checkbox"/> Sapphire Blue	NC

**Solid Colors:**

<input type="checkbox"/> Mariner Blue	NC
<input type="checkbox"/> Cardinal Red	NC
<input type="checkbox"/> Spring Green	NC
<input type="checkbox"/> Solar Yellow	NC
<input type="checkbox"/> Violet	NC
<input type="checkbox"/> Kelly Green	NC
<input type="checkbox"/> Tangerine	NC

**BATTERIES (2 required)**

<input type="checkbox"/> NF-22, 50 amp AGM	<b>E2361</b>	\$255ea
<input type="checkbox"/> NF-22, 50 amp Gel Cell	<b>E2361</b>	\$295ea

**BATTERY CHARGER**

<input type="checkbox"/> 8 amp Off-board Charger	Std.
--	------

**LED FULL LIGHT PACKAGE**

Includes light module, lights, harnesses &amp; brackets

<input type="checkbox"/> Through Q-Logic EX w/ lights	\$995
---	-------

Neither applicable w/ Synergy Manual Tilt

**JOYSTICK MOUNT**

<input type="checkbox"/> Fixed, In-Line Joystick Mount	Std.
<input type="checkbox"/> Left <input type="checkbox"/> Right	
<input type="checkbox"/> Quick Disconnect, Joystick Mount <sup>5,26</sup>	NC
<input type="checkbox"/> Left <input type="checkbox"/> Right	
<input type="checkbox"/> Swing-away Joystick Mount <sup>27</sup>	<b>E1028</b> \$210
<input type="checkbox"/> 4" <sup>22</sup> <input type="checkbox"/> 7"	
<input type="checkbox"/> Left <input type="checkbox"/> Right	
<input type="checkbox"/> Multi-axis Joystick Mount	<b>K0108</b> \$100
<input type="checkbox"/> Left <input type="checkbox"/> Right	
(Fixed, does not swing-away)	
<input type="checkbox"/> Vertical Adj. Clamp <sup>8</sup>	<b>K0108</b> \$95
Provides vertical joystick adjustment w/o adjusting armrest height.	

**NON-EXPANDABLE CONTROLS**

<input type="checkbox"/> NE 75 amp5	NC
<input type="checkbox"/> NE + 6-Key 75 amp <sup>3,5</sup>	Std.
(Tilt through joystick or switch)	

**EXPANDABLE CONTROLS**

All joysticks or enhanced display must be used in conjunction a Q-Logic controller

## CONTROLLER OPTIONS

<input type="checkbox"/> Q-Logic EX Controller	<b>E2377</b>	\$695
<input type="checkbox"/> Harness for Expandable Controller	<b>E2313</b>	\$350

**JOYSTICK OPTIONS**

Pride is submitting for the establishment of a new HCPCS code for the Upgraded Proportional Joystick. Call for billing information.

## Q-Logic Electronics

<input type="checkbox"/> 80 amp Q-Logic EX Joystick <sup>3,5,25</sup>	\$700
<input type="checkbox"/> 80 amp Q-Logic EX w/ lights	\$700
Required for use with LED light package	
Can operate all power positioning functions	
<input type="checkbox"/> 80 amp Q-Logic EX Stand Alone Joystick <sup>3,7,25</sup>	<b>E2373</b> \$700

<input type="checkbox"/> Q-logic EX Enhanced Display <sup>2,21</sup>	\$1720
--	--------

(Requires a secondary control to operate the power chair)

Joystick includes electronics &amp; junction boxes.

**PROGRAMMER**

<input type="checkbox"/> Q-Logic Programmer	\$423
<input type="checkbox"/> VR2 Programmer	\$423

**JOYSTICK HANDLE OPTIONS**

PG & Q-Logic EX		
<input type="checkbox"/> Std. Knob		Std.
<input type="checkbox"/> Mushroom Handle	<b>E2323</b>	\$71
<input type="checkbox"/> T-Bar	<b>E2323</b>	\$107
<input type="checkbox"/> Chin Cup	<b>E2324<sup>1</sup></b>	\$71
<input type="checkbox"/> Extended I-Handle	<b>E2323</b>	\$71
<input type="checkbox"/> Soft Ball Handle	<b>E2323</b>	\$50
<input type="checkbox"/> Medium Ball Handle	<b>E2323</b>	\$50
<input type="checkbox"/> Goal Post Handle	<b>E2323</b>	\$66
<input type="checkbox"/> 3" W <input type="checkbox"/> 4" W		

**RIM COLOR**

<input type="checkbox"/> Black	NC
<input type="checkbox"/> Silver	NC

**DRIVE WHEELS**

<input type="checkbox"/> 14" Pneumatic (pair) <sup>16</sup>	NC
<input type="checkbox"/> 14" Flat-Free (pair)	Std.

## Q640 Series

Order Form / Price List  
Revised: October 2010

### SWING-AWAY LEGRESTS

<input type="checkbox"/> 70° Swing-away footrests Style #8 <sup>24</sup>	\$162
<input type="checkbox"/> 70° Tapered S/A footrests Style #8 <sup>24</sup>	\$162
<b>(N/C with power positioning systems)</b>	
<input type="checkbox"/> Quad Release Lever	NC
<input type="checkbox"/> S/A Standard Extensions:	NC
<input type="checkbox"/> 11"-13" Ext.	NC
<input type="checkbox"/> 13"-16.5" Ext.	Std.
<input type="checkbox"/> 15.5"-19.5" Ext.	NC
<b>(Lengths over 17" may cause interference)</b>	
<input type="checkbox"/> Extruded Footplate	Std.
<input type="checkbox"/> 7.25" x 6" <sup>10</sup> (Tapered legs require 18"W or greater seat)	
<input type="checkbox"/> 8.5 x 6" <sup>9</sup> (Tapered legs require 20"W or greater seat)	
<b>Angle Adjustable Footplates (pair) K0040</b>	\$150
<input type="checkbox"/> 4"x6" <sup>4</sup> (Tapered legs require 16"W or greater seat)	
<input type="checkbox"/> 5"x6" <sup>10</sup> (Tapered legs require 18"W or greater seat)	
<input type="checkbox"/> 5"x8" <sup>10</sup> (Tapered legs require 18"W or greater seat)	
<input type="checkbox"/> 6"x8" <sup>9</sup> (Tapered legs require 20"W or greater seat)	
<input type="checkbox"/> 6"x11" <sup>9</sup> (Tapered legs require 20"W or greater seat)	
<input type="checkbox"/> 8"x11" <sup>11</sup> (Tapered legs require 24"W or greater seat)	
<input type="checkbox"/> Wheel Bumpers	\$25
<b><input type="checkbox"/> Multi-Axis Ext. (ball &amp; socket)</b>	
<input type="checkbox"/> 11"-16.5" Ext.	
<input type="checkbox"/> 15.5"-19.5" Ext.	
<b>(Lengths over 17" may cause interference)</b>	
<b>Multi-Axis Footplates (pair):K0040</b>	\$495
<input type="checkbox"/> 4"x6" <sup>4</sup> (Tapered legs require 16"W or greater seat)	
<input type="checkbox"/> 5"x6" <sup>10</sup> (Tapered legs require 18"W or greater seat)	
<input type="checkbox"/> 5"x8" <sup>10</sup> (Tapered legs require 18"W or greater seat)	
<input type="checkbox"/> 6"x8" <sup>9</sup> (Tapered legs require 20"W or greater seat)	
<input type="checkbox"/> 6"x11" <sup>9</sup> (Tapered legs require 20"W or greater seat)	
<input type="checkbox"/> 8"x11" <sup>11</sup> (Tapered legs require 24"W or greater seat)	
<input type="checkbox"/> Wheel Bumpers	\$25

<input type="checkbox"/> Elevating Leg Rests	E0990	\$325
Select footplate size for above:		
<input type="checkbox"/> 7 1/4 x 6	<input type="checkbox"/> 8 1/2 x 6	
Adjustable Calf Pads w/ ELRS (1 hole std.)		
<input type="checkbox"/> 1 hole	<input type="checkbox"/> 3 holes*	<input type="checkbox"/> 6 holes*
<b>*Potential for interference w/ shrouds</b>		
Extensions:		
<input type="checkbox"/> 11" - 14" Ext.		
<input type="checkbox"/> 14" - 17" Ext.		
<b>(Lengths over 17" may cause interference)</b>		

<input type="checkbox"/> HD Drop-Ins, 70 <sup>9,15,20</sup>	\$420
<b>N/A w/ contoured or Specialty seating</b>	
Angle Extensions:	NC
<input type="checkbox"/> 12" - 14.5" Ext.	
<input type="checkbox"/> 14.5" - 18" Ext.	
<input type="checkbox"/> 17.5" - 21" Ext.	
<b>(Lengths over 17" may cause interference)</b>	

### FRONT RIGGINGS CONT.

<input type="checkbox"/> 90° Pediatric Swing-Away footrests Style #8 <sup>24</sup>	\$162		
Extension Range 7" - 10"			
Footplates, Ang. Adj.: <input type="checkbox"/> 4"x6" <sup>9,4</sup>	<input type="checkbox"/> 5"x6" <sup>10</sup>		
<input type="checkbox"/> Foot Platform (Substitute for S/A)	NC		
fixed bracket, does not elevate			
<input type="checkbox"/> No Front Rigging	NC		
<input type="checkbox"/> Power-elevating, high-pivot <sup>17</sup>	E1010 \$1695		
Legrests, (calf pads included) <sup>19</sup>			
<input type="checkbox"/> Independent	<input type="checkbox"/> Combined	<input type="checkbox"/> Synchronized <sup>18</sup>	
<input type="checkbox"/> Power-elevating,			
Articulating Legrests <sup>17,20</sup>	E1010	\$2395	
Articulating Range: <input type="checkbox"/> 4" L	Std.	<input type="checkbox"/> 6" L	NC
Set at: <input type="checkbox"/> 70°			
<input type="checkbox"/> Independent	<input type="checkbox"/> Combined	<input type="checkbox"/> Synchronized <sup>18</sup>	
<input type="checkbox"/> Swing-away Power-elevating,			
Articulating Legrests <sup>6,17,20</sup>	E1010	\$2395	
Articulating Range: <input type="checkbox"/> 4" L		Std.	
Set at: <input type="checkbox"/> 70°			
<input type="checkbox"/> Quad Release Lever			NC
<input type="checkbox"/> Independent	<input type="checkbox"/> Combined	<input type="checkbox"/> Synchronized <sup>18</sup>	
<input type="checkbox"/> Calf Pads Left & Right (6 x 5.35)			Std.
<input type="checkbox"/> Calf Pads Left & Right (8.00 x 5.86)			NC
<input type="checkbox"/> Power Articulating Foot Platform	K0108	\$2,895	
<input type="checkbox"/> Synchronized		<input type="checkbox"/> Non-Synchronized	
w/ split ang. adj. foot platform			
-8" of Articulation			
- Elevation range 90°-170°			
Adjustment Packages			NC
<input type="checkbox"/> 12"-14"		<input type="checkbox"/> 14"-16"	
<input type="checkbox"/> 16"-18" (depth adj)		<input type="checkbox"/> 18"-20" (depth adj)	
Select Foot platform for above: <input type="checkbox"/> Adult <input type="checkbox"/> Pediatric <sup>23</sup>			
<b>(Lengths over 17" may cause interference)</b>			
18"- 20" Adj. Package requires a minimum STF			
of 20" to accommodate for ground clearance			
<input type="checkbox"/> Connection Bracket			\$49
<input type="checkbox"/> Heel Cups	K0108		\$39
Footplates (pair)			
<input type="checkbox"/> Reinforced Footplate			Std.
<input type="checkbox"/> 7.25" x 6" <sup>10</sup>		<input type="checkbox"/> 8.5 x 6" <sup>9</sup>	
<input type="checkbox"/> 5"x8" Angle-Adj. Footplate <sup>10</sup>	K0040		\$150
<input type="checkbox"/> 6"x8" Angle-Adj. Footplate <sup>9</sup>	K0040		\$150
<input type="checkbox"/> 6"x11" Angle-Adj. Footplate <sup>9</sup>	K0040		\$150
<input type="checkbox"/> 8"x11" Angle-Adj. Footplate <sup>11</sup>	K0040		\$150
<input type="checkbox"/> Wheel Bumpers (Ang-adj. only)			
<b>Extensions:<sup>12</sup></b>			
<input type="checkbox"/> 11"-14" Ext. <sup>6</sup> (\$125 w/ power legs)			NC
<input type="checkbox"/> 14"-17" Ext			Std.
<input type="checkbox"/> High mount Clamp-on; Ang. Adj.	K0040		\$326
<input type="checkbox"/> Small		<input type="checkbox"/> Large	
<input type="checkbox"/> High mount Clamp-on; Multi-axis	K0040		\$412
<input type="checkbox"/> Small		<input type="checkbox"/> Large	
<input type="checkbox"/> High mount footplatform <sup>19</sup>	K0108		\$450
<input type="checkbox"/> Mid-wheel 6 foot platform			
Lower Extensions			
<input type="checkbox"/> 10"-14" L			
<input type="checkbox"/> 14"-17" L			
<b>Rigging Options</b>			
<input type="checkbox"/> Heel Loops (pair) <sup>13</sup>	E0951		\$38
<input type="checkbox"/> Gel Neoprene Footrest	K0108		
Sleeve (pair) <sup>14</sup>			
<input type="checkbox"/> ELR / ALR Adductor Buttons (pair)	K0108		\$100
<input type="checkbox"/> POSAlinc Knee Adductor (pair)			
for S/A legrests	K0108		\$464
<input type="checkbox"/> Residual limb support left	E1020		\$300
<input type="checkbox"/> Residual limb support right	E1020		\$300

### Footnotes for pages 1 & 2

1. HCPCS code E2323 when not used in conjunction with chin control.
2. Please consult specialty controls order form for a variety of secondary controls and mounting options.
3. Needed for controlling power positioning systems.
4. Only avail. on 12" W or greater seats.
5. N/A w/ 2-post, desk length arms w/ a toggle.
6. 11" - 14" Ext. are N/A w/ power S/A legrests.
7. Avail. w/ 3 profiles.
8. N/A on Specialty, contoured seating or waterfall armpads.
9. Only avail. on 16" W or greater seats.
10. Only avail. on 14" W or greater seats.
11. Only avail. on 20" W or greater seats.
12. Knee to heel length is measured from the top of the legrest to the footplate. It will increase when contoured or rehab seating w/ cushions is selected. The overall length may vary approx. 3" depending on choice of seat and /or cushion.
13. Std. w/ ang-adj. footplates.
14. Avail. w/ S/A footrests & 70 degree HD drop-ins.
15. May cause interference w/ front anti-tips w/ certain seat widths and lower leg lengths. Call Customer Service.
16. If ordered w/ reference guides or configuration packages discounts may apply.
17. Power legrests are only available on TRU-Balance and Synergy Seating Systems. Only the combined & independent motion can be selected on the Synergy Seat.
18. Only avail. on TB Recline.
19. Std. calf pad is not depth adjustable.
20. Std. w/ heel loops & ang-adj. footplates, check size below.
21. Bluetooth Mouse Emulator requires a run plug harness for either static or power seating. Additional fees will apply.
22. N/A with waterfall armpads and dual post armrests.
23. Pediatric foot platform is N/A w/ 16"-18 & 18"-20" extensions.
24. Please note swing away footrests are standard when ordered with Power Positioning.
25. Separately reimbursable through Medicare for multiple power units.
26. N/A w/ waterfall armpads; only available on Quantum Seating Systems and only one option maybe mounted.
27. Can only mount one armrest accessory in combination w/ S/A joystick.

## Q640 Series

Order Form / Price List  
Revised: October 2010

### STANDARD SEATING

Medium-Back NC

Medium-Back w/ Solid Seat Pan<sup>1,2</sup> NC

- Brown Vinyl
- Beige Vinyl
- Gray Vinyl
- Black Vinyl
- Gray Fabric
- Brown Fabric

Medium-Back Seating Dimensions  
(Dimensions 18"W x 18"D)

Width:  16" NC  18" Std. Depth:  16" NC  18" Std.

### UPGRADED SEATING

Ltd. Recline High-Back w/ Headrest NC

Ltd. Recline High-Back with Headrest<sup>1,2</sup> w/ Solid Seat Pan NC

- Black Vinyl
- Gray Vinyl
- Beige Vinyl
- Gray Fabric
- Brown Fabric

High-Back Seating Dimensions  
(Dimensions 18"W x 18"D)

Width:  16" NC  18" Std.  20" NC  22" NC Depth:  16" NC  18" Std.  20" NC

**22" W AND ABOVE WILL NOT BE LTD RECLINE.**

### ARMRESTS

For Medium and High-Back Seats

Flip-up, removable Std.  
 Flip-up, height-adjustable E0973 \$170 removable<sup>4</sup>

Armpads

Desk Length, 10" NC  
 Left NC  Right NC  
 Full Length, 14" NC  
 Left Std.  Right Std.

### MANUAL RECLINER<sup>2,5</sup>

Manual Recline High Back E1226 \$600

Manual Recline High Back<sup>1</sup> w/ Solid Seat Pan E1226 \$600  
(180 degrees of Recline)  
(Dimensions 18"W x 18"D)

Gray Vinyl  Beige Vinyl  
Width:  16" NC  18" Std.  20" NC Depth:  16" NC  18" Std.  20" NC

When ordering a lap belt with this seat, an additional 10" is added to accommodate usable length

### CUSHIONS<sup>6</sup>

<input type="checkbox"/> Simplicity Cushion			
16 x 16 - 20 x 20	E2601	\$98	
<input type="checkbox"/> Solution 1 Cushion			
14 x 14 - 20 x 18	E2603	\$380	
20 x 20 - 20 x 24	E2603	\$430	
22 x 16 - 24 x 24	E2604	\$430	
<input type="checkbox"/> Solution Cushion			
10 x 10 - 20 x 18	E2607	\$380	
20 x 20 - 20 x 20	E2607	\$430	
22 x 16 - 22 x 20	E2608	\$430	
<input type="checkbox"/> Spectrum Cushion			
<input type="checkbox"/> Gel			
10 x 10 - 20 x 18	E2605	\$480	
20 x 20 - 20 x 20	E2605	\$530	
22 x 16 - 22 x 20	E2606	\$530	
<input type="checkbox"/> Visco			
10 x 10 - 20 x 18	E2607	\$480	
20 x 20 - 20 x 20	E2607	\$530	
22 x 16 - 22 x 20	E2608	\$530	
<input type="checkbox"/> Spectrum Air			
14 x 12 - 20 x 24	K0734	\$480	
22 x 16 - 24 x 24	K0735	\$530	
<input type="checkbox"/> Spectrum Air Contour			
14 x 12 - 20 x 24	K0736	\$499	
22 x 16 - 24 x 24	K0737	\$549	

### SPECIALTY SEATING

Specialty Seat Kit (limited adjustability) NC

#### SYSTEM SPECIFICATIONS

Specialty Seating Kit Width

<input type="checkbox"/> 16" NC	
<input type="checkbox"/> 18" Std.	
<input type="checkbox"/> 20" NC	
<b>Specialty Seating Kit Depth</b>	
<input type="checkbox"/> 16" Std.	<input type="checkbox"/> 17" NC
<input type="checkbox"/> 18" NC	<input type="checkbox"/> 19" NC
<input type="checkbox"/> 20" NC	

**Specialty Seating Kit Back Cane Height**

<input type="checkbox"/> 18" Std.	<input type="checkbox"/> 20" NC
<input type="checkbox"/> 22" NC	

**Back Selection**

See Synergy Shape Back Order Form<sup>11,12,13</sup> \$275  
 Solid Plate Back up to 20" W<sup>8</sup>  
 Omit Back  
 See Positioning Components Order Form for additional backs

**Back Height Solid Pan<sup>14</sup>**

<input type="checkbox"/> 18" Std.	<input type="checkbox"/> 19" NC
<input type="checkbox"/> 20" NC	<input type="checkbox"/> 21" NC
<input type="checkbox"/> 22" NC	<input type="checkbox"/> 23" NC
<input type="checkbox"/> 24" NC	<input type="checkbox"/> 25" NC

Sling Back

16" wide \$98  
 18" wide \$98  
 20" wide \$98

**Sling Back Height**

(Hgt must match cane hgt.)

18" height NC  
 20" height NC  
 22" height NC

Push Bar selection must match back width; center tube standard when selecting flip-up arms.

### ARMRESTS

2-Post, fixed, flip-back<sup>13,16</sup> Std.  
 Flip-back, cane mounted<sup>13,16</sup> \$95ea  
 Removable, adjustable, quick height<sup>7,15</sup> E0973 \$275ea  
11"-17" of height adj. 3" on top in 1/2" increments & 3" on bottom in 1" increments  
 Removable, height adjustable<sup>7</sup> E0973 \$150ea heavy duty armrests  
 8"H-12"H  10"H-14"H

Armrest Pads

Full Length, straight, 2"x14" NC  
 Left  Right  
 Desk Length, straight, 2"x10" NC  
 Left  Right  
 Full Length, Waterfall, 2"x14"<sup>10</sup> NC  
 Left  Right  
 Desk Length, Waterfall, 2"x10"<sup>9,10</sup> NC  
 Left  Right

### HEAD REST<sup>3</sup>

Stealth E0955  
 Large (11"W x 6" H)  Small (9 3/4" W x 3" H) \$205  
 Stealth Comfort Plus E0955  
 Small (10"W)  Large (14" W) \$205  
 Removable Head Rest Bracket E1028 \$210  
 Stealth, swing-away (Flip-Down) Head Rest Bracket E1028 \$210

Interfaces w/ any headrest that uses 1/2" square down-tube.

Medical Applications E0955

Large (11"W x 6" H)  Small (9 3/4" W x 3" H) \$230  
 Removable Head Rest Bracket E1028 \$235  
 Fixed, Offset Mounting Bracket NC  
 Removable Bracket for E1028 \$210 after market headrest

### Footnotes for page 3:

- Includes black vinyl seat pan, back available in all listed colors.
- 18" x 18" std. Special measurements are not available.
- Only available w/ solid backs.
- N/A on manual recliner.
- Rear mount accessories are N/A.
- See Synergy Cushion order forms for detailed pricing, sizes & codes.
- Desk length armrests w/ an accessory limit the accessibility to the height adj. lever.
- 20"D is N/A.
- S/A joystick mount N/A.
- Only avail. on removable, adjustable, quick-height arms & pediatric arms.
- 14" & 22" width are N/A.
- Micro-drive, Shape Back & high-mount foot platform are N/A in the same configuration.
- Shape Back & w/ flip-back arms may interfere in the same configuration, call for details.
- Measured from seat pan to top of back pan w/ 3" gap to accommodate the cushion.
- Tools are required to obtain additional 4" of height adjustment at bottom of armrest. 3" of adjustment at top requires no tools. Total available adjustment range is 11" - 17".
- S/A laterals interfere w/ flip-back arms.

**Q640 Series**

Order Form / Price List  
Revised: October 2010

**Synergy Seating Systems<sup>11</sup>**

Synergy Seating™ Frame \$434 (On chair MSRP)

Std. Stem Mount NC  
 2" Extended Vertical Stem Mounts NC

(Cannot achieve lowest Seat to Floor Height)

Synergy Manual Recline Pkg.<sup>12,13,14,15,22</sup> \$700  
Maximum weight 300 lbs. E1226

Synergy Manual Tilt Pkg.<sup>13,16</sup> \$550  
(Max Dimensions 14"W x 14"D) K0108  
Maximum weight 75 lbs.

Synergy Manual Systems come standard with mercury drive lock-out and are in addition to the MSRP of the Synergy Seat.

**WIDTH**

Set Seat Width At:

<input type="checkbox"/> 10" NC	<input type="checkbox"/> 11" NC
<input type="checkbox"/> 12" NC	<input type="checkbox"/> 13" NC
<input type="checkbox"/> 14" NC	<input type="checkbox"/> 15" NC
<input type="checkbox"/> 16" NC	<input type="checkbox"/> 17" NC
<input type="checkbox"/> 18" Std.	<input type="checkbox"/> 19" NC
<input type="checkbox"/> 20" NC	

Seat Width Package

<input type="checkbox"/> 10"W-14"W	<input type="checkbox"/> 14"W-18"W
<input type="checkbox"/> 16"W-20"W	

Seat Width Package Manual Tilt

<input type="checkbox"/> 10"W-12"W	<input type="checkbox"/> 12"W-14"W
------------------------------------	------------------------------------

**DEPTH**

Set Seat Depth At:

<input type="checkbox"/> 10" NC	<input type="checkbox"/> 11" NC
<input type="checkbox"/> 12" NC	<input type="checkbox"/> 13" NC
<input type="checkbox"/> 14" NC	<input type="checkbox"/> 15" NC
<input type="checkbox"/> 16" Std.	<input type="checkbox"/> 17" NC
<input type="checkbox"/> 18" NC	<input type="checkbox"/> 19" NC
<input type="checkbox"/> 20" NC	

Seat Depth Package

<input type="checkbox"/> 10"D-14"D	<input type="checkbox"/> 14"D-18"D
<input type="checkbox"/> 16"D-20"D	

Seat Depth Package Manual Tilt

<input type="checkbox"/> 10"D-14"D
------------------------------------

Please consult your Quantum Specialist or contact the Custom Group before ordering

**BACK CANES<sup>23</sup>**

Back Canes w/ push handles Std.  
 Back Canes w/out push handles \$125  
 Flip Forward<sup>24</sup> \$150  
 Offset (Meso) \$195  Inset (Endo) \$195  
 2" (1" per side)  4" (2" per side)  
N/A with TRU-Comfort, Dual Post, Flip-back armrests may interfere with offset armrests.  
N/A w/ any reclining systems.

Actual Back Cane Height is reflected in measurement

Synergy Manual Recline comes standard with 22" non-height adjustable back canes.

**Back Cane Height**

<input type="checkbox"/> 14" NC	<input type="checkbox"/> 15" NC
<input type="checkbox"/> 16" NC	<input type="checkbox"/> 17" NC
<input type="checkbox"/> 18" Std.	<input type="checkbox"/> 19" NC
<input type="checkbox"/> 20" NC	<input type="checkbox"/> 21" NC
<input type="checkbox"/> 22" NC	<input type="checkbox"/> 23" NC
<input type="checkbox"/> 24" NC	<input type="checkbox"/> 25" NC

**BACK OPTIONS**

See Synergy Shape Back Order Form<sup>1,3</sup>  
 Solid Plate Back up to 20" W<sup>9</sup> \$275

Back Height:<sup>4</sup>

<input type="checkbox"/> 18"H	<input type="checkbox"/> 19"H	<input type="checkbox"/> 20"H	<input type="checkbox"/> 21"H
<input type="checkbox"/> 22"H	<input type="checkbox"/> 23"H	<input type="checkbox"/> 24"H	<input type="checkbox"/> 25"H
<input type="checkbox"/> Sling Back <sup>20</sup>			\$98

Back height will be the same as back cane height. Includes gap for cushion.

Push Bar selection must match back width; center tube standard when selecting flip-up arms.

TRU-Comfort Back<sup>4,12</sup>

(Even sizes only 16" W - 20"W)

Std.  New Plus

Back Height:  22"  25"  
 Back up to 20" W E2620 \$595

<input type="checkbox"/> TRU-Comfort Cushion	
16 x 16 - 20 x 18 E2601	\$380
20 x 20 - 20 x 22 E2601	\$380
22 x 16 - 22 x 24 E2602	\$480

<input type="checkbox"/> TRU-Comfort Plus Cushion	
16 x 16 - 20 x 18 E2603	\$380
20 x 20 - 20 x 22 E2603	\$380
22 x 16 - 22 x 24 E2604	\$480

Omit Back -(\$100)

See TRU-Comfort Back & Cushion order forms for specific sizes

TRU-Comfort Plus-utilizes a 4-way stretch material cover on cushions & backs

**ARMRESTS**

Flip-back, cane mounted<sup>3,5,18</sup> Std.  
 2-Post, flip-back, height<sup>3,5,19</sup> E0973 \$150ea  
adjustable, removable

(9"-13" of height adjustment in 1" increments)  
 Single Post Height adj, removable.<sup>6,21</sup> \$75ea  
11"-17" of height adj. 3" on top in 1/2" E0973

increments & 3" on bottom in 1" increments  
 Quad Release Lever NC  
 Removable, height adjustable E0973 \$75ea  
heavy duty armrests<sup>21</sup>

8"H-12"H  10"H-14"H

Pediatric removable<sup>21</sup> E0973 \$75ea  
adjustable, quick height.

(7 3/4" - 9 3/4" height adjustment in 1/2"

increments from seat pan to top of armrest)

Match Shroud Kid Color  Black

Quad Release Lever NC

Cantilever Armrests<sup>22</sup> SOF

Angle-Adjustable: - 30° through + 30°

**ARMPADS**

Full length, Straight, 2" X 14" Std.

Left  Right

Desk Length, Straight, 2" X 10" Std.

Left  Right

Full Length, Waterfall, 2" X 14"<sup>7</sup> NC

Left  Right

Desk Length, Waterfall, 2" X 10"<sup>7,17</sup> NC

Left  Right

**HEAD REST<sup>8</sup>**

Stealth E0955

Large (11"W x 6" H)  Small (9 3/4" W x 3" H) \$205

Stealth Comfort Plus E0955

Small (10"W)  Large (14" W) \$205

Removable Head Rest Bracket E1028 \$210

Stealth, swing-away (Flip-Down)

Head Rest Bracket E1028 \$210

Interfaces w/ any headrest that uses 1/2" square down-tube.

Medical Applications E0955

Large (11"W x 6" H)  Small (9 3/4" W x 3" H) \$230

Removable Head Rest Bracket E1028 \$235

Fixed, Offset Mounting Bracket NC

TRU-Comfort E0955

8" W  Leatherette \$205

10" W  Plus \$205

Cobra Removable Head Rest Bracket E1028 \$210

Removable Bracket for E1028 \$210  
after market headrest

No Headrest Required

**Footnotes for pages 4:**

- 14" & 22" width are N/A.
- Micro-drive, Shape Back & high-mount foot platform are N/A in the same configuration.
- Shape Back & w/ flip-back arms may interfere in the same configuration, call for details.
- Measured from seat pan to top of back pan w/ 3" gap to accommodate the cushion.
- S/A laterals interfere w/ flip-back arms.
- Tools are required to obtain additional 4" of height adjustment at bottom of armrest. 3" of adjustment at top requires no tools. Total available adjustment range is 11" - 17".
- Only avail. on removable, adjustable, quick-height arms & pediatric arms.
- Available w/ solid backs only.
- Solid plate back is N/A w/manual recline.
- N/A w/ manual systems or power elevating seat.
- Manual systems do not include a headrest.
- N/A w/ flip-back, cane mounted arms.
- Solid back not included.
- Includes removable, adjustable, quick-height armrests.
- N/A w/ Shape Back.
- Manual Tilt w/ Shape back & oxygen tank holder requires the use of a pushbar.
- N/A w/ S/A joystick mount.
- N/A w/ Synergy manual recline.
- May cause interference with certain dimension configurations. Call Quantum Customer Service.
- N/A w/ Synergy manual systems.
- Desk length armrests w/ an accessory limit the accessibility to the height adj. lever.
- Height Adjustment 11" - 17" depends on back cane height. N/A w/ manual recline, flip-forward back canes, Cane Clamp Push Bar, Shape Back, Sling back & Specialty Seat Call for details when selecting after market arm troughs or Universal Swivel w/ desk length arms.

## Q640 Series

Order Form / Price List  
Revised: October 2010

### TRU-BALANCE TILT

- TRU-Balance Power Tilt **E1002** \$4,995  
55 degree center of gravity (CG) power tilt seating system. 300lbs weight capacity.

### TRU-BALANCE RECLINE

- TRU-Balance Power Recline **E1004** \$5,595  
**Full Drive lock-out at 20 degrees**  
**300 lbs. weight capacity**

### TRU-BALANCE TILT & RECLINE

- TRU-Balance Power Tilt & Recline **E1007** \$9,595  
**Full Drive lock-out at 20 degrees**  
**300 lbs. weight capacity**  
**55 degree center of gravity (CG) power tilt seating system.**

### TRU-BALANCE 10" LIFT

- TRU-Balance 10" of Lift \$2,895  
**- 10" of scissor Lift, must select TB2 Tilt or TB2 Tilt & Recline in conjunction with this lift**  
**- 1/4 Speed Inhibit**  
**- 300 lbs. max. wt.**  
**- Allowable dimensions 16" x 16" - 20" x 20"**  
**- Requires Q-Logic, N/A w/ Q-logic & toggle**  
**- N/A w/ TB2 Recline only or Manual Recline**  
**- N/A w/ static seating**  
**- Requires fixed towers**  
**- Increases seat-to-floor**

## SYSTEM SPECIFICATIONS

- Tower Selection (Tilt or Tilt/Recline only)**  
 Adjustable-angle Std.  
Will raise minimum STF by 7/8".  
 Fixed NC

#### Set Seat Width At:

- 14" NC  15" NC  16" NC  
 17" NC  18" Std.  19" NC  
 20" NC

#### Seat Width Package

- 14"W-18"W  16"W-20"W

#### Set Seat Depth At:

- 14" NC  15" NC  16" Std.  
 17" NC  18" NC  19" NC  
 20" NC

#### Seat Depth Package

- 14"D-18"D  16"D-20"D

**Push Bar selection must match back width; center tube standard when selecting flip-up arms.**

Please consult your Quantum Specialist or contact the Custom Group before ordering

### BACK CANES<sup>24</sup>

- Back Canes w/ push handles Std.  
 Back Canes w/out push handles \$125  
 Flip Forward<sup>28</sup> \$150  
 Offset (Meso) \$195  Inset (Endo) \$195  
 2" (1" per side)  4" (2" per side)  
**N/A with TRU-Comfort, Dual Post, Flip-back armrests may interfere with offset armrests .**  
**N/A w/ any reclining systems.**

Actual Back Cane Height is reflected in measurement

- 22" Fold-down back canes \$250  
**Only Avail. on Tilt & Lift & Tilt**

#### Set Back Cane Height At:

- |                                   |                                 |
|-----------------------------------|---------------------------------|
| <input type="checkbox"/> 14" NC   | <input type="checkbox"/> 15" NC |
| <input type="checkbox"/> 16" Std. | <input type="checkbox"/> 17" NC |
| <input type="checkbox"/> 18" NC   | <input type="checkbox"/> 19" NC |
| <input type="checkbox"/> 20" NC   | <input type="checkbox"/> 21" NC |
| <input type="checkbox"/> 22" NC   | <input type="checkbox"/> 23" NC |
| <input type="checkbox"/> 24" NC   | <input type="checkbox"/> 25" NC |

#### Seat Overall Back Height<sup>1</sup>

Back heights of 22"-28" include a 6" lateral extension. Please select if required

with other back heights

#### 6" Lateral Extensions NC

- |                                 |                                   |                                 |
|---------------------------------|-----------------------------------|---------------------------------|
| <input type="checkbox"/> 14" NC | <input type="checkbox"/> 15" NC   | <input type="checkbox"/> 16" NC |
| <input type="checkbox"/> 17" NC | <input type="checkbox"/> 18" Std. | <input type="checkbox"/> 19" NC |
| <input type="checkbox"/> 20" NC | <input type="checkbox"/> 21" NC   | <input type="checkbox"/> 22" NC |
| <input type="checkbox"/> 23" NC | <input type="checkbox"/> 24" NC   | <input type="checkbox"/> 25" NC |

## BACKS

- See Synergy Shape Back Order Form  
 Solid Plate Back<sup>2</sup> Std.  
 Omit Back  
 Attendant manual recline<sup>2,3,4,5,23</sup> **E1226** \$750  
180 degrees of recline with 2 1/2" raised pivot point. Controlled through dual gas struts. 300 lb. weight capacity.  
**(For use on TB Tilt Systems only)**  
 TRU-Balance Reclining Back Std.  
**(For use on Recline Systems only)**  
 After market back interface<sup>29</sup> \$200  
(for use on recline systems only. Brackets for mounting aftermarket backs, back not included)  
 TRU-Comfort Back<sup>2,13,14</sup>  
**(Even sizes only 16" W - 20"W)**  
 Std.  New Plus  
**Back Height:**  22"  25"  
 Back up to 20" W **E2620** \$595  
 TRU-Comfort Cushion  
16 x 16 - 20 x 18 **E2601** \$380  
20 x 20 - 20 x 22 **E2601** \$380  
22 x 16 - 22 x 24 **E2602** \$480  
 TRU-Comfort Plus Cushion  
16 x 16 - 20 x 18 **E2603** \$380  
20 x 20 - 20 x 22 **E2603** \$380  
22 x 16 - 22 x 24 **E2604** \$480  
 Omit Back (-\$100)

See TRU-Comfort Back & Cushion order forms for specific sizes

TRU-Comfort Plus-utilizes a 4-way stretch material cover on cushions & backs

## ARMRESTS

- Flip-back, cane mounted<sup>6,7,8,9</sup> Std.  
Mounted on back canes with full width spreader bar.  
 2-Post, flip-back, hgt. adj, removable<sup>7,8</sup> NC  
(9"-13" of height adjustment in 1" increments)  
 Single Post Height adj, removable.<sup>6,10</sup> NC  
11"-17" of height adj. 3" on top in 1/2" increments & 3" on bottom in 1" increments  
 Quad Release Lever NC  
 Removable, single-post, height adjustable, heavy duty<sup>6</sup> NC  
 8"-12" Adjustment  
 10"-14" Adjustment  
 Pediatric, removable,<sup>6</sup> NC  
adjustable, quick height  
(7 3/4" - 9 3/4" height adjustment in 1/2" increments from seat pan to top of armrest)  
 Quad Release Lever NC  
 Match Shroud Kid Color  Black  
 Reclining, Flip-back<sup>8</sup> Std.  
 8"-9" H  10"-11" H  
**(For use on Recline Systems only)**

- Cantilever Armrests<sup>30</sup> SOF  
Angle-Adjustable: - 30° through + 30°

### Armrest Pads

- Full Length, straight, 2"x14" NC  
 Left  Right  
 Desk Length, straight, 2"x10" NC  
 Left  Right  
 Full Length, Waterfall, 2"x14"<sup>11</sup> NC  
 Left  Right  
 Desk Length, Waterfall, 2"x10"<sup>11,12</sup> NC  
 Left  Right

## HEAD REST

- Stealth **E0955**  
 Large (11"W x 6" H)  Small (9 3/4" W x 3" H) \$205  
 Stealth Comfort Plus **E0955**  
 Small (10"W)  Large (14" W) \$205  
 Removable Head Rest Bracket **E1028** \$210  
 Stealth, swing-away (Flip-Down)  
Head Rest Bracket **E1028** \$210  
Interfaces w/ any headrest that uses 1/2" square down-tube.  
 Medical Applications **E0955**  
 Large (11"W x 6" H)  Small (9 3/4" W x 3" H) \$230  
 Removable Head Rest Bracket **E1028** \$235  
 Fixed, Offset Mounting Bracket NC  
 Reclining Head Rest (6.5" x 7") **E0955** \$205  
 Removable Head Rest Bracket **E1028** \$210  
**(For use on Recline Systems only)**  
 TRU-Comfort **E0955**  
 8" W  Leatherette \$205  
 10" W  Plus \$205  
 Cobra Removable Head Rest Bracket **E1028** \$210  
 Removable Bracket for **E1028** \$210  
after market headrest  
 No Headrest Required

**Q640 Series**

Order Form / Price List  
Revised: October 2010

**POWER POSITIONING ELECTRONICS**

**Select Electronics to be used**

- NE (Through Toggle)
- NE + 6-Key (Through Controller)
- Q-Logic EX
- Q-Logic EX w/ lights

**SINGLE POWER ELECTRONICS**

**Power Tilt or Power Recline**

- Through Toggle Box<sup>15</sup> (Tilt only) NC
- Left  Right (mounts to side of armrest)
- Through 6-Key NE+ (Tilt only) **E2310** \$1175
- Through Single Switch(1/8" Jack) Tilt Module<sup>17,18</sup> (Tilt only) \$500
- Through Q-Logic EX Controller **E2310** \$1175
- Through Q-Logic EX w/ lights Controller **E2310** \$1175

**Multiple Motor/Actuator Electronics\*:**

**\* At least one TB2 seat function**

- plus power riggings**
- Operation Q-Logic EX Controller **E2311** \$2375
  - Operation Q-Logic EX w/ lights Controller **E2311** \$2375
  - Operation through toggle<sup>9</sup> \$2375

**When independent legs are selected; they will run combined through the toggle**

(Select one)

- 4-way Toggle
- 4-way Button Toggle
- Quad Push-Button Control

Toggle box mounts to side of armrest.

- Left  Right

**MULTIPLE POWER ELECTRONICS<sup>5</sup>**

**Power Tilt & Recline**

- Through NE+ Controller **E2311** \$2375
- Through Q-Logic EX Controller **E2311** \$2375
- Operation Q-Logic EX w/ lights Controller **E2311** \$2375
- Operation through toggle<sup>9</sup> \$2375

**When independent legs are selected; they will run combined through the toggle**

(Select one)

- 4-way Toggle
- 4-way Button Toggle
- Quad Push-Button Control

Toggle box mounts to side of armrest.

- Left  Right

**POSITIONING COMPONENTS<sup>25</sup>**

**Stealth - Available w/ TRU-Comfort**

- Thoracic Lateral Flat Pad -3x5 **E0956** \$200pr
- Thoracic Lateral Flat Pad -4x6 **E0956** \$200pr
- Thoracic Lateral Pad Curved-3x5\* **E0956** \$200pr
- Thoracic Lateral Pad Curved-4x6\* **E0956** \$200pr
- \* Applicable w/ 1" offset bracket below**
- 125° Swing Away Bracket **E1028** \$420pr

**N/A on TB Recline or TRU-Comfort**

- Thoracic Lateral Pad Curved-2x3 **E0956** \$200pr
- Swing-Away Flush to 1" Offset, Back Cane-Mounted<sup>1</sup> **E1028** \$450pr

**A.R.T. Group Laterals**

- Thoracic Curved Pad-3x4 **E0956** \$200pr
- Thoracic Curved Pad-5x6 **E0956** \$200pr
- Thoracic Tapered Pad-3x4 **E0956** \$200pr
- Thoracic Tapered Pad-4x5 **E0956** \$200pr
- Thoracic Tapered Pad-5x6 **E0956** \$200pr
- EZ Access Bracket (N/A w/ Flat Pad) **E1028** \$450pr
- Rail Mount Swing-Away Bracket<sup>16</sup> **E1028** \$420pr

(Above for use with TB 2 Recline Systems)

- Hip & Thigh Short Pad **E0956** \$90ea
- Hip & Thigh Medium Pad **E0956** \$90ea
- Hip & Thigh Long Pad **E0956** \$90ea
- Hip & Thigh Removable Bracket <sup>16</sup> **E1028** \$210ea

- 2" Height Adaptor Plate (INDPART2530) \$24.00 ea
- Must order quantity of 2 **K0108**
- Require for all Hip and Thigh Laterals

**ACCESSORIES**

- Rear Basket<sup>19,20,21</sup> **E2207** \$103
- Cane/Crutch Holder<sup>19,20,21</sup> **E2207** \$98
- Oxygen Holder<sup>19,20,21</sup> **E2208** \$103
- Oxygen Holder<sup>2,19,20,22,26</sup> **E2208** \$150
- (TRU-Balance Tilt & Synergy Seat only)
- Stroller handle \$85
- (Synergy Manual Tilt only)
- Accessory Mounting Bracket \$50
- (1" adaptor tube for use w/ TB Power Recline)
- Walker Holder<sup>19,20,21</sup> **K0108** \$92
- Flag Holder (SOF on rehab seating) \$17
- Weather Cover, Medium, Black \$158
- Saddle bag(contoured seating only) \$28
- Cup holder<sup>25</sup> \$17
- Left  Right
- Lap Belt Std.
- Pediatric 38" N/A w/ limited recline seating
- 50"<sup>21</sup>  60"  70"  80"  90"

**Footnotes for page 5 & 6:**

1. Measured from seat pan to top of back pan w/ 3-4" gap on tilt & 7-8" gap on recline to accommodate the cushion.
2. N/A w/ flip-back, cane mounted arms.
3. N/A w/ Shape Back.
4. Includes price for removable, adjustable, quick-height arms & 2-post arms.
5. Tilt & elevate combo will not have an attendant control.
6. Desk length armrests w/ an accessory limit the accessibility to the height adj. lever.
7. Shape Back & w/ flip-back arms may interfere in the same configuration, call for details.
8. S/A laterals interfere w/ flip-back arms.
9. N/A w/ Attendant manual recline.
10. Tools are required to obtain additional 4" of height adjustment at bottom of armrest. 3" of adjustment at top requires no tools. Total available adjustment range is 11" - 17".
11. Only avail. on removable, adjustable, quick-height arms & pediatric arms.
12. S/A joystick mount N/A.
13. 14"-18" recline width package N/A.
14. Back height is measured from the top of a 3" cushion on the seat.
15. N/A w/ waterfall armpads.
16. S/A laterals interfere w/ flip back arms.
17. Switch not included.
18. Consult specialty control order form for a wide variety of switch types and sizes.
19. Includes mounting bracket and hardware.
20. N/A on reclining seats.
21. N/A on manual recline high-back.
22. Manual Tilt w/ Shape Back and oxygen holder requires the use of a pushbar.
23. Solid plate back is N/A w/manual recline.
24. For use w/ recline systems only.
25. Please refer to Positioning Components order form for details on coding, hardware & pad size.
26. TB2 Tilt w/ TRU-Comfort & O<sup>2</sup> holder is SOF.
28. N/A w/ TB power recline, Endo/Meso canes, Synergy Manual Systems, vent trays, bariatric armpads, occupied transit kit and TRU-Comfort or sling backs. May also interfere w/ lateral supports and waterfall armpads. O2 Tank Holder is N/A when flip- down canes are selected w/ any TB Tilt.
29. Please Contact your Quantum Customer Representative for details.
30. Height Adjustment 11" - 17" depends on back cane height. N/A w/ manual recline, flip-forward back canes, Cane Clamp Push Bar, Shape Back, Sling back & Specialty Seat Call for details when selecting after market arm troughs or Universal Swivel w/ desk length arms.

# Q640 Series

Order Form / Price List  
Revised: October 2010

## VENT TRAY

Compact Vent Tray E1029 \$1,395

**Mounts:**  Flush\*\*  3" Offset\*  6" Offset

\* N/A w/ flip-back cane mounted arms.

\*\* N/A w/ power positioning systems

Available on Synergy, TRU-Balance 2 Power Positioning & TRU-Comfort seating.

**The addition of a compact vent tray may increase the length & weight of your power chair.**

Bracket selection is not required with TB Recline, Tilt & Recline & TRU-Comfort, the bracket is preselected.

Depending on the COG, the 6" offset bracket used with the Synergy Seat or TB Tilt may increase the power chairs overall length by a minimum of 5".

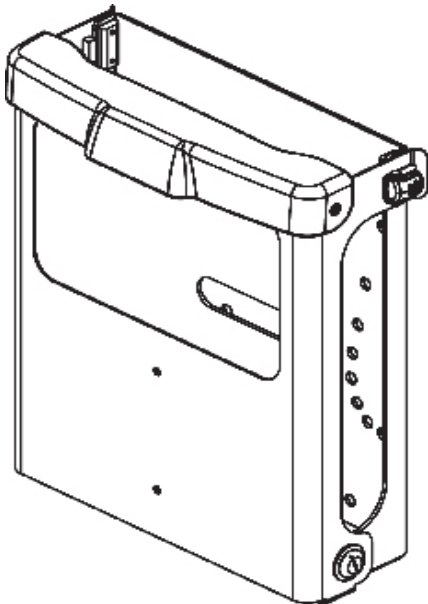
TRU-Comfort may increase the length by 6.5" (The bracket is pre-selected).

TB Recline or TB Tilt & Recline may increase the length by 5.5" (The bracket is pre-selected).

Can accommodate Pulmonetics LTV-style ventilators.

Max Dim. 3.25" H x 10.5" W x 13.5" / 20 lbs.

- If a Compact Vent Tray is selected, 1 of 3 mounting brackets must also be chosen when used in conjunction with a Synergy or TB Tilt seating system.
- 3" offset brackets or 6" offset brackets must be selected when used with an electronics box.
- N/A w/ an occupied transit kit.
- N/A w/ Shape Back or Sling Back.
- Must choose a back cane height of 20" or higher when a Synergy Seat is chosen.
- Must choose a back cane height of 22" or higher when a TRU-Balance Tilt or Lift & Tilt is chosen.
- Must choose a back cane height of 24" or higher when a TRU-Balance HD Tilt is chosen.
- N/A w/ rear mount accessories
- N/A on power positioning systems under 14" wide w/ flip-up armrests.
- N/A on Synergy manual recline, manual tilt, or flip-down back canes.
- N/A w/ TRU-Balance Pediatric Tilt
- Compact Vent is available in most configurations for 10"-24"W.



## ARTICULATING VENT TRAY

Articulating Vent Tray E1030 \$1,450

Articulating Bi-PAP Vent Tray E1030 \$1,450

**The addition of an articulating vent or Bi-PAP tray may increase the length & weight of your power chair.**

### U-1 (1) Battery Selection:

Yes E2365 \$133ea

No

Battery Tray K0108 \$450

Battery Box K0108  Yes \$50

No

-Available on Synergy Seat, TRU-Balance Power-Tilt, Recline, Tilt & Recline, and TRU-Comfort Seating Systems

-Available seat widths: 10" W - 24" W

-Adjustment Range for : 14.5" W Std. x 10.5" D - 15.5"D

-Adjustment Range for Bi-PAP: 9.5" W Std. x 9.5" D - 13.25"D

-N/A w/ Specialty Seat

-N/A w/ contoured seating

-N/A w/ a power elevating seat

-N/A with TRU-Balance Pediatric Power Tilt

-N/A w/ TRU-Balance Lift & Tilt

-N/A w/ endomorph / mesomorph back canes

-N/A rear mount accessories

-N/A Compact vent tray

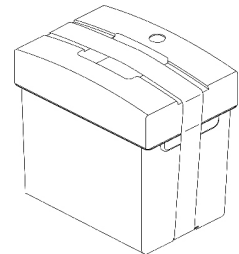
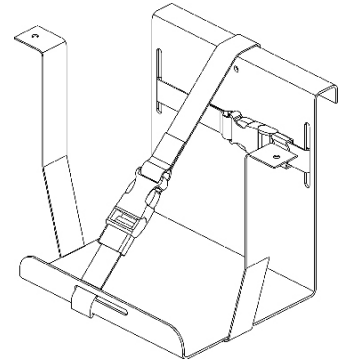
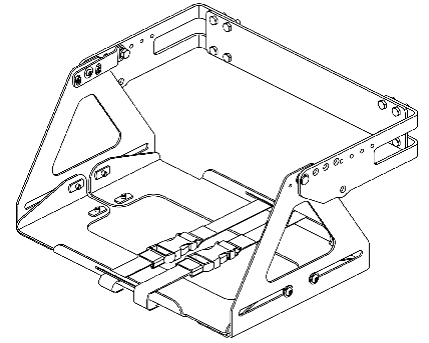
-N/A w/ an occupied Transit Kit

-N/A w/ stroller handles

-N/A w/ a sling back

-N/A w/ a full LED lighting package

-N/A w/ extended stem mounts



### Quantum Custom Delivery Service

Includes: liftgate service and delivery of your product(s) inside your facility  
Contact your Quantum Representative for details.

The information contained herein is correct at the time of publication; we reserve the right to alter specifications and pricing without prior notice.

**S P E C I F I E D   D I M E N S I O N S**

A. Seat Width

B. Lateral Offset

C. Hip/Thigh Lateral Offset

D. Center of Gravity  Optimized based on seat dimensions

E. Seat Depth

F. Back Height from Pan

G. Lateral Height from Pan

H. Armrest Height from Pan

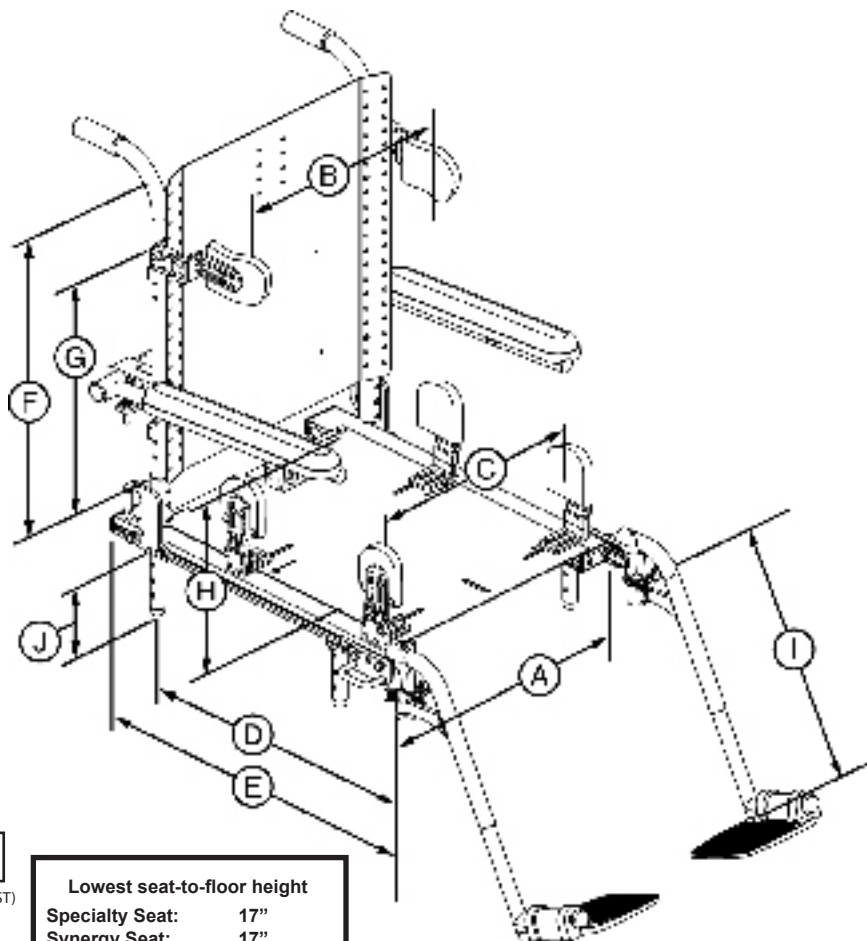
I. Rigging Length (whole numbers only)

J. Seat to Floor  (LOWEST)  (MIDDLE)  (HIGHEST)

Client Height

Client Weight

Clinician Notes \_\_\_\_\_  
 \_\_\_\_\_  
 \_\_\_\_\_



Lowest seat-to-floor height	
Specialty Seat:	17"
Synergy Seat:	17"
TB 2 Tilt:	18.5"
(w/ Ang-Adj towers)	
TB 2 Tilt:	17.625"
(w/ fixed towers towers)	
TB Recline:	17"
TB 2 Tilt/Recline:	18.5"
(w/ Ang-Adj towers)	
TB 2 Tilt/Recline:	17.625"
(w/ fixed towers towers)	
TB 2 SL Scissor Lift:	19.25"
(w/ fixed towers towers)	
High-back Seat:	21"

All measurements +/- 1/8" with 18" x 18" seat, fixed towers, 300 lbs. weight capacity and solid tires (add 3/8" with pneumatic tires). Increased widths may increase seat-to-floor height. Contact customer service for details. Listed measurements are in the lowest position. It does not include elevating systems.

\*While every effort will be taken to ensure that these items will be preset to your specifications prior to shipping, variations in options may effect final settings.